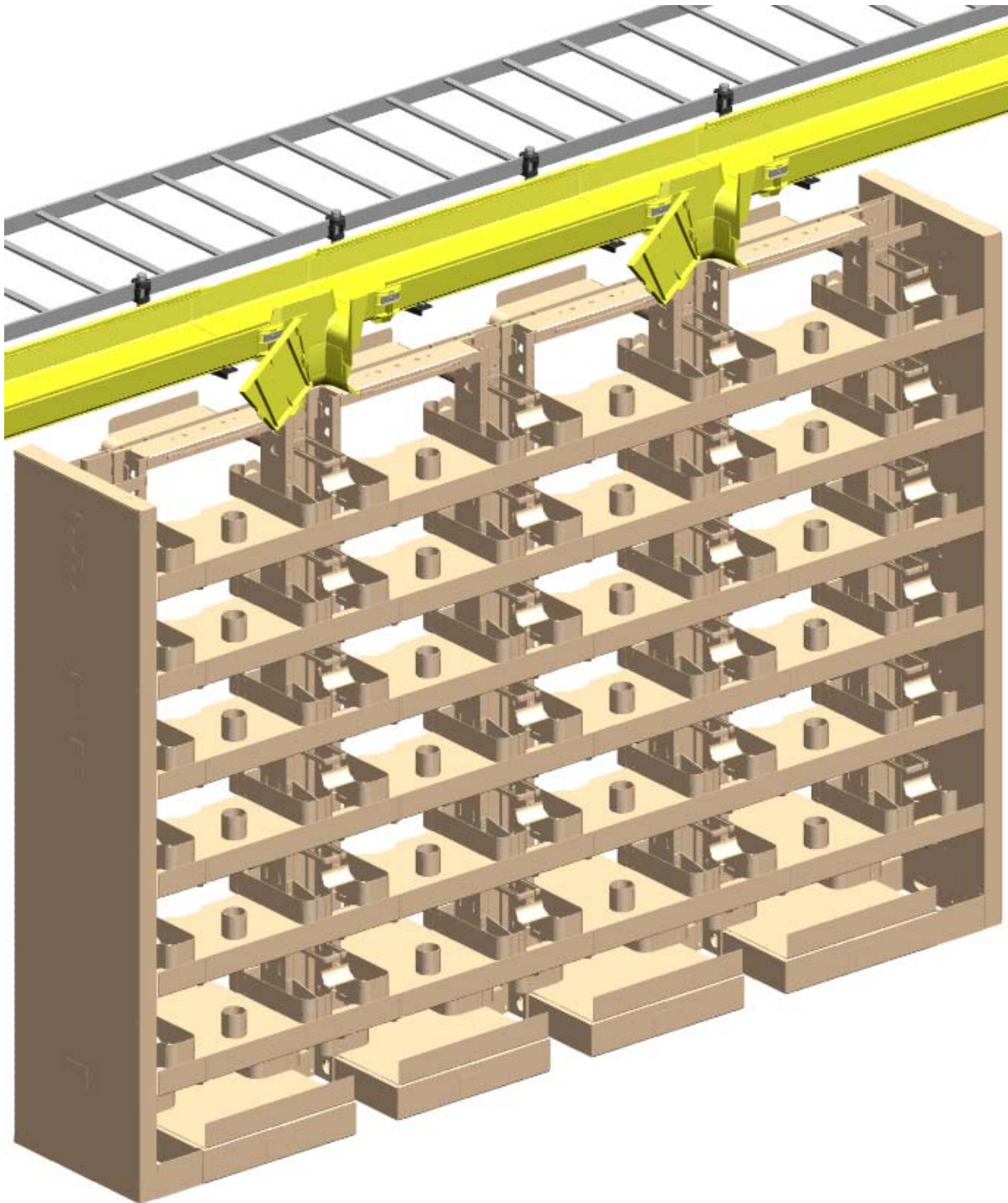


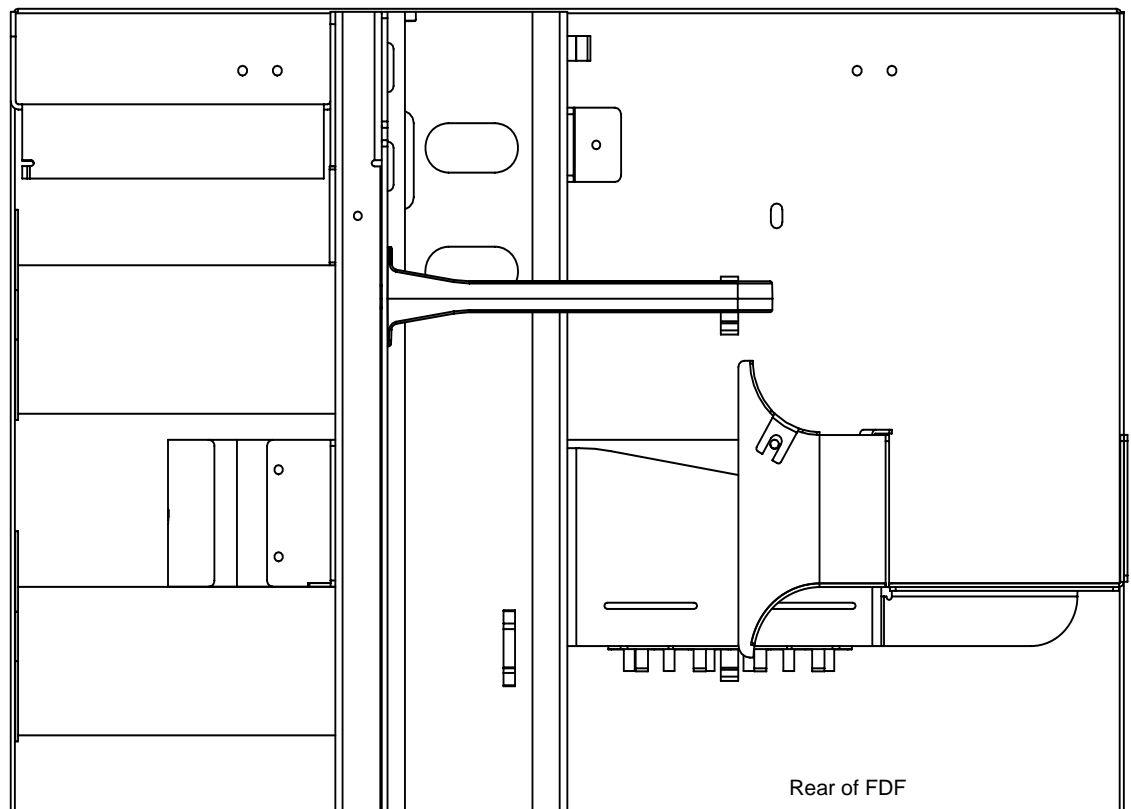
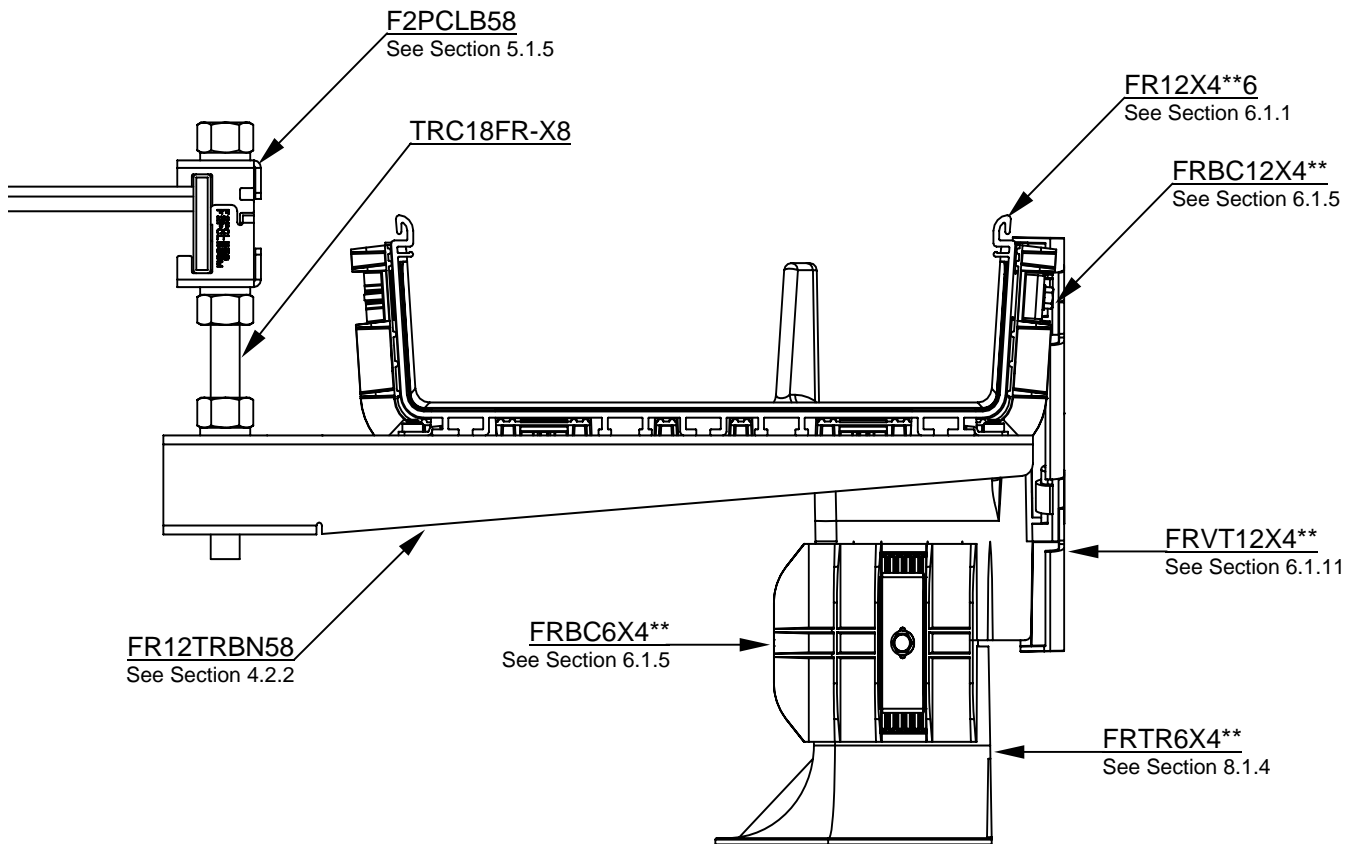
1. Distribution Frame Applications

1.1 FIBERRUNNER 12x4 Vertical Tees - Mounted to Ladder Rack Positioned Over the Maintenance Aisle

Depending on the amount of bays in the fiber distribution frame (FDF) line-up and the termination density on the fiber optic termination (FOT) bays, the PANDUIT FIBERRUNNER 6x4 and 12x4 Cable Routing Systems can be used to route jumper cables above the line-up. FIBERRUNNER channel used to protect jumper cables exiting the FDF line-up should be installed so that the transition from the horizontal pathway to the vertical cable manager on the FOT bay is as short and direct as possible. In addition, the transition, or spill-out should be positioned so that the jumper cables deployed within the pathway can be easily accessed from the wiring aisle.

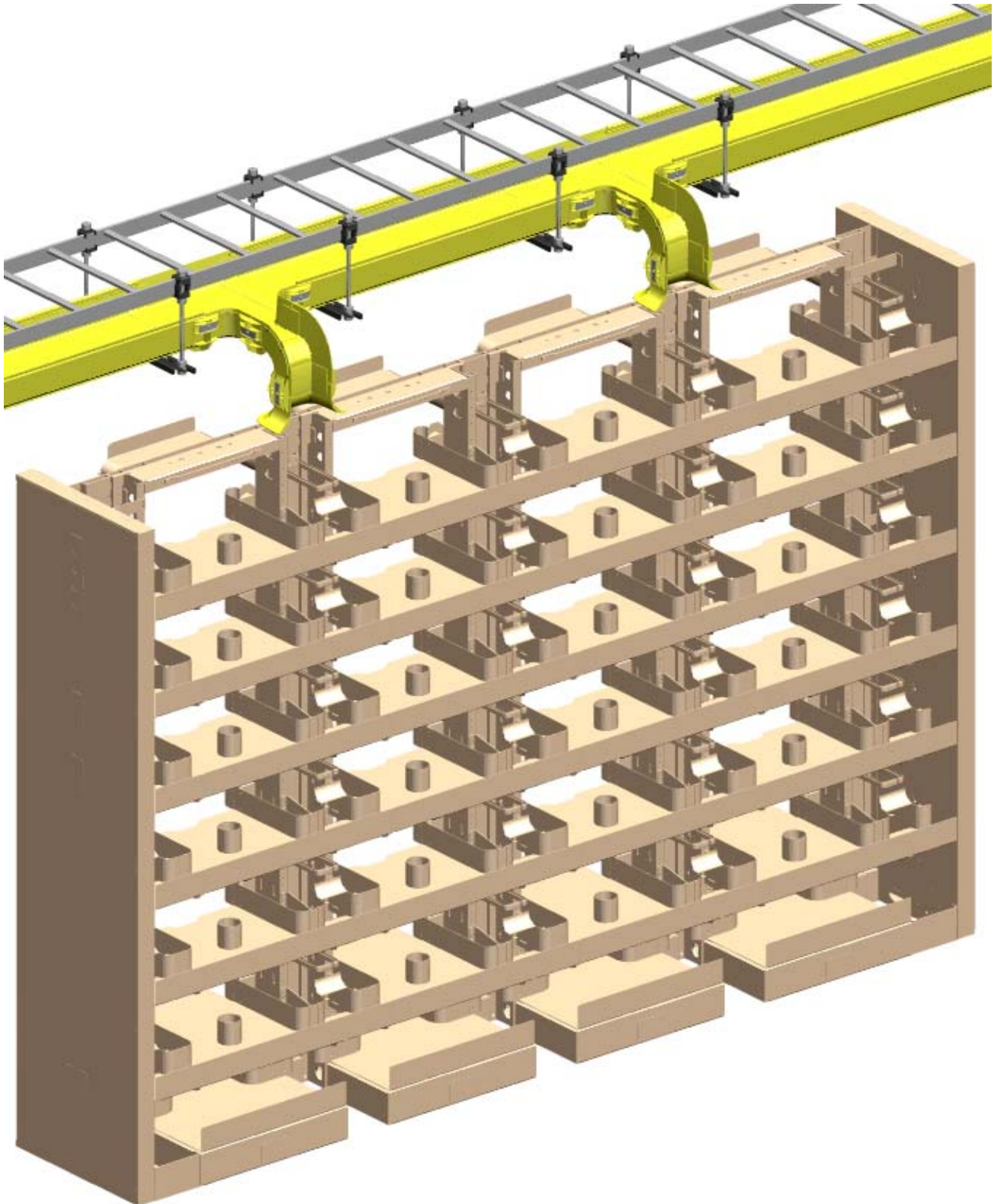


1.2 FIBERRUNNER 12x4 Vertical Tees - Mounted to Ladder Rack Positioned Over the Maintenance Aisle Detail

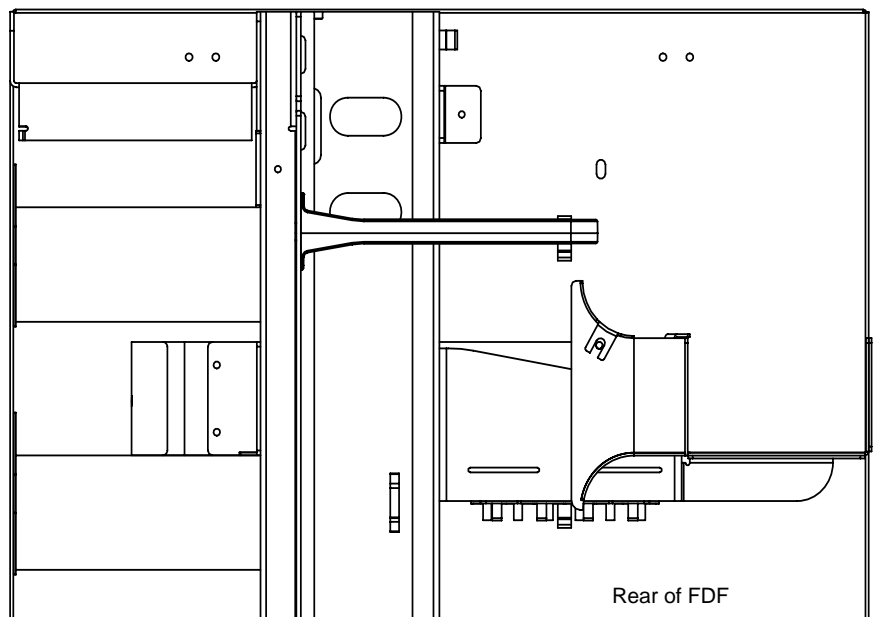
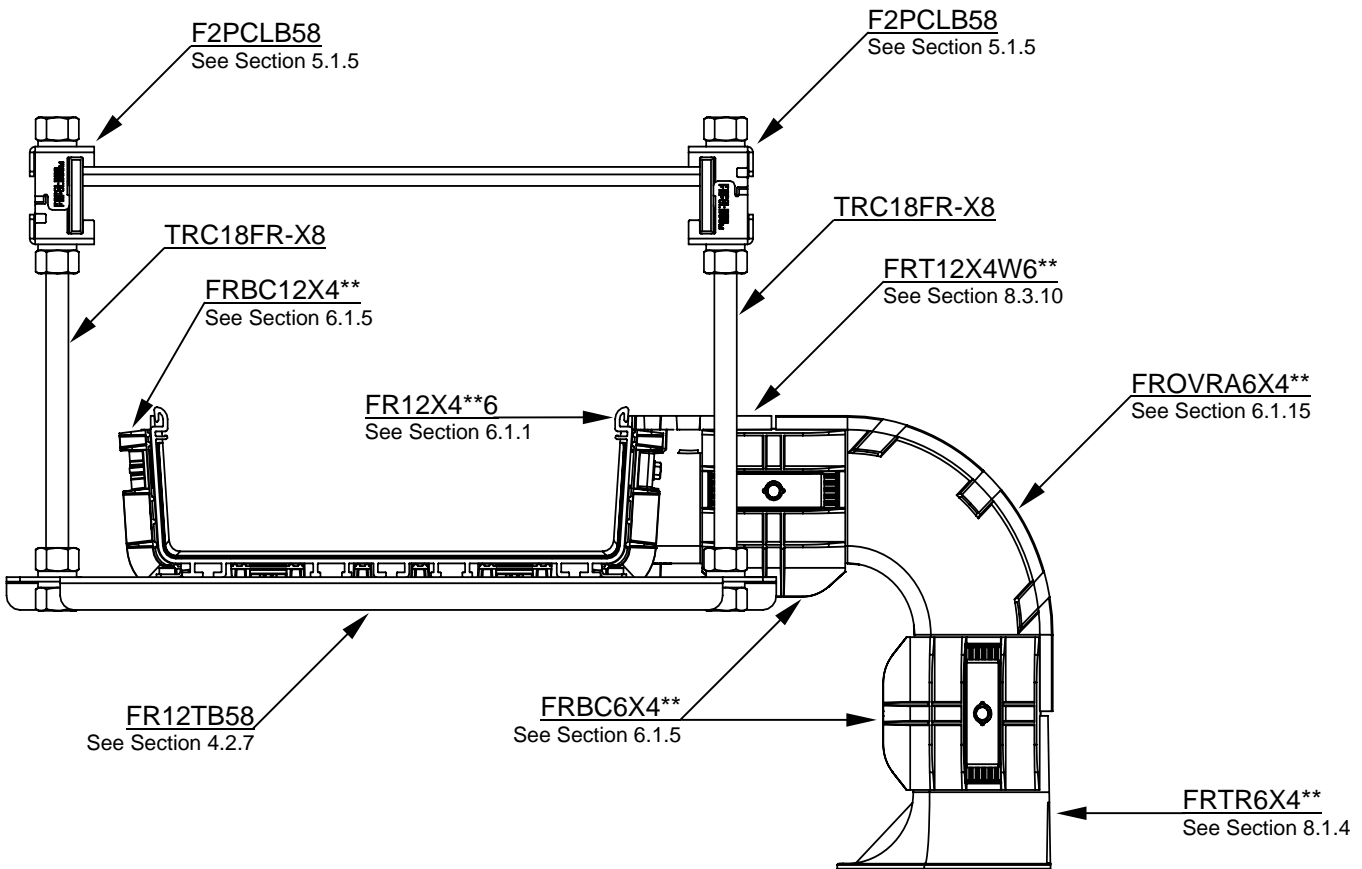


When ordering, replace the ** in the part number with YL for Yellow, OR for Orange or BL for Black

1.3 FIBERRUNNER 12x4 Horizontal Tees with 6" Exit - Mounted to Ladder Rack Positioned Over the Maintenance Aisle

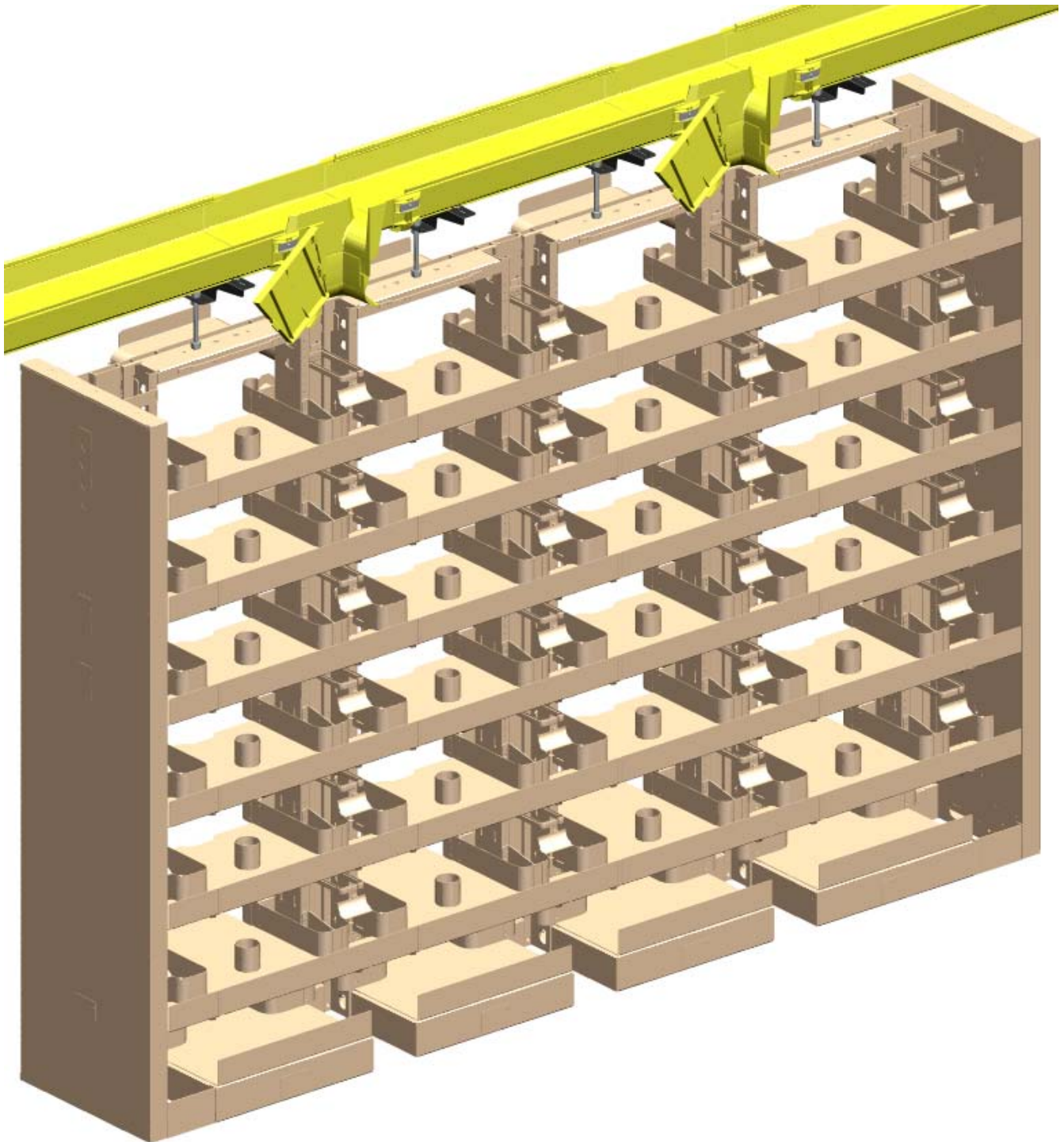


1.4 FIBERRUNNER 12x4 Horizontal Tees with 6" Exit - Mounted to Ladder Rack Positioned Over the Maintenance Aisle
Detail

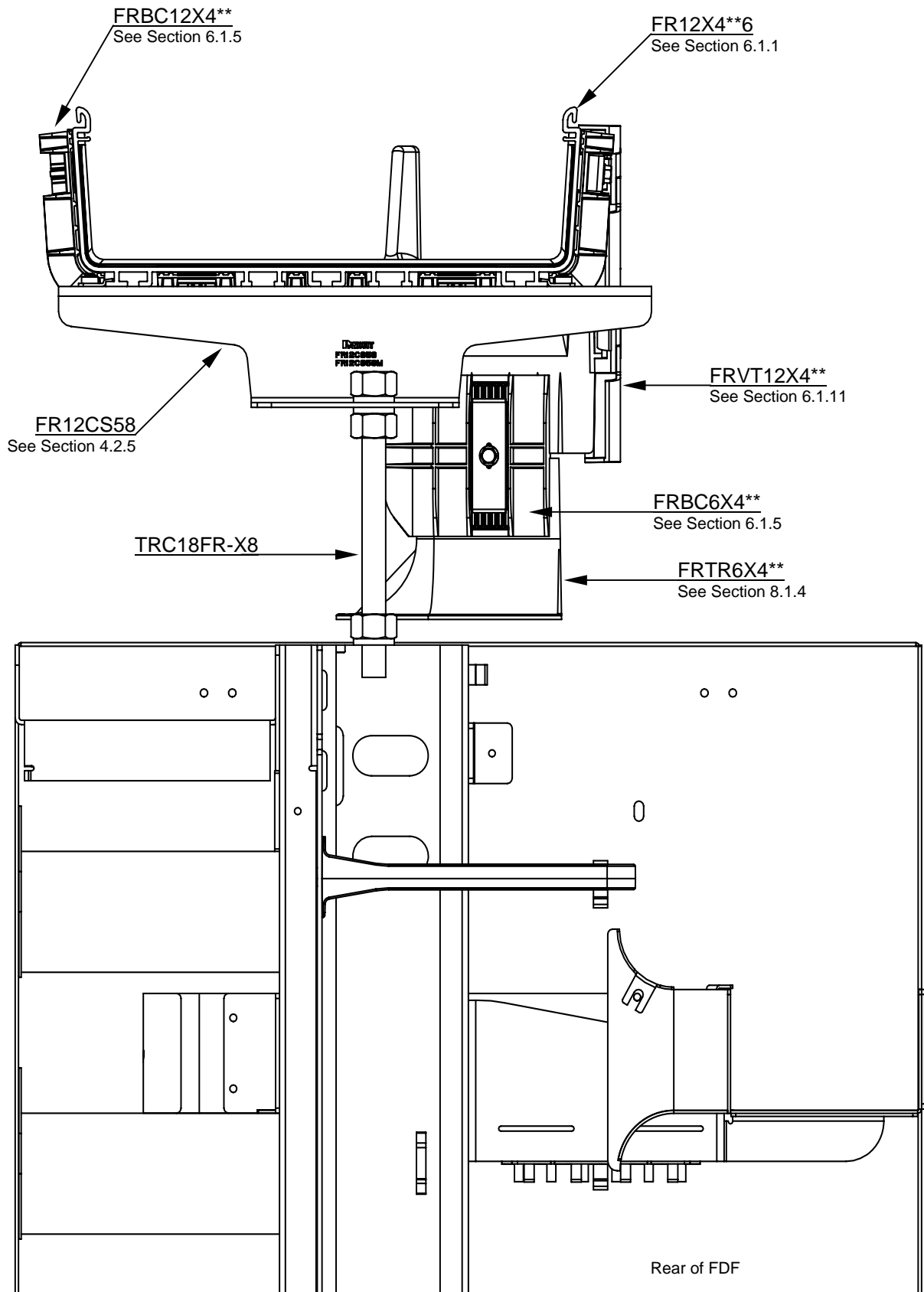


When ordering, replace the ** in the part number with YL for Yellow, OR for Orange or BL for Black

1.5 FIBERRUNNER 12x4 Vertical Tees - Mounted Directly to the Fiber Distribution Frame (FDF) Line-up



1.6 FIBERRUNNER 12x4 Vertical Tees - Mounted Directly to the Fiber Distribution Frame (FDF) Line-up Detail



When ordering, replace the ** in the part number with YL for Yellow, OR for Orange or BL for Black