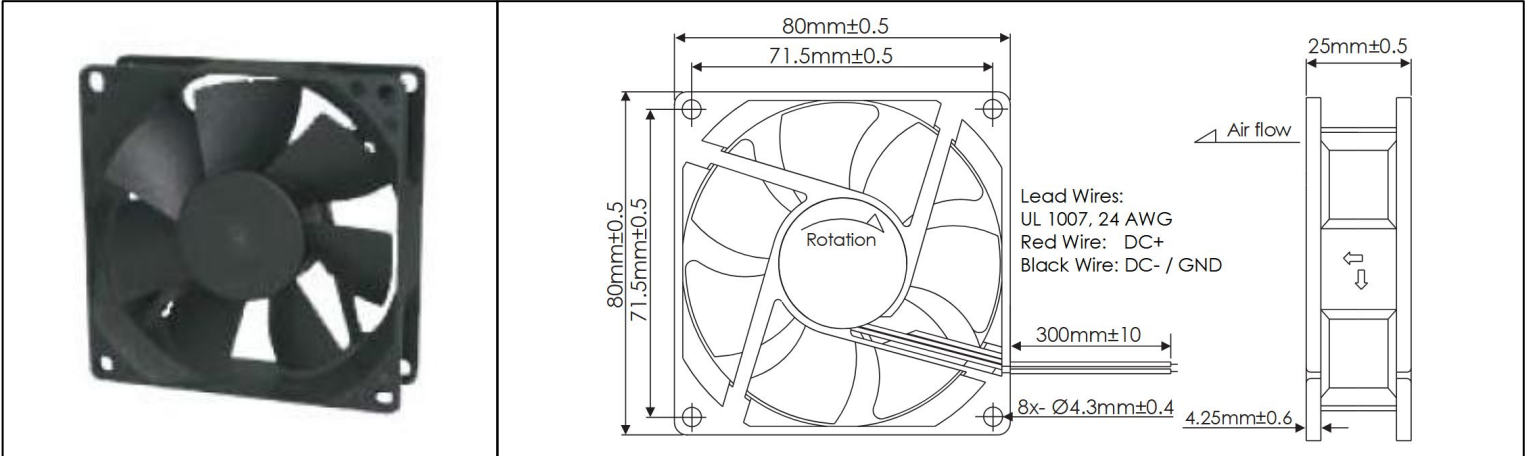


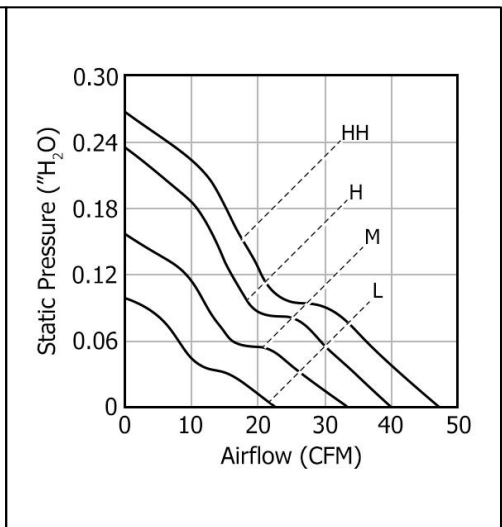
OD8025 Sealed Sleeve Bearing Series



DC Fans - 12, 24, 48V
80mm x 80mm x 25mm (3.15" x 1")



Frame	PBT, UL94 V-0 Plastic	Operating Temperature -20°C ~ +65°C Storage Temperature -25°C ~ +75°C Life Expectancy 45,000 Hours (L10 at 45°C) Available Options Tachometer Output Alarm Output PWM Speed Control Input Other Speeds Weight: 0.19 lbs
Impeller	PBT, UL94 V-0 Plastic	
Connection	2x Lead Wires, 24 AWG	
Motor	Brushless DC, Auto Restart, Auto Cutoff, Polarity Protected, Electronically Protected	
Bearing System	Sealed Sleeve Bearings	
Dielectric Strength	500VAC/min, < 1mA	
Insulation Resistance	≥10MΩ @ 500V DC	



Part Number	Rated Voltage (Volts DC)	Voltage Range (Volts DC)	Input Power (Watts)	Rated Current (Amps)	Rated Speed (RPM)	Airflow (CFM)	Noise Level (dBA)	Max. Static Pressure (H ₂ O)
OD8025-12HSS	12	8 ~ 13.8	2.2	0.18	3300	40.1	33	0.23
OD8025-24HSS	24	14 ~ 26.4	2.9	0.12	3300	40.1	33	0.23
OD8025-48HSS	48	34 ~ 52.8	3.8	0.07	3300	40.1	33	0.23