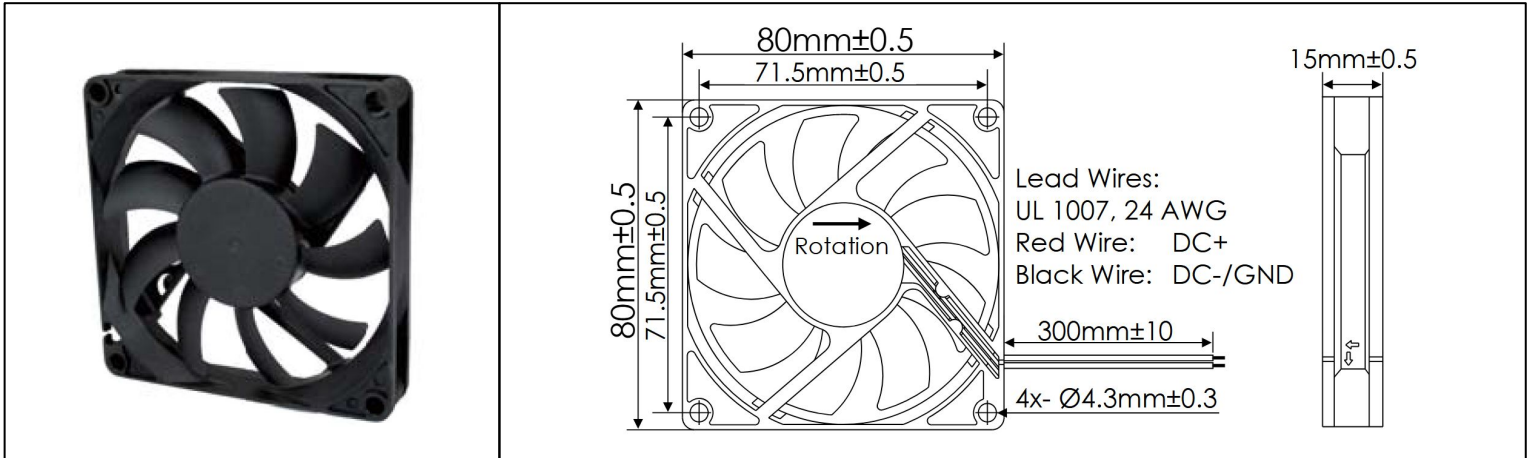


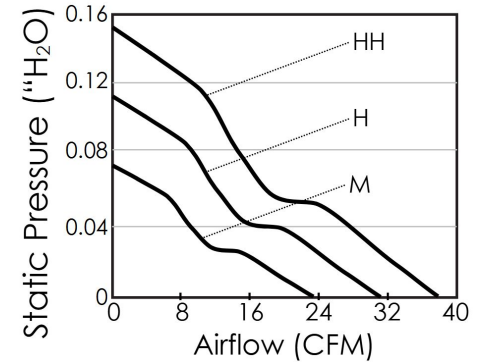
OD8015 Series



DC Fans - 5, 12, 24V
80mm x 15mm (3.15" x 0.6")



Frame	PBT, UL94 V-0 Plastic	Operating Temperature -20°C ~ +65°C Storage Temperature -20°C ~ +75°C Life Expectancy 50,000 Hours (L10 at 45°C) Available Options Tachometer Output Alarm Output PWM Speed Control Input IP Ratings Sealed Sleeve Bearings Weight: 0.17 lbs
Impeller	PBT, UL94 V-0 Plastic	
Connection	2x Lead Wires, 24 AWG	
Motor	Brushless DC, Auto Restart, Auto Cutoff, Polarity Protected, Electronically Protected	
Bearing System	Dual Ball Bearings	
Dielectric Strength	500VAC/min, <5mA	
Insulation Resistance	≥10MΩ @ 500V DC	



Part Number	Rated Voltage (Volts DC)	Voltage Range (Volts DC)	Input Power (Watts)	Rated Current (Amps)	Rated Speed (RPM)	Airflow (CFM)	Noise Level (dB)	Max. Static Pressure (\"H ₂ O)
OD8015-05HHB	5	4.5 ~ 5.5	1.4	0.28	3550	38	38.1	0.15
OD8015-05HB	5	4.5 ~ 5.5	1.0	0.20	3050	31	34.2	0.11
OD8015-05MB	5	4.5 ~ 5.5	0.8	0.15	2725	23	31.1	0.07
OD8015-12HHB	12	9 ~ 13.8	2.2	0.18	3550	38	38.1	0.15
OD8015-12HB	12	9 ~ 13.8	1.8	0.15	3050	31	34.2	0.11
OD8015-12MB	12	9 ~ 13.8	1.5	0.12	2725	23	31.1	0.07
OD8015-24HHB	24	15 ~ 26	2.9	0.12	3550	38	38.1	0.15
OD8015-24HB	24	15 ~ 26	2.4	0.10	3050	31	34.2	0.11
OD8015-24MB	24	15 ~ 26	1.9	0.08	2725	23	31.1	0.07