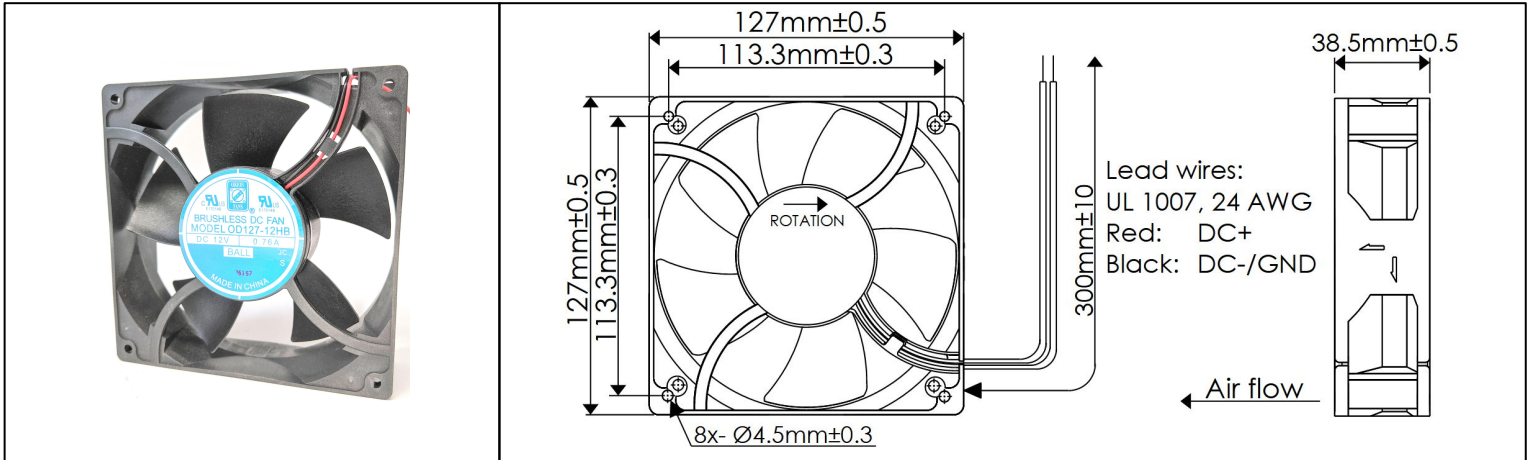


OD127 Series



DC Fans, 12, 24, 48V
127x38.5mm (5"x1.5")



Frame	PBT, UL94 V-0 plastic	Operating Temperature -10°C ~ +70°C		
Impeller	PBT, UL94 V-0 plastic			Storage Temperature -40°C ~ +70°C
Connection	2x Lead wires, 24 AWG	Life Expectancy 70,000 hours (L10 at 40°C)		
Motor	Brushless DC, Auto Restart, Auto Cutoff, Polarity Protected, Electronically Protected			Available Options Tachometer Output PWM Speed Control Alarm Output Thermistor Speed Control
Bearing System	Dual Ball Bearings	Weight: 0.82 lbs		
Dielectric Strength	500VAC/min, < 1mA			
Insulation Resistance	10M Ω between leadwires and frame (500 VDC)			

Part Number	Rated Voltage	Voltage Range	Input Power	Rated Current	Rated Speed (RPM)	Airflow (CFM)	Noise Level (dB)	Max. Static Pressure
OD127-12HHB	12 VDC	10 ~ 13.8 VDC	14.64 W	1.22 A	3490	173	59	0.51" H ₂ O
OD127-12HB	12 VDC	10 ~ 13.8 VDC	9.12 W	0.76 A	2925	144	54	0.37" H ₂ O
OD127-12MB	12 VDC	10 ~ 13.8 VDC	5.76 W	0.48 A	2485	122	49	0.27" H ₂ O
OD127-24HHB	24 VDC	21 ~ 26.4 VDC	14.64 W	0.61 A	3490	173	59	0.51" H ₂ O
OD127-24HB	24 VDC	21 ~ 26.4 VDC	9.84 W	0.41 A	2925	144	54	0.37" H ₂ O
OD127-24MB	24 VDC	21 ~ 26.4 VDC	6.24 W	0.26 A	2485	122	49	0.27" H ₂ O
OD127-48HHB	48 VDC	44 ~ 52.8 VDC	16.32 W	0.34 A	3490	173	59	0.51" H ₂ O
OD127-48HB	48 VDC	44 ~ 52.8 VDC	11.04 W	0.23 A	2925	144	54	0.37" H ₂ O
OD127-48MB	48 VDC	44 ~ 52.8 VDC	8.16 W	0.17 A	2485	122	49	0.27" H ₂ O