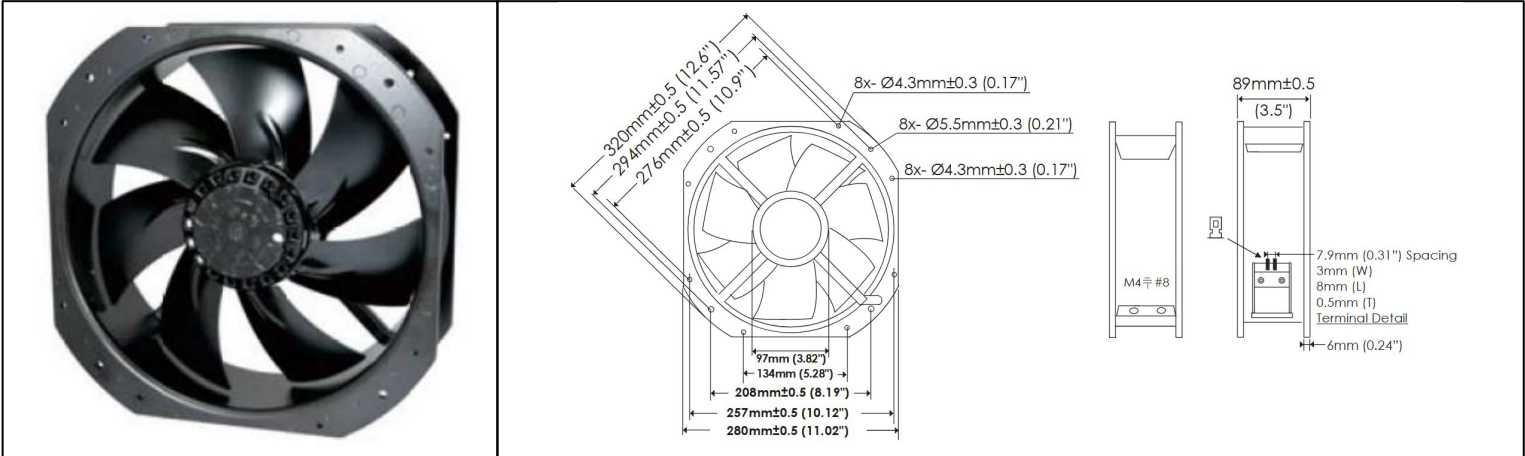


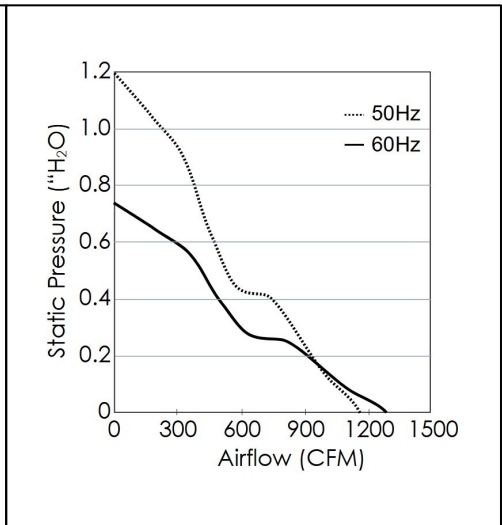
# OA280AP IP69K Series



AC Fan - 115V, 230V  
280x89mm (11"x3.5")



Frame	Die Cast Aluminum, Black	<b>Operating Temperature</b> -30°C ~ +80°C  <b>Storage Temperature</b> -40°C ~ +100°C  <b>Life Expectancy</b> 50,000 hours (L10 at 55°C)  Weight: 7.4 lbs
Impeller	Steel, All Metal	
Connection	Lead wires 18 AWG, or Terminals	
Motor	AC, Capacitor Induction, Outer Rotor, Single Phase, Thermally Protected, IP69K	
Bearing System	Dual Ball Bearings	
Dielectric Strength	1500VAC/min, < 1mA	
Insulation Resistance	Over 100MΩ at 500V DC	



Part Number	Rated Voltage	Input Power	Frequency	Rated Speed (RPM)	Airflow (CFM)	Noise Level (dB)	Max. Static Pressure
OA280AP-11-1*B1869K	115 VAC	210 W	60 Hz	3200	1300	73	0.75" H <sub>2</sub> O
OA280AP-22-1*B1869K	230 VAC	210 W	60 Hz	3200	1300	73	0.75" H <sub>2</sub> O

\*Use T for Terminal, or W for Lead Wires