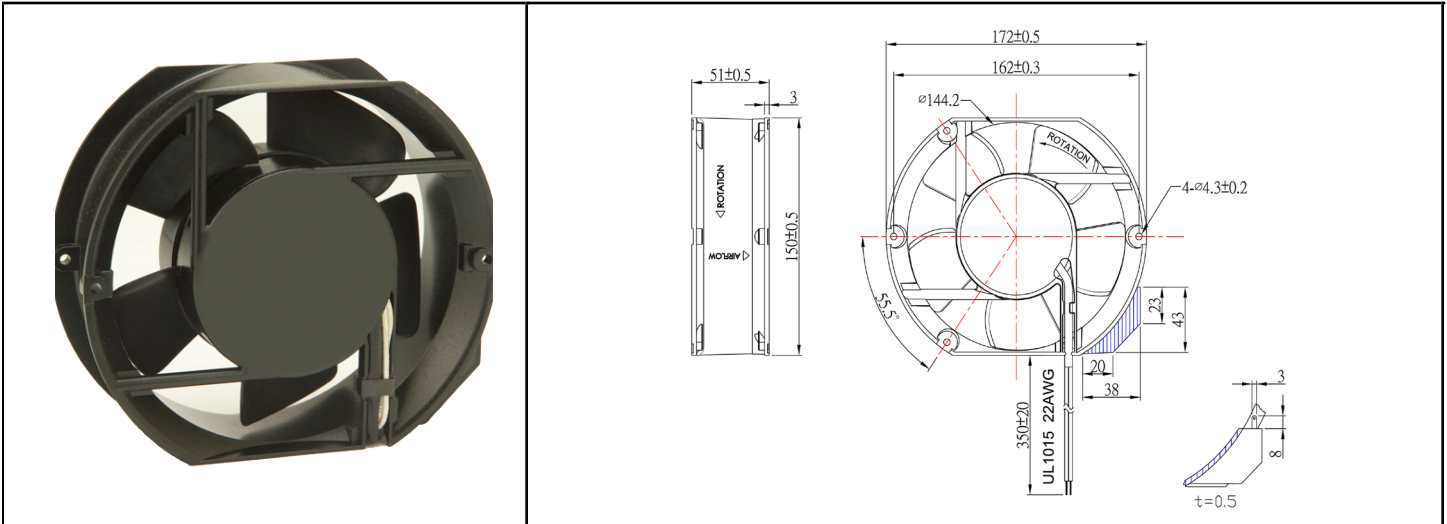


# OA172EC IP68-ATEX Series



EC Fan - 115V, 230V  
172x150x51mm (6.7"x2.0")



Frame	Aluminum (ADC-12)	<p><u>Operating Temperature</u> Ball Bearing -20C ~ +70C</p> <p><u>Life Expectancy</u> Ball Bearing 50,000 hours (L10 at 40C)</p> <p>IP68 rating with ATEX Certification</p> <p>Weight 1.54 lbs</p> <p>m2</p>	
Impeller	PBT, UL94V-O plastic		
Connection	2x Lead wires,(350mm) or Terminals		
Motor	EC Motor, electronically protected		
Bearing System	Dual ball		
Insulation Resistance	10M ohm between leadwire and frame (500VDC)		
Dielectric Strength	1 sec at 1800 VAC, 50/60Hz		

Model Number	OA172EC-11-1*IP68A	OA172EC-22-1*IP68A
Nominal Voltage	115 VAC (50/60Hz)	230 VAC (50/60Hz)
Voltage Range	103 ~ 127 VAC (50/60Hz)	207 ~ 253 VAC (50/60Hz)
Rated Current	0.23 A	0.13 A
Nominal Power	15 W	15 W
Rated Speed (RPM)	3000	3000
Airflow (CFM)	220	220
Noise Level (dB)	57	57
Max. Static Pressure	0.62" H <sub>2</sub> O	0.62" H <sub>2</sub> O

\* Indicate "TB" (Terminal Ball Bearing, "WB" (13.78" Wire Leads, Ball Bearing