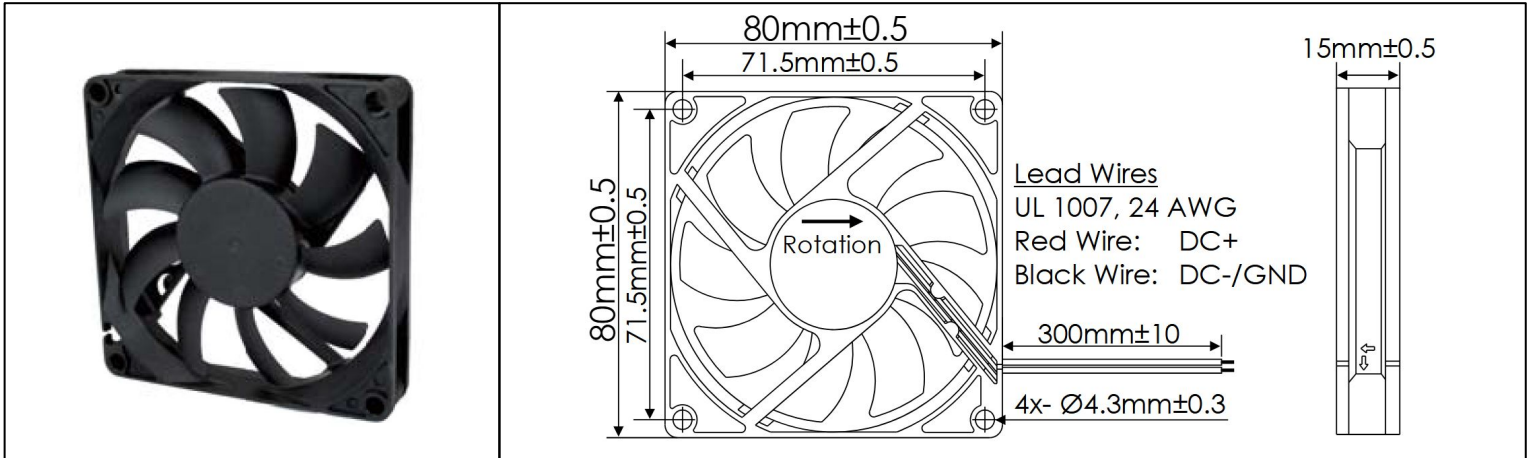


# OD8015 Series



DC Fans - 5, 12, 24V  
80mm x 15mm (3.15" x 0.6")



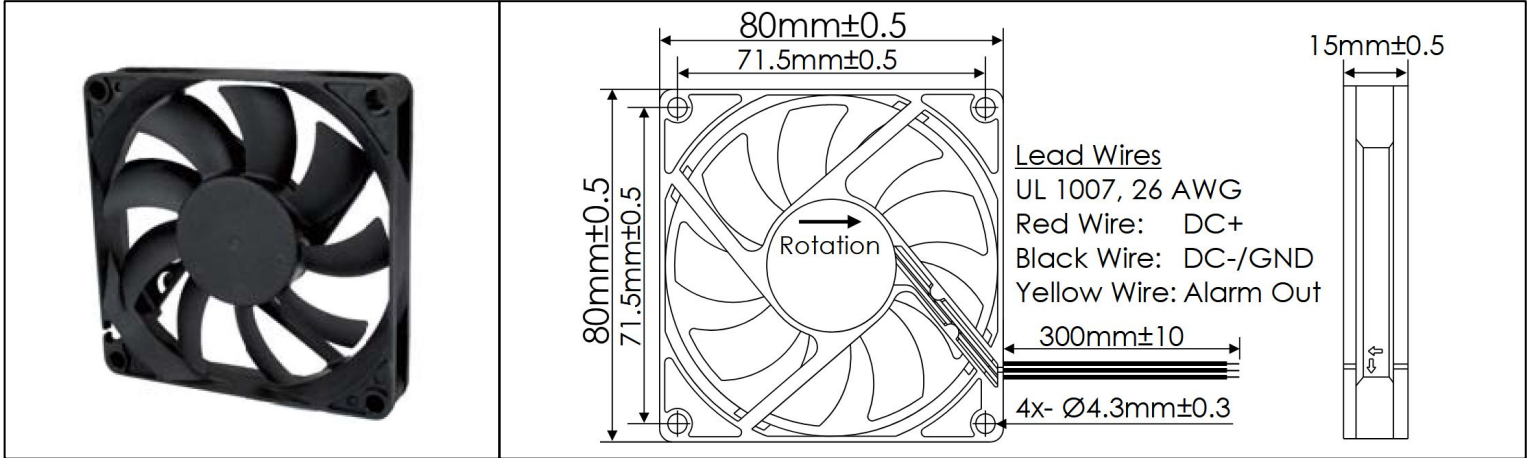
<b>Frame</b>	PBT, UL94 V-0 Plastic	<b>Operating Temperature</b> -20°C ~ +65°C  <b>Storage Temperature</b> -20°C ~ +75°C  <b>Life Expectancy</b> 70,000 Hours (L10 at 40°C)  <b>Available Options</b> Tachometer Output Alarm Output PWM Speed Control Input IP Ratings Sealed Sleeve Bearings  Weight: 0.17 lbs	
<b>Impeller</b>	PBT, UL94 V-0 Plastic		
<b>Connection</b>	2x Lead Wires, 24 AWG		
<b>Motor</b>	Brushless DC, Auto Cutoff, Auto Restart, Polarity Protected, Electronically Protected		
<b>Bearing System</b>	Ball Bearings		
<b>Dielectric Strength</b>	500VDC/min, <5mA		
<b>Insulation Resistance</b>	≥10MΩ @ 500V DC		

Part Number	Rated Voltage (Volts DC)	Voltage Range (Volts DC)	Input Power (Watts)	Rated Current (Amps)	Rated Speed (RPM)	Max Airflow (CFM)	Noise Level (dBA)	Max Static Pressure (\"H <sub>2</sub> O)
OD8015-05HHB	5	4.5 ~ 5.5	1.4	0.28	3550	38	38.1	0.15
OD8015-05HB	5	4.5 ~ 5.5	1.0	0.20	3050	31	34.2	0.11
OD8015-05MB	5	4.5 ~ 5.5	0.8	0.15	2725	23	31.1	0.07
OD8015-12HHB	12	9 ~ 13.8	2.2	0.18	3550	38	38.1	0.15
OD8015-12HB	12	9 ~ 13.8	1.8	0.15	3050	31	34.2	0.11
OD8015-12MB	12	9 ~ 13.8	1.5	0.12	2725	23	31.1	0.07
OD8015-24HHB	24	15 ~ 26	2.9	0.12	3550	38	38.1	0.15
OD8015-24HB	24	15 ~ 26	2.4	0.10	3050	31	34.2	0.11
OD8015-24MB	24	15 ~ 26	1.9	0.08	2725	23	31.1	0.07

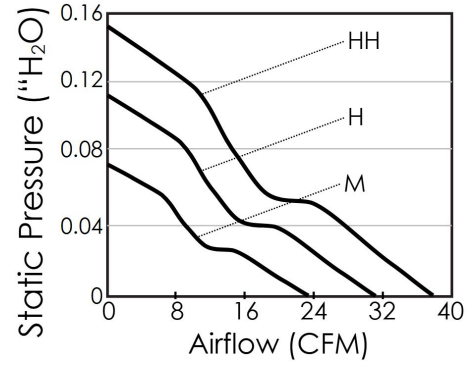
# OD8015 Series with Alarm



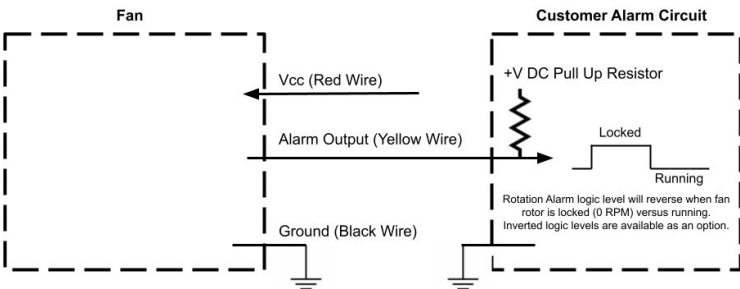
DC Fans - 5, 12, 24V  
80mm x 15mm (3.15" x 0.6")



<b>Frame</b>	PBT, UL94 V-0 Plastic	<b>Operating Temperature</b> -20°C ~ +65°C  <b>Storage Temperature</b> -20°C ~ +75°C  <b>Life Expectancy</b> 70,000 Hours (L10 at 40°C)  <b>Installed Options</b> Open Collector Alarm Output  <b>Available Options</b> 5V TTL Alarm Output Inverted Alarm Logic States  <b>Weight:</b> 0.17 lbs
<b>Impeller</b>	PBT, UL94 V-0 Plastic	
<b>Connection</b>	3x Lead Wires, 26 AWG	
<b>Motor</b>	Brushless DC, Auto Cutoff, Auto Restart, Polarity Protected, Electronically Protected	
<b>Bearing System</b>	Ball Bearings	
<b>Dielectric Strength</b>	500VDC/min, <5mA	
<b>Insulation Resistance</b>	≥10MΩ @ 500V DC	



Part Number	Rated Voltage (Volts DC)	Voltage Range (Volts DC)	Input Power (Watts)	Rated Current (Amps)	Rated Speed (RPM)	Max Airflow (CFM)	Noise Level (dBA)	Max Static Pressure ("H <sub>2</sub> O)
OD8015-05HHB02A	5	4.5 ~ 5.5	1.4	0.28	3550	38	38.1	0.15
OD8015-05HB02A	5	4.5 ~ 5.5	1.0	0.20	3050	31	34.2	0.11
OD8015-05MB02A	5	4.5 ~ 5.5	0.8	0.15	2725	23	31.1	0.07
OD8015-12HHB02A	12	9 ~ 13.8	2.2	0.18	3550	38	38.1	0.15
OD8015-12HB02A	12	9 ~ 13.8	1.8	0.15	3050	31	34.2	0.11
OD8015-12MB02A	12	9 ~ 13.8	1.5	0.12	2725	23	31.1	0.07
OD8015-24HHB02A	24	15 ~ 26	2.9	0.12	3550	38	38.1	0.15
OD8015-24HB02A	24	15 ~ 26	2.4	0.10	3050	31	34.2	0.11
OD8015-24MB02A	24	15 ~ 26	1.9	0.08	2725	23	31.1	0.07

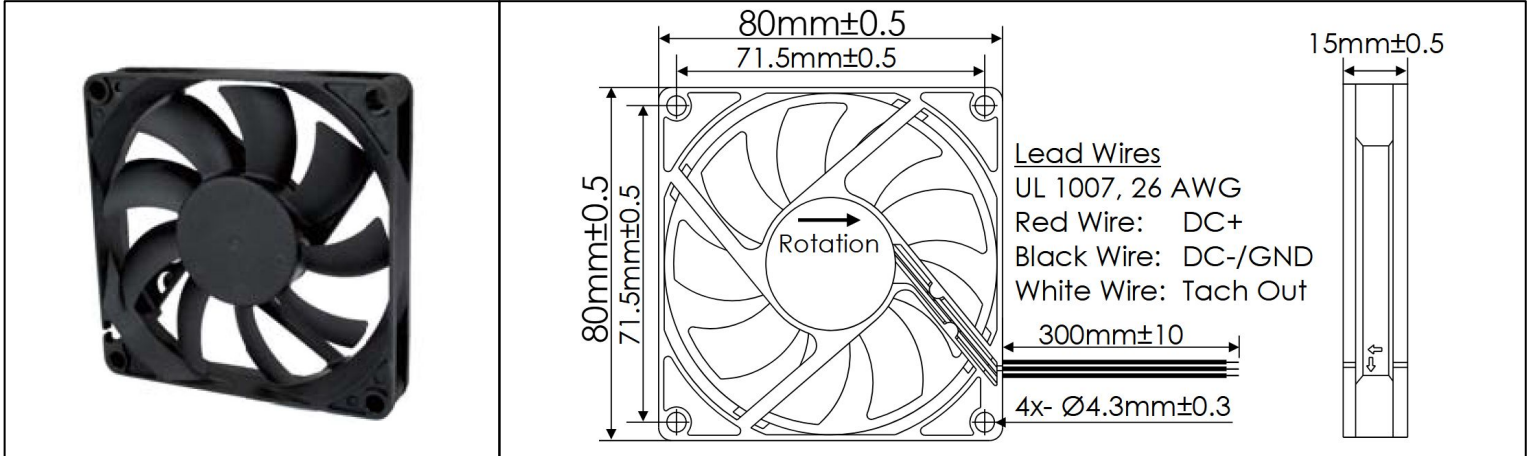


Alarm Max Pullup Voltage: Fan Vcc  
 Alarm Max Sink Current: 8mA  
 Alarm Active Logic State: HIGH

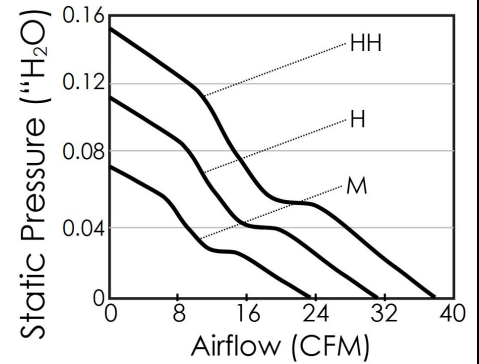
# OD8015 Series with Tach



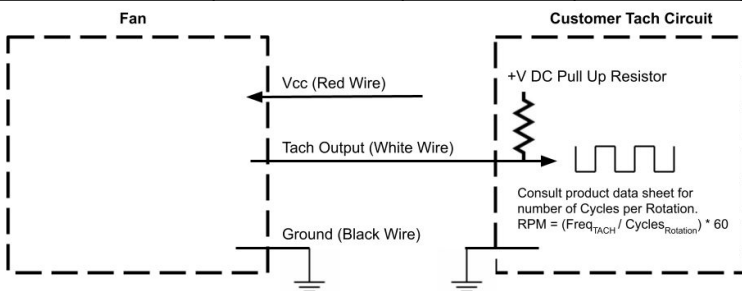
DC Fans - 5, 12, 24V  
80mm x 15mm (3.15" x 0.6")



<b>Frame</b>	PBT, UL94 V-0 Plastic	<b>Operating Temperature</b> -20°C ~ +65°C  <b>Storage Temperature</b> -20°C ~ +75°C  <b>Life Expectancy</b> 70,000 Hours (L10 at 40°C)  <b>Installed Options</b> Open Collector Tach Output  <b>Available Options</b> 5V TTL Tach Output  <b>Weight:</b> 0.17 lbs
<b>Impeller</b>	PBT, UL94 V-0 Plastic	
<b>Connection</b>	3x Lead Wires, 26 AWG	
<b>Motor</b>	Brushless DC, Auto Cutoff, Auto Restart, Polarity Protected, Electronically Protected	
<b>Bearing System</b>	Ball Bearings	
<b>Dielectric Strength</b>	500VDC/min, <5mA	
<b>Insulation Resistance</b>	≥10MΩ @ 500V DC	



Part Number	Rated Voltage (Volts DC)	Voltage Range (Volts DC)	Input Power (Watts)	Rated Current (Amps)	Rated Speed (RPM)	Max Airflow (CFM)	Noise Level (dBA)	Max Static Pressure ("H <sub>2</sub> O)
OD8015-05HHB01A	5	4.5 ~ 5.5	1.4	0.28	3550	38	38.1	0.15
OD8015-05HB01A	5	4.5 ~ 5.5	1.0	0.20	3050	31	34.2	0.11
OD8015-05MB01A	5	4.5 ~ 5.5	0.8	0.15	2725	23	31.1	0.07
OD8015-12HHB01A	12	9 ~ 13.8	2.2	0.18	3550	38	38.1	0.15
OD8015-12HB01A	12	9 ~ 13.8	1.8	0.15	3050	31	34.2	0.11
OD8015-12MB01A	12	9 ~ 13.8	1.5	0.12	2725	23	31.1	0.07
OD8015-24HHB01A	24	15 ~ 26	2.9	0.12	3550	38	38.1	0.15
OD8015-24HB01A	24	15 ~ 26	2.4	0.10	3050	31	34.2	0.11
OD8015-24MB01A	24	15 ~ 26	1.9	0.08	2725	23	31.1	0.07



Tach Max Pullup Voltage: Fan Vcc  
 Tach Max Sink Current: 8mA  
 Tach Cycles per Revolution: 2