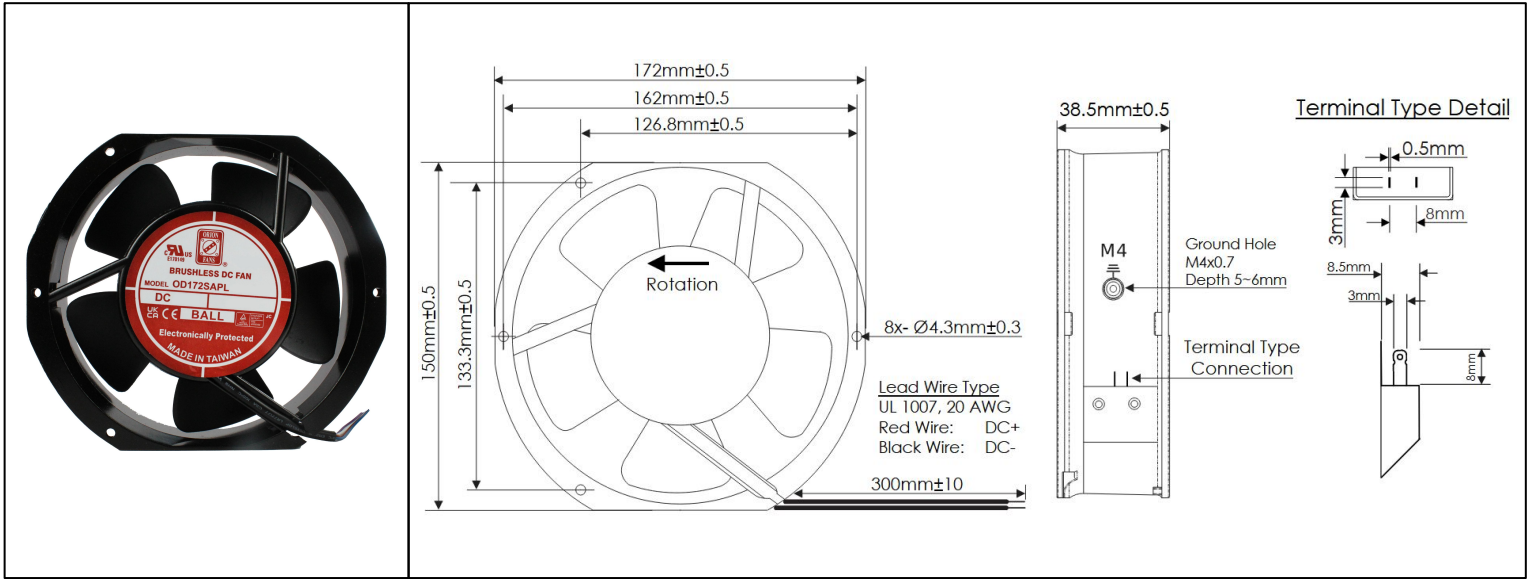


OD172SAPL Series



DC Fans - 12, 24, 48V
172 x 150 x 38.5mm (6.7" x 5.9" x 1.5")



Frame	Die Cast Aluminum, Black Finish	<p>Operating Temperature -20°C ~ +65°C</p> <p>Storage Temperature -20°C ~ +75°C</p> <p>Life Expectancy 90,000 Hours (L10 at 35°C)</p> <p>Available Options PWM Speed Control Input Tachometer Output IP Ratings</p> <p>Weight: 1.7 lbs.</p>	
Impeller	PBT, UL94 V-0 Plastic		
Connection	2x Wire Leads, 20 AWG, or Terminals		
Motor	Brushless DC, Auto Cutoff, Auto Restart, Electronically Protected, Polarity Protected		
Bearing System	Ball Bearings		
Dielectric Strength	500VDC/min, <1mA		
Insulation Resistance	≥10MΩ @ 500VDC		

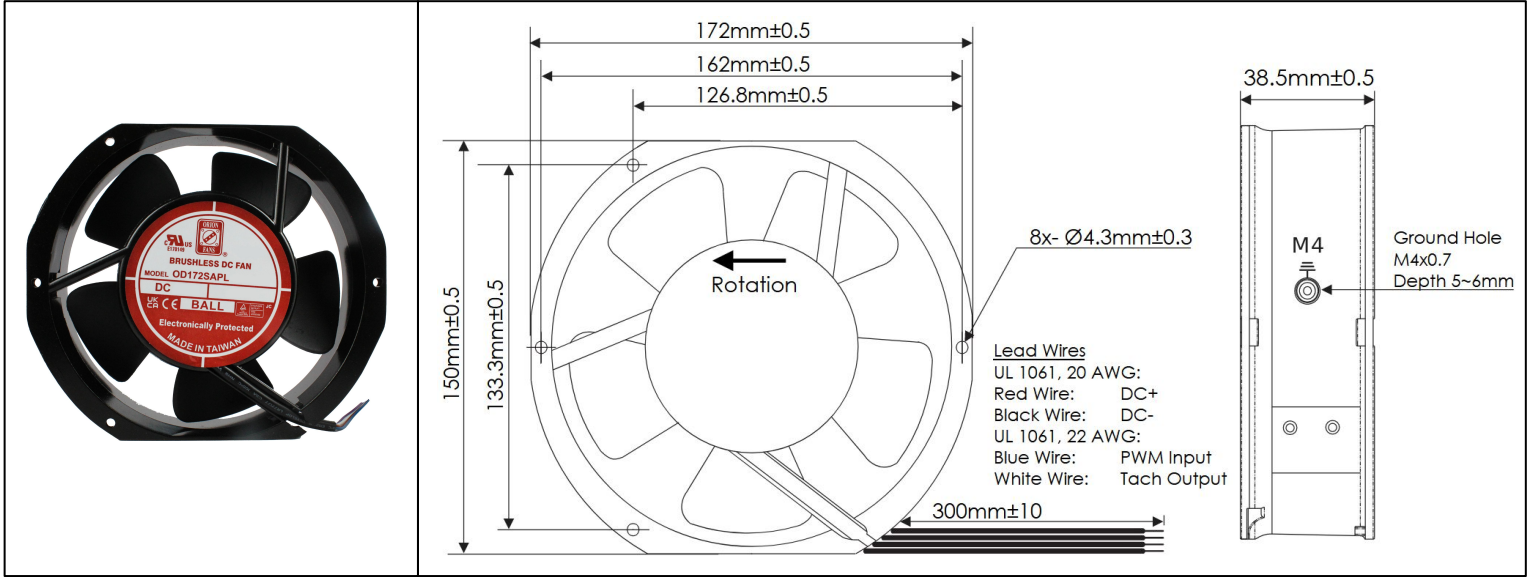
Part Number	Rated Voltage (Volts DC)	Voltage Range (Volts DC)	Input Power (Watts)	Rated Current (Amps)	Rated Speed (RPM)	Max Airflow (CFM)	Noise Level (dBA)	Max Static Pressure (\"H ₂ O)
OD172SAPL-12H*B	12	10 ~ 13.8	22.8	1.90	3950	224.2	55.3	0.73
OD172SAPL-12M*B	12	10 ~ 13.8	13.2	1.10	3225	188.6	45.7	0.51
OD172SAPL-12L*B	12	10 ~ 13.8	5.40	0.45	1950	120.0	40.1	0.35
OD172SAPL-24H*B	24	22 ~ 26.4	23.3	0.97	3950	224.2	55.3	0.73
OD172SAPL-24M*B	24	22 ~ 26.4	12.5	0.52	3225	188.6	45.7	0.51
OD172SAPL-24L*B	24	22 ~ 26.4	4.80	0.20	1950	120.0	40.1	0.35
OD172SAPL-48H*B	48	40 ~ 52.0	23.0	0.48	3950	224.2	55.3	0.73
OD172SAPL-48M*B	48	40 ~ 52.0	14.4	0.30	3225	188.6	45.7	0.51
OD172SAPL-48L*B	48	40 ~ 52.0	5.76	0.12	1950	120.0	40.1	0.35

* Substitute "T" for Terminal power connection type, or "W" for Lead Wire power connection type.

OD172SAPL Series with Tach and PWM

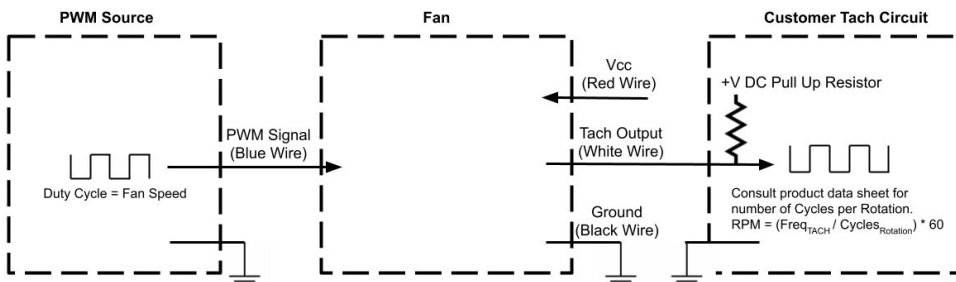


DC Fans - 12, 24, 48V
172 x 150 x 38.5mm (6.7" x 5.9" x 1.5")



Frame	Die Cast Aluminum, Black Finish	Operating Temperature -20°C ~ +65°C Storage Temperature -20°C ~ +75°C Life Expectancy 90,000 Hours (L10 at 35°C)	
Impeller	PBT, UL94 V-0 Plastic		
Connection	4x Wire Leads, 20/22 AWG	Installed Options PWM Speed Control Input Open Collector Tach Output	Weight: 1.7 lbs.
Motor	Brushless DC, Auto Cutoff, Auto Restart, Electronically Protected, Polarity Protected		
Bearing System	Ball Bearings		
Dielectric Strength	500VDC/min, <1mA		
Insulation Resistance	≥10MΩ @ 500VDC		

Part Number	Rated Voltage (Volts DC)	Voltage Range (Volts DC)	Input Power (Watts)	Rated Current (Amps)	Rated Speed (RPM)	Max Airflow (CFM)	Noise Level (dBA)	Max Static Pressure ("H ₂ O)
OD172SAPL-12HB10A	12	10 ~ 13.8	22.8	1.90	3950	224.2	55.3	0.73
OD172SAPL-12MB10A	12	10 ~ 13.8	13.2	1.10	3225	188.6	45.7	0.51
OD172SAPL-12LB10A	12	10 ~ 13.8	5.40	0.45	1950	120.0	40.1	0.35
OD172SAPL-24HB10A	24	22 ~ 26.4	23.3	0.97	3950	224.2	55.3	0.73
OD172SAPL-24MB10A	24	22 ~ 26.4	12.5	0.52	3225	188.6	45.7	0.51
OD172SAPL-24LB10A	24	22 ~ 26.4	4.80	0.20	1950	120.0	40.1	0.35
OD172SAPL-48HB10A	48	40 ~ 52.0	23.0	0.48	3950	224.2	55.3	0.73
OD172SAPL-48MB10A	48	40 ~ 52.0	14.4	0.30	3225	188.6	45.7	0.51
OD172SAPL-48LB10A	48	40 ~ 52.0	5.76	0.12	1950	120.0	40.1	0.35



PWM Max High Voltage: 5V
 PWM Max Sink Current: 5mA
 PWM Frequency Range: 1KHz-100KHz
 PWM Typical Frequency: 25KHz
 RPM at 0% Duty Cycle: 0 RPM
 RPM if PWM disconnect: Max
 Tach Max Pullup Voltage: Fan Vcc
 Tach Max Sink Current: 5mA
 Tach Cycles per Rotation: 2