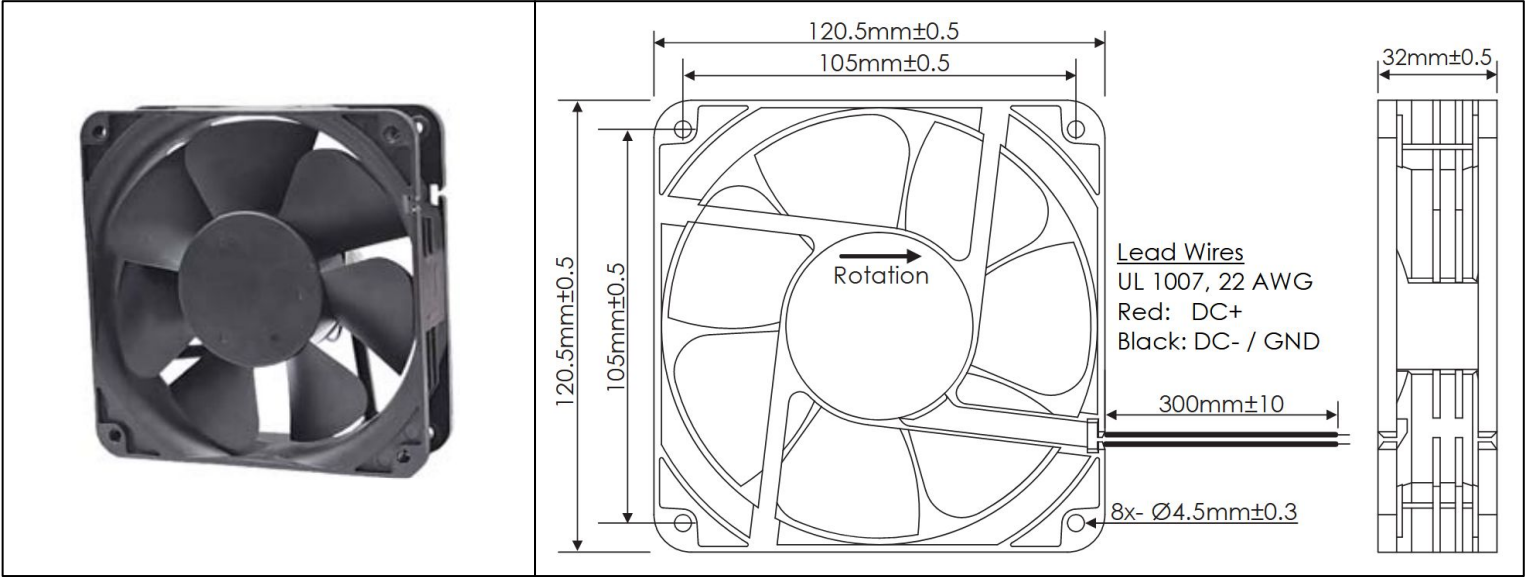


OD1232 Series



DC Fans - 12, 24, 48V
120.5mm x 120.5mm x 32mm
(4.75" x 4.75" x 1.26")



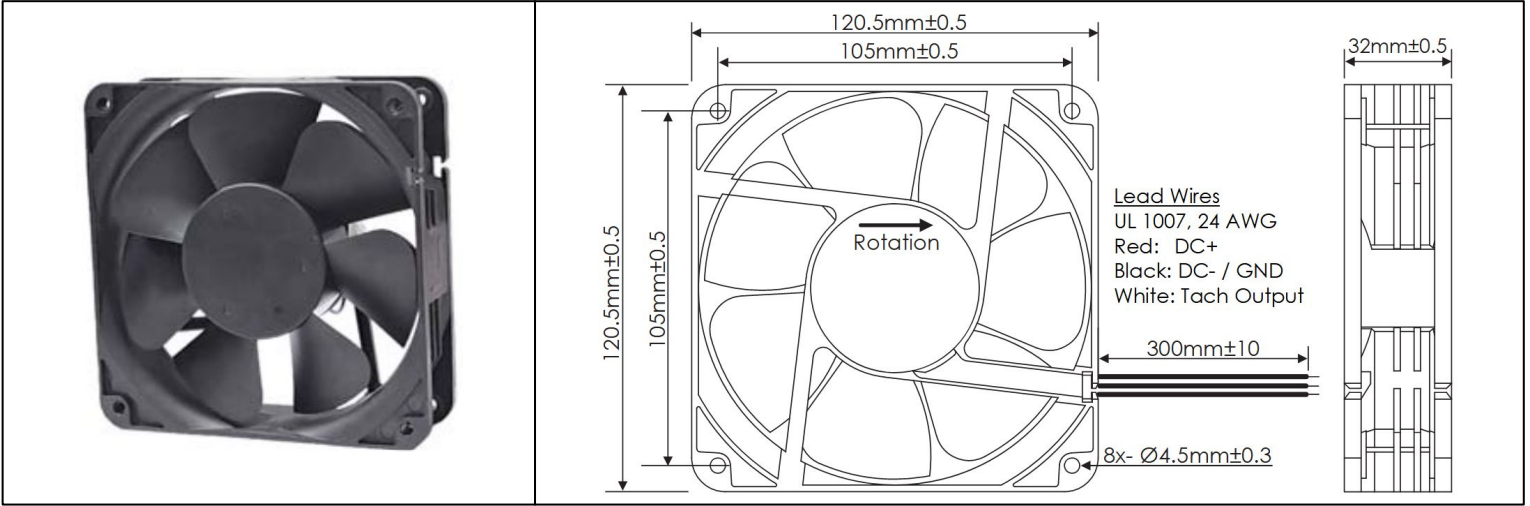
Frame	PBT, UL94 V-0 Plastic	Operating Temperature -20°C ~ +65°C	
Impeller	PBT, UL94 V-0 Plastic		
Connection	2x Wire Leads, 22 AWG	Life Expectancy 70,000 Hours (L10 at 40°C)	
Motor	Brushless DC, Auto Cutoff, Auto Restart, Electronically Protected, Polarity Protected	Available Options PWM Speed Control Thermal Speed Control Tachometer Output Alarm Output IP Ratings 5V Versions	
Bearing System	Ball Bearings	Weight: 0.59 lbs	
Dielectric Strength	500VDC/min, <3mA		
Insulation Resistance	≥10MΩ @ 500 VDC		

Part Number	Rated Voltage (Volts DC)	Voltage Range (Volts DC)	Input Power (Watts)	Rated Current (Amps)	Rated Speed (RPM)	Max Airflow (CFM)	Noise Level (dBA)	Max Static Pressure (\"H ₂ O)
OD1232-12HB	12	9 ~ 13.8	10.1	0.84	3700	120	45.4	0.52
OD1232-12MB	12	9 ~ 13.8	8.5	0.70	3250	107	40.1	0.46
OD1232-12LB	12	9 ~ 13.8	6.0	0.50	2850	93	34.8	0.41
OD1232-24HB	24	16 ~ 26	10.1	0.42	3700	120	45.4	0.52
OD1232-24MB	24	16 ~ 26	8.5	0.35	3250	107	40.1	0.46
OD1232-24LB	24	16 ~ 26	7.2	0.30	2850	93	34.8	0.41
OD1232-48HB	48	30 ~ 52	10.1	0.21	3700	120	45.4	0.52
OD1232-48MB	48	30 ~ 52	8.6	0.18	3250	107	40.1	0.46
OD1232-48LB	48	30 ~ 52	6.0	0.12	2850	93	34.8	0.41

OD1232 Series with Tachometer

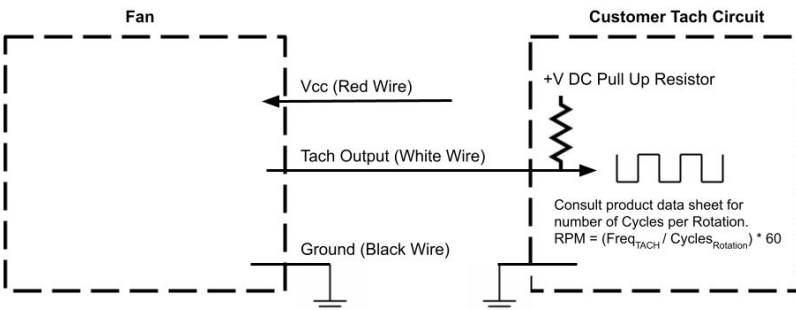


DC Fans - 12, 24, 48V
120.5mm x 120.5mm x 32mm
(4.75" x 4.75" x 1.26")



Frame	PBT, UL94 V-0 Plastic	<u>Operating Temperature</u> -20°C ~ +65°C	<p>Static Pressure ("H₂O") vs Airflow (CFM)</p>
Impeller	PBT, UL94 V-0 Plastic		
Connection	3x Wire Leads, 24 AWG	<u>Storage Temperature</u> -20°C ~ +75°C	
Motor	Brushless DC, Auto Cutoff, Auto Restart, Electronically Protected, Polarity Protected	<u>Life Expectancy</u> 70,000 Hours (L10 at 40°C)	
Bearing System	Ball Bearings	<u>Installed Options</u> Open Collector Tach Output	
Dielectric Strength	500VDC/min, <3mA	Weight: 0.59 lbs	
Insulation Resistance	≥10MΩ @ 500 VDC		

Part Number	Rated Voltage (Volts DC)	Voltage Range (Volts DC)	Input Power (Watts)	Rated Current (Amps)	Rated Speed (RPM)	Max Airflow (CFM)	Noise Level (dBA)	Max Static Pressure ("H ₂ O)
OD1232-12HB01A	12	9 ~ 13.8	10.1	0.84	3700	120	45.4	0.52
OD1232-12MB01A	12	9 ~ 13.8	8.5	0.70	3250	107	40.1	0.46
OD1232-12LB01A	12	9 ~ 13.8	6.0	0.50	2850	93	34.8	0.41
OD1232-24HB01A	24	16 ~ 26	10.1	0.42	3700	120	45.4	0.52
OD1232-24MB01A	24	16 ~ 26	8.5	0.35	3250	107	40.1	0.46
OD1232-24LB01A	24	16 ~ 26	7.2	0.30	2850	93	34.8	0.41
OD1232-48HB01A	48	30 ~ 52	10.1	0.21	3700	120	45.4	0.52
OD1232-48MB01A	48	30 ~ 52	8.6	0.18	3250	107	40.1	0.46
OD1232-48LB01A	48	30 ~ 52	6.0	0.12	2850	93	34.8	0.41



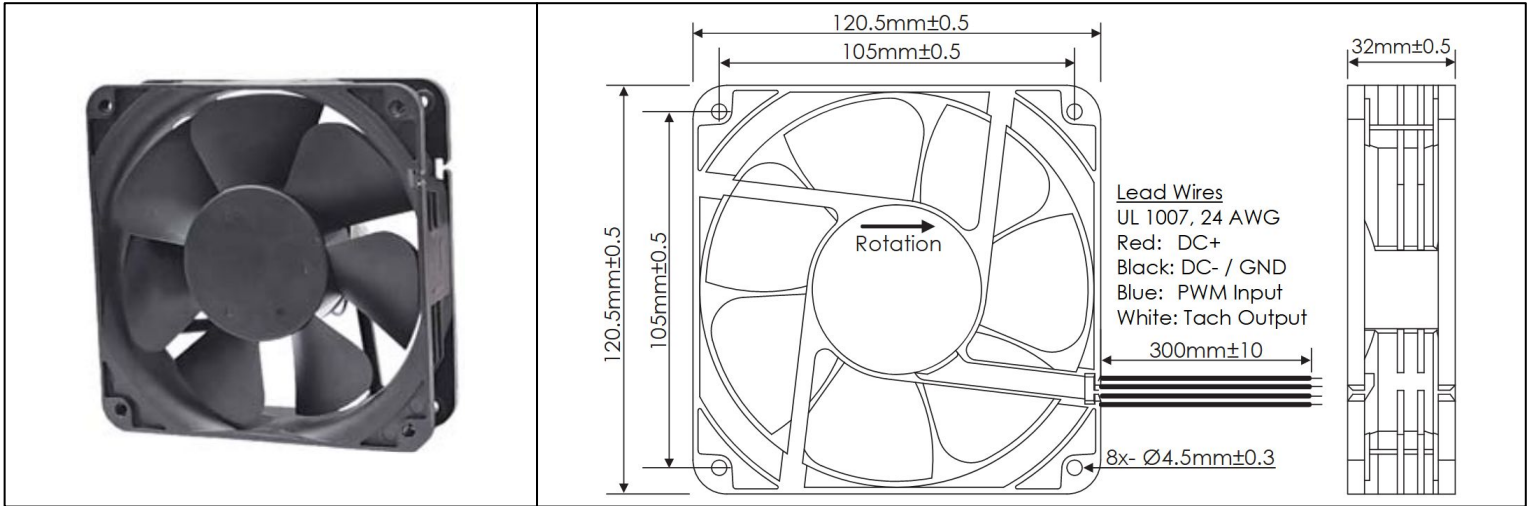
Tach Max Pullup Voltage:
 Tach Max Sink Current:
 Tach Cycles per Rotation:

Vcc of fan
 5mA
 2

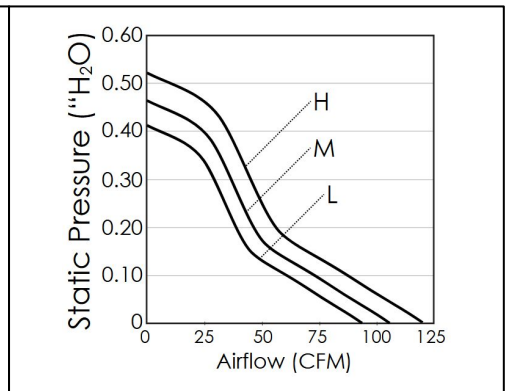
OD1232 Series with Tachometer and PWM



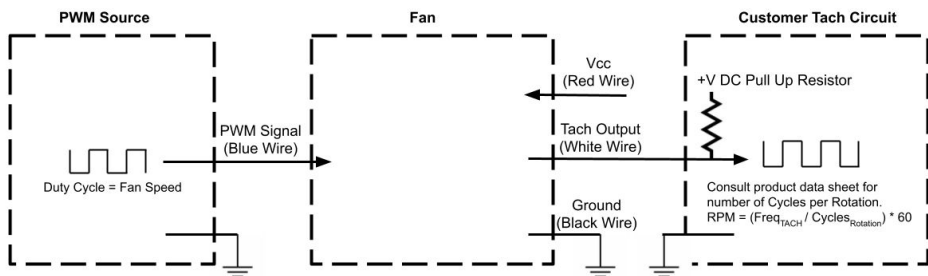
DC Fans - 12, 24, 48V
120.5mm x 120.5mm x 32mm
(4.75" x 4.75" x 1.26")



Frame	PBT, UL94 V-0 Plastic	<u>Operating Temperature</u> -20°C ~ +65°C
Impeller	PBT, UL94 V-0 Plastic	
Connection	4x Wire Leads, 24 AWG	<u>Storage Temperature</u> -20°C ~ +75°C
Motor	Brushless DC, Auto Cutoff, Auto Restart, Electronically Protected, Polarity Protected	
Bearing System	Ball Bearings	<u>Life Expectancy</u> 70,000 Hours (L10 at 40°C)
Dielectric Strength	500VDC/min, <3mA	
Insulation Resistance	≥10MΩ @ 500 VDC	
		<u>Installed Options</u> Open Collector Tach Output PWM Input Weight: 0.59 lbs



Part Number	Rated Voltage (Volts DC)	Voltage Range (Volts DC)	Input Power (Watts)	Rated Current (Amps)	Rated Speed (RPM)	Max Airflow (CFM)	Noise Level (dBA)	Max Static Pressure ("H ₂ O)
OD1232-12HB10A	12	9 ~ 13.8	10.1	0.84	3700	120	45.4	0.52
OD1232-12MB10A	12	9 ~ 13.8	8.5	0.70	3250	107	40.1	0.46
OD1232-12LB10A	12	9 ~ 13.8	6.0	0.50	2850	93	34.8	0.41
OD1232-24HB10A	24	16 ~ 26	10.1	0.42	3700	120	45.4	0.52
OD1232-24MB10A	24	16 ~ 26	8.5	0.35	3250	107	40.1	0.46
OD1232-24LB10A	24	16 ~ 26	7.2	0.30	2850	93	34.8	0.41
OD1232-48HB10A	48	30 ~ 52	10.1	0.21	3700	120	45.4	0.52
OD1232-48MB10A	48	30 ~ 52	8.6	0.18	3250	107	40.1	0.46
OD1232-48LB10A	48	30 ~ 52	6.0	0.12	2850	93	34.8	0.41

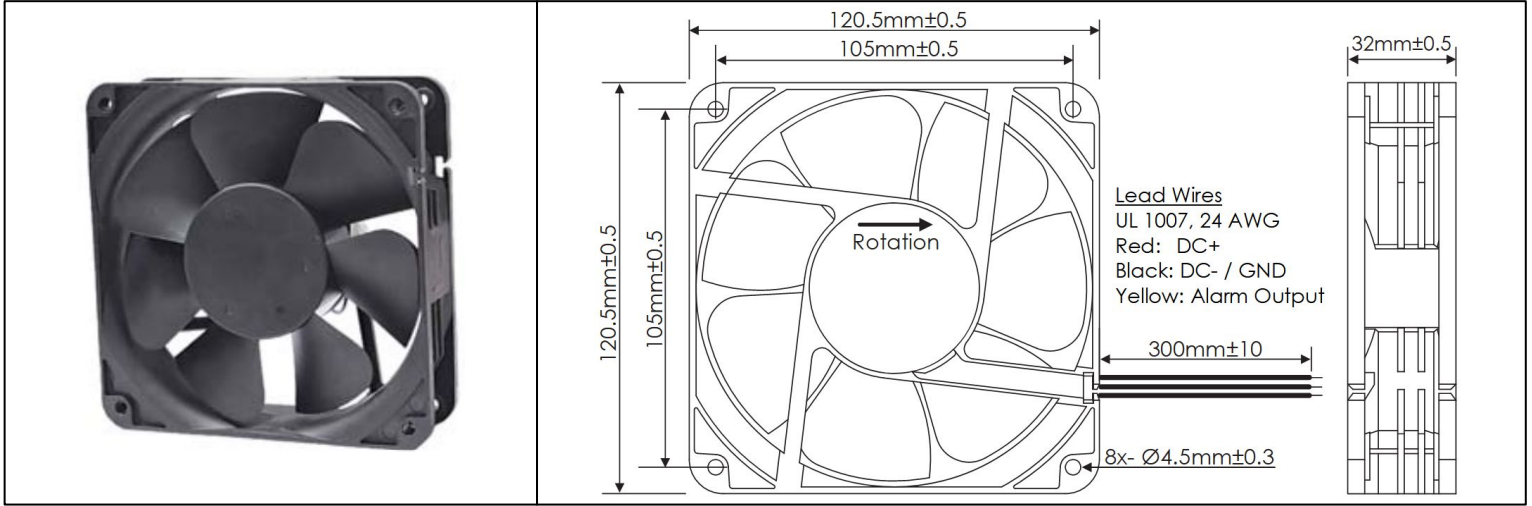


- PWM Max High Voltage: 5V
- PWM Max Sink Current: 5mA
- PWM Frequency Range: 10KHz-40KHz
- PWM Typical Frequency: 25KHz
- PWM Minimum Startup Duty Cycle: 30%
- RPM at 0% Duty Cycle: 0 RPM
- RPM will be full speed if PWM input is disconnected.
- Fan will be stopped if PWM input is grounded.
- Tach Max Pullup Voltage: Vcc of fan
- Tach Max Sink Current: 5mA
- Tach Cycles per Rotation: 2

OD1232 Series with Alarm

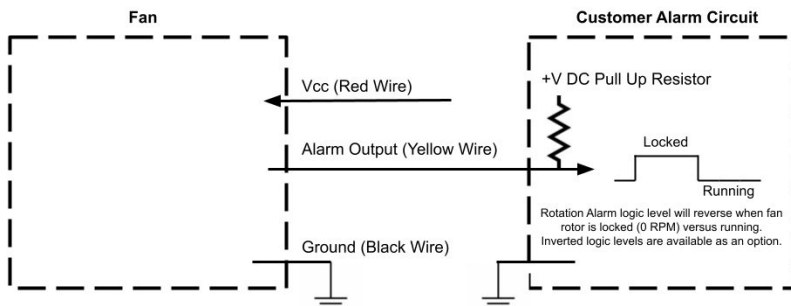


DC Fans - 12, 24, 48V
120.5mm x 120.5mm x 32mm
(4.75" x 4.75" x 1.26")



Frame	PBT, UL94 V-0 Plastic	Operating Temperature -20°C ~ +65°C	
Impeller	PBT, UL94 V-0 Plastic		
Connection	3x Wire Leads, 24 AWG	Storage Temperature -20°C ~ +75°C	
Motor	Brushless DC, Auto Cutoff, Auto Restart, Electronically Protected, Polarity Protected	Life Expectancy 70,000 Hours (L10 at 40°C)	
Bearing System	Ball Bearings	Installed Options Open Collector Alarm Output	
Dielectric Strength	500VDC/min, <3mA	Weight: 0.59 lbs	
Insulation Resistance	≥10MΩ @ 500 VDC		

Part Number	Rated Voltage (Volts DC)	Voltage Range (Volts DC)	Input Power (Watts)	Rated Current (Amps)	Rated Speed (RPM)	Max Airflow (CFM)	Noise Level (dBA)	Max Static Pressure ("H ₂ O)
OD1232-12HB02A	12	9 ~ 13.8	10.1	0.84	3700	120	45.4	0.52
OD1232-12MB02A	12	9 ~ 13.8	8.5	0.70	3250	107	40.1	0.46
OD1232-12LB02A	12	9 ~ 13.8	6.0	0.50	2850	93	34.8	0.41
OD1232-24HB02A	24	16 ~ 26	10.1	0.42	3700	120	45.4	0.52
OD1232-24MB02A	24	16 ~ 26	8.5	0.35	3250	107	40.1	0.46
OD1232-24LB02A	24	16 ~ 26	7.2	0.30	2850	93	34.8	0.41
OD1232-48HB02A	48	30 ~ 52	10.1	0.21	3700	120	45.4	0.52
OD1232-48MB02A	48	30 ~ 52	8.6	0.18	3250	107	40.1	0.46
OD1232-48LB02A	48	30 ~ 52	6.0	0.12	2850	93	34.8	0.41



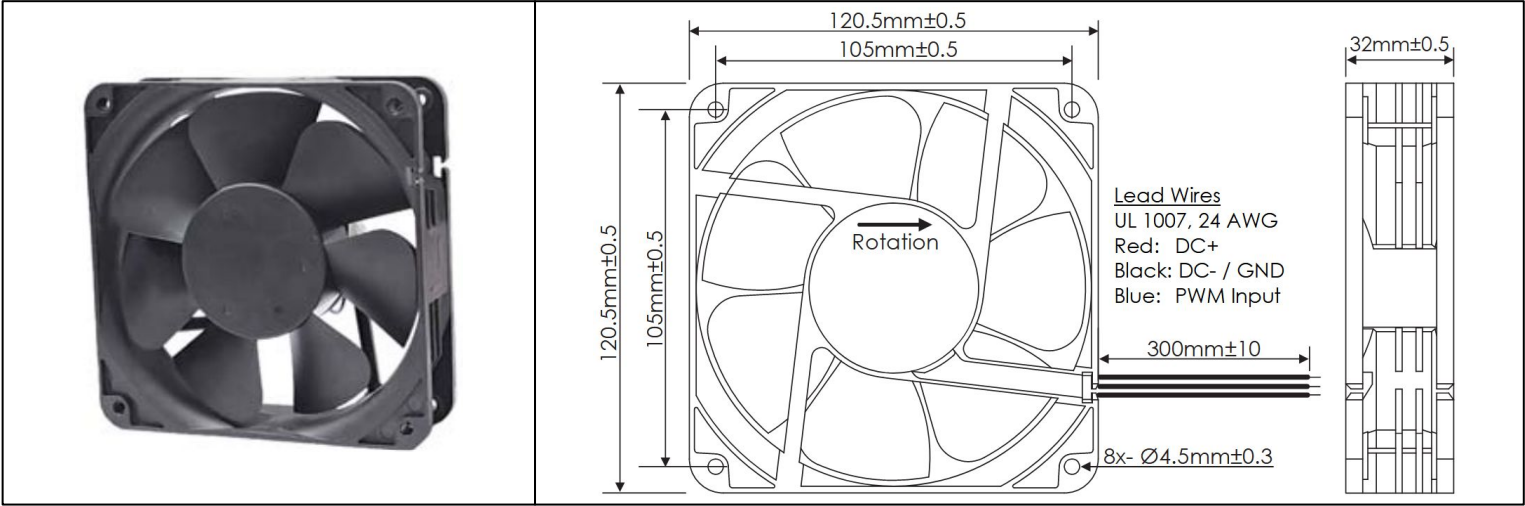
Alarm Max Pullup Voltage:
Alarm Max Sink Current:
Alarm Active State:

Vcc of fan
5mA
HIGH

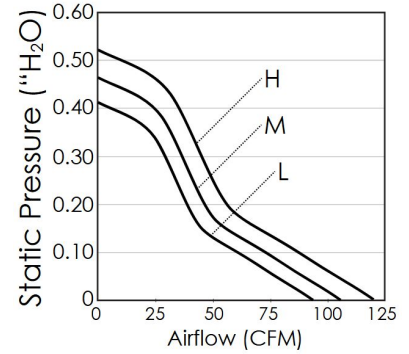
OD1232 Series with PWM



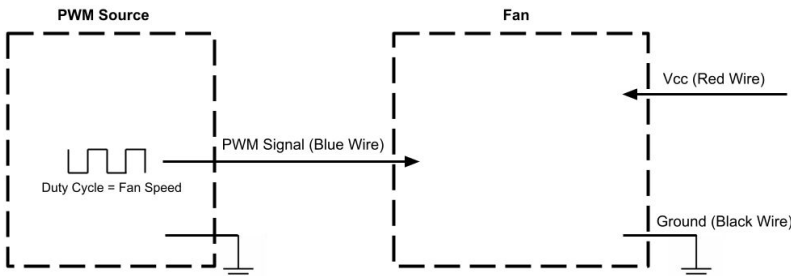
DC Fans - 12, 24, 48V
120.5mm x 120.5mm x 32mm
(4.75" x 4.75" x 1.26")



Frame	PBT, UL94 V-0 Plastic	Operating Temperature -20°C ~ +65°C
Impeller	PBT, UL94 V-0 Plastic	
Connection	3x Wire Leads, 24 AWG	Storage Temperature -20°C ~ +75°C
Motor	Brushless DC, Auto Cutoff, Auto Restart, Electronically Protected, Polarity Protected	
Bearing System	Ball Bearings	Life Expectancy 70,000 Hours (L10 at 40°C)
Dielectric Strength	500VDC/min, <3mA	
Insulation Resistance	≥10MΩ @ 500 VDC	Installed Options PWM Speed Control
		Weight: 0.59 lbs



Part Number	Rated Voltage (Volts DC)	Voltage Range (Volts DC)	Input Power (Watts)	Rated Current (Amps)	Rated Speed (RPM)	Max Airflow (CFM)	Noise Level (dBA)	Max Static Pressure ("H ₂ O)
OD1232-12HB05	12	9 ~ 13.8	10.1	0.84	3700	120	45.4	0.52
OD1232-12MB05	12	9 ~ 13.8	8.5	0.70	3250	107	40.1	0.46
OD1232-12LB05	12	9 ~ 13.8	6.0	0.50	2850	93	34.8	0.41
OD1232-24HB05	24	16 ~ 26	10.1	0.42	3700	120	45.4	0.52
OD1232-24MB05	24	16 ~ 26	8.5	0.35	3250	107	40.1	0.46
OD1232-24LB05	24	16 ~ 26	7.2	0.30	2850	93	34.8	0.41
OD1232-48HB05	48	30 ~ 52	10.1	0.21	3700	120	45.4	0.52
OD1232-48MB05	48	30 ~ 52	8.6	0.18	3250	107	40.1	0.46
OD1232-48LB05	48	30 ~ 52	6.0	0.12	2850	93	34.8	0.41



PWM Max Input Voltage: 5.5V
 PWM Frequency Range: 10KHz ~ 40KHz
 PWM Typical Frequency: 25KHz
 PWM Minimum Startup Duty Cycle: 30%
 RPM at 0% Duty Cycle: 0 RPM
 RPM will be full speed if PWM input is disconnected.
 Fan will be stopped if PWM input is grounded.