

Humidity/Temperature Transmitters

HX300A Series



Optional

- ✓ Fast, Stable, and Accurate
- ✓ Watertight Enclosure
- ✓ Compact, Easy to Use
- ✓ Excellent Long-Term Stability
- ✓ Wide Input Voltage Range (12 to 40 Vdc)
- ✓ Available with Either Current or Voltage Output
- ✓ On-Site, 2-Point Calibration (Zero and Span)

The HX300A Series transmitter is designed for industrial environments requiring fast, stable, and accurate measurements. It employs a highly stable thin-film polymer capacitor to sense relative humidity, and a high-accuracy, thin-film RTD to accurately sense temperature.

Specifications

Measurement Range (Humidity):
0 to 100% RH @ 0 to 50°C
(32 to 122°F)

Measurement Range (Temperature):
0 to 100°C (32 to 212°F)

Accuracy (25°C): ±2.5% RH, ±0.3°C

Long-Term Stability: Better than 1% RH per year (typical)

Temperature Compensation:
0.008% RH/°C (effect @ 05 RH)

Response: <15 seconds (90% @ 25°C in moving air at 0.5 m/sec)

Sensors:

Humidity: Thin-film capacitor
Temperature: RTD PT100 Ω, IEC 751, DIN 43760

Output:

Current: 4 to 20 mA, 2-wire ±15% scalable zero and span adjustment
Voltage: 0 to 1V

Supply Voltage: 12 to 40 Vdc (24 Vdc recommended)

Sensor Protection: Sintered filter

Housing: ABS plastic watertight enclosure to NEMA 4 (IP65)

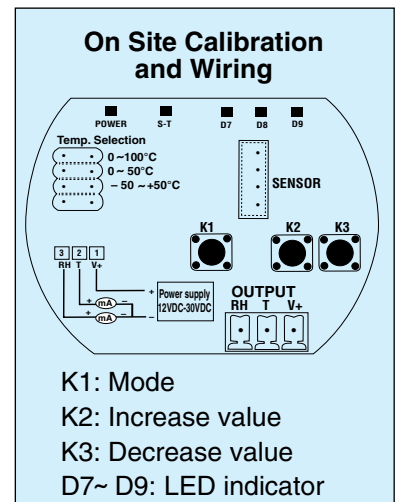
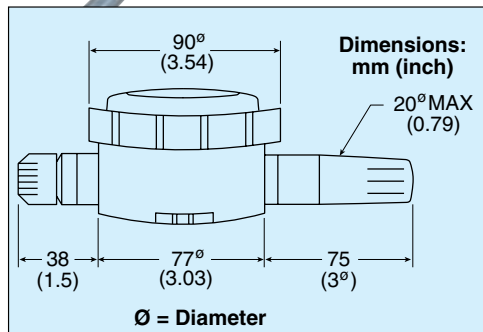
Connections: Liquid-tight nylon, cable bushing fits 5 to 10 mm dia. (0.2 to 0.4") cables

Operating Temperature:
0 to 50°C (32 to 122°F)

Weight: Approx 150 g (5.3 oz)



HX303AC shown smaller than actual size.



To Order Visit omega.com/hx300gb for Pricing and Details

Model No.	Description
HX303AC	Wall mount RH/temperature transmitter, 4 to 20 mA current outputs
HX303AV	Wall mount RH/temperature transmitter, 0 to 1 voltage outputs
HX302AC	Wall mount RH transmitter, 4 to 20 mA current output
HX302AV	Wall mount RH transmitter, 0 to 1 voltage output
PSR-24S	Regulated power supply, US plug, 90 to 264 Vac input, 24 Vdc output, 400 mA, screw terminals, UL
PSR-24L	Regulated power supply, US plug, 90 to 264 Vac input, 24 Vdc output, 400 mA, stripped leads, UL
PSR-24L-230	Regulated power supply, European plug, 230 Vac input, 24 Vdc output, 400 mA, stripped leads, CE
PSU-93	Unregulated power supply, 16 to 23 Vdc, 300 mA max, screw terminal
CAL-3-HU	NIST-traceable calibration

Comes complete with operator's manual.

Ordering Examples: HX303AC, wall mount RH/temperature transmitter with current outputs.

HX303AV, wall mount RH/temperature transmitter with voltage outputs and PSR-24L, power supply.