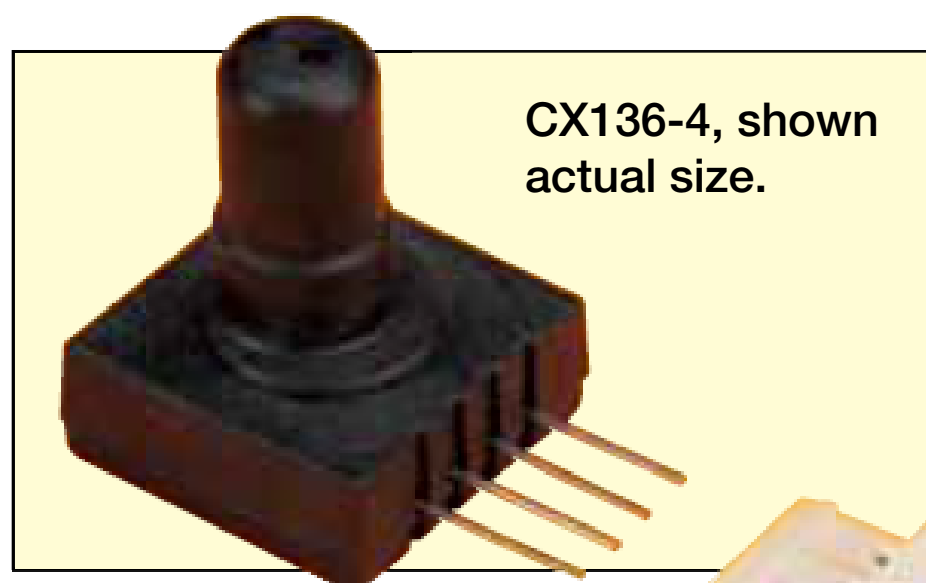


PUSH-ON STYLE, CRIMP CONTACT CONNECTORS FOR TRANSDUCERS

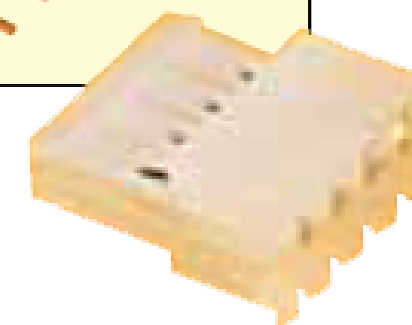
CX136 Series

- ✓ Heavy-Duty Construction
- ✓ Rated to 105°C (215°F)
- ✓ Solderless Connection
- ✓ 22-26 AWG Wire Size
- ✓ Flame-Retardant Thermoplastic Shells
- ✓ High-Conductivity, Gold-Plated over Nickel-Plated Contacts



CX136-4, shown actual size.

CX136 Series



CX136-4, connector, shown actual size.

To Order Visit omega.com/cx136 for Pricing and Details

Model No.	NO. OF CONTACT	COMPATIBLE SENSORS
CX136-3	5	PX141/142/143
		PX162/163/164
CX136-4	4	PX170/PX26
		PX137
		PX138/139
CX136-8	8	PX149

Ordering Example: CX136-4, connector for PX26 transducer.

ACCESSORIES

