

# Ultimate Connector with OMEGA™

## Integral Cable Clamp Cap

### Type OSTW Standard Size with Cable Clamp Cap

#### OSTW-CC Series

- ✓ Integral Cap and Cable Clamp
- ✓ Strain Relief With Grommet, Grommet Sold Separately
- ✓ Pull Test High Rating
- ✓ Captive Cover and Clamp Screws
- ✓ Wire Termination Up to Size 14 AWG
- ✓ 1/8" Back Plate (Supplied) Accepts: Stranded, Solid, TWSH, Overbraided, or RSC Coil Cord Wire
- ✓ 1/4" Back Plate (Optional) Clamps to 8.2 mm (0.325") OD
- ✓ Contact Washers for Quick Connect Wire Terminations—No Wire Loop Required
- ✓ Internal Wire Divider
- ✓ Write-On Window
- ✓ Combination Phillips/Slot Screws
- ✓ 100% Top Side Assembly
- ✓ Glass Filled Nylon Rated From -29 to 180°C (-20 to 356°F)
- ✓ Sold in Single Connector or Bulk Pack of 5, 50, 100

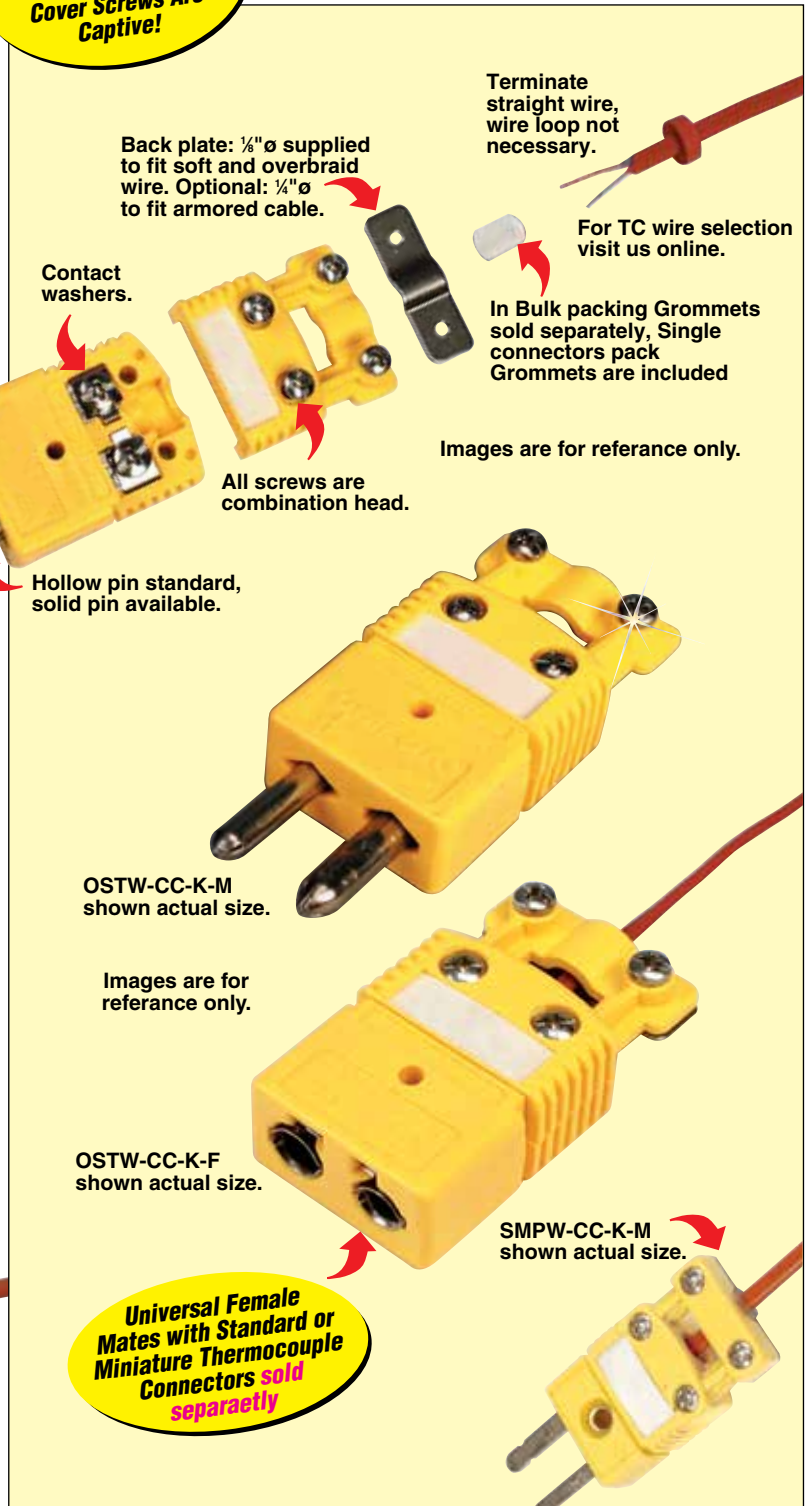
*Note: Minor discoloration of connector may occur between 150°C (302°F) and 180°C (356°F). Electrical properties are not affected.*

**Reduce Assembly Time From 3 Minutes to Less Than 1 Minute!**

**Incredible Labor Saver! No Loose Screws, All Cover Screws Are Captive!**



Images are for reference only.



Back plate: 1/8"  $\phi$  supplied to fit soft and overbraided wire. Optional: 1/4"  $\phi$  to fit armored cable.

Terminate straight wire, wire loop not necessary.

For TC wire selection visit us online.

In Bulk packing Grommets sold separately, Single connectors pack Grommets are included

Contact washers.

Images are for reference only.

All screws are combination head.

Hollow pin standard, solid pin available.

OSTW-CC-K-M shown actual size.

Images are for reference only.

OSTW-CC-K-F shown actual size.

SMPW-CC-K-M shown actual size.

**Universal Female Mates with Standard or Miniature Thermocouple Connectors sold separately**

OSTW-CC-K-M  
shown actual size.



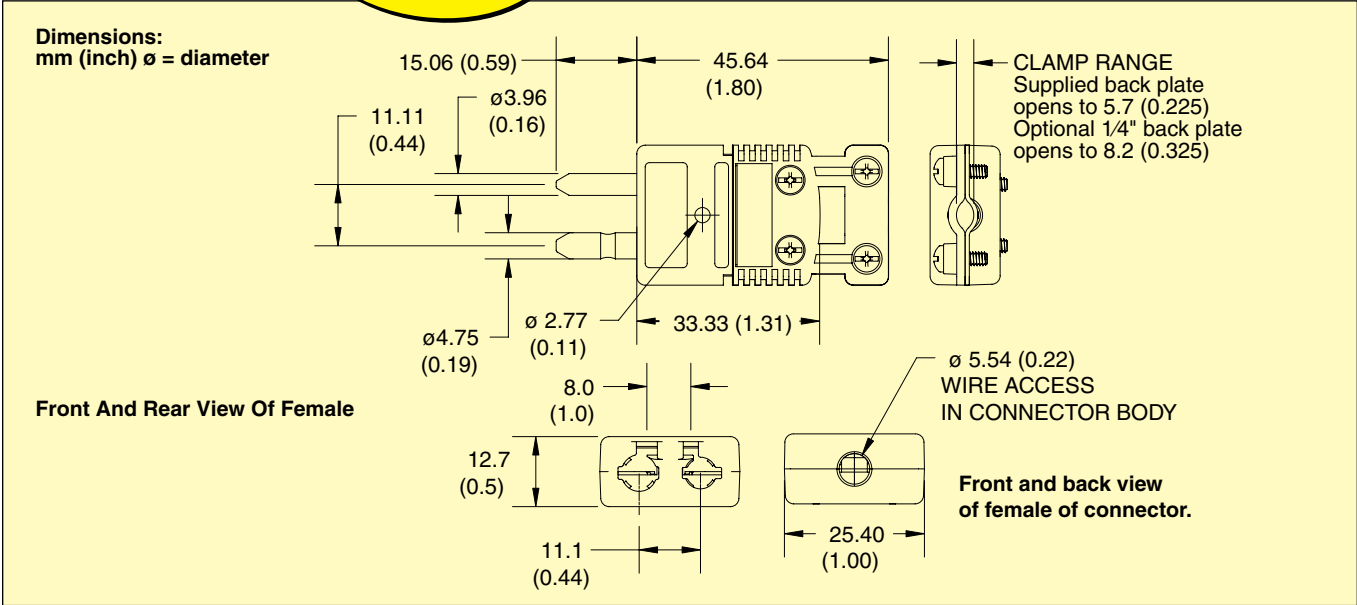
**Pull Test  
Highest Rating**

Images are for  
reference only.



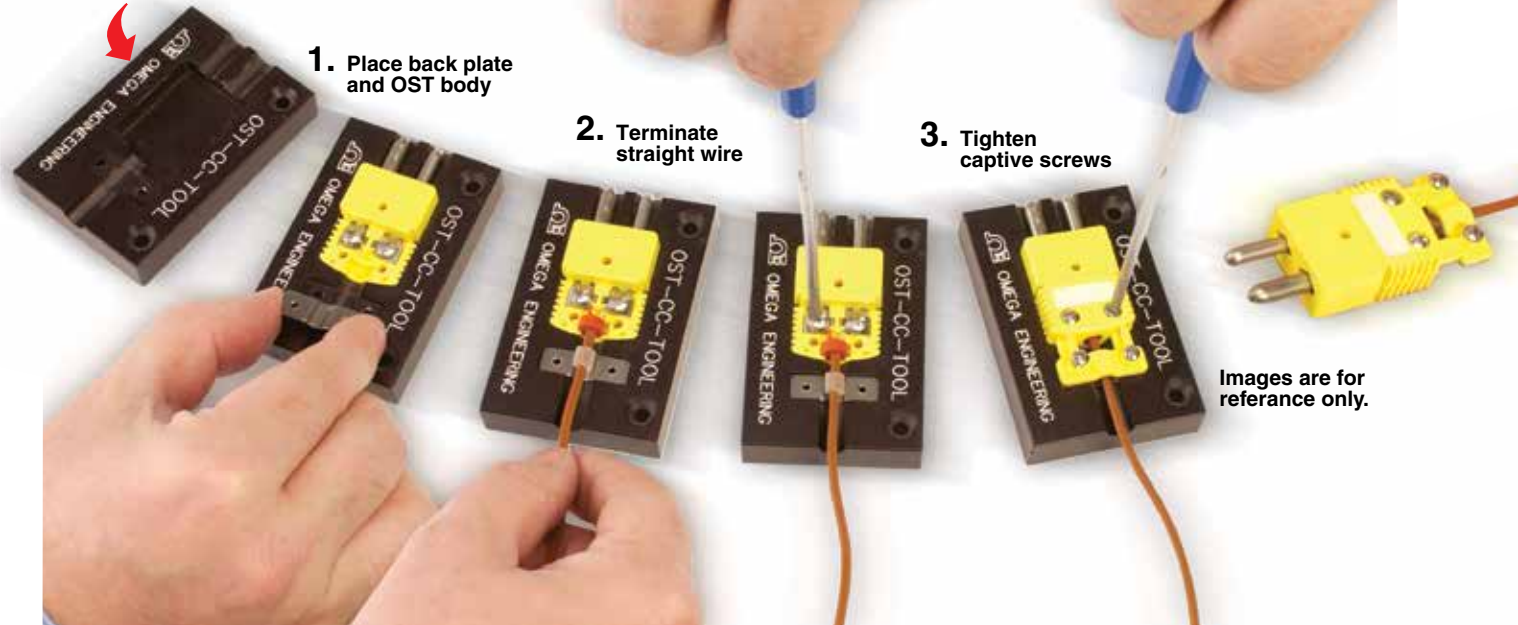
OSTW-CC-K-F  
shown actual size.

**Side Load  
Equal to  
Stainless Steel**



## Quick Assembly Tool!

OST-CC-TOOL shown  
smaller than actual size.



**Bulk Packaging, the Wire/Connector and Clamp Grommets Sold Separately.**

Model Number	Inside Dia mm (inch)	Outside Dia mm (inch)	Length mm (inch)	Description
SSRT-316-*	4.77 (0.1875)	6.35 (0.25)	6.35 (0.25)	Silicone Wire Grommet (Strain Relief)
SSRT-CC-018-(* )	3.18 (0.125)	4.77 (0.188)	6.35 (0.250)	Clamp Silicone Grommet
SSRT-CC-332-(* )	2.38 (0.094)			
SSRT-CC-116-(* )	1.59 (0.063)			
SSRT-CC-132-(* )	0.79 (0.032)			

\* Insert package QTY: Select from 5, 10, 50, 100

<b>To Order</b>					
Alloy Code	Compensating Alloy Used in Connector		ANSI Color Code	Glass-Filled Nylon Model No.	
	(+)	(-)		Male	Female
<b>K</b>	CHROMECA™	ALOMEGA™	Yellow	OSTW-CC-K-M	OSTW-CC-K-F
<b>T</b>	Copper	Constantan	Blue	OSTW-CC-T-M	OSTW-CC-T-F
<b>J</b>	Iron	Constantan	Black	OSTW-CC-J-M	OSTW-CC-J-F
<b>E</b>	CHROMECA	Constantan	Purple	OSTW-CC-E-M	OSTW-CC-E-F
<b>R/S</b>	Copper	RNX/SNX	Green	OSTW-CC-R/S-M	OSTW-CC-R/S-F
<b>C</b>	CPX	CNX	Red	OSTW-CC-C-M	OSTW-CC-C-F
<b>U</b>	Copper	Copper	White	OSTW-CC-U-M	OSTW-CC-U-F
<b>N</b>	OMEGA-P™	OMEGA-N™	Orange	OSTW-CC-N-M	OSTW-CC-N-F

\* To order solid pin male connectors, add suffix “-S” to the model number for additional cost.

**Ordering Example:** OSTW-CC-K-M, clamp cap, Type K, hollow pin male.

**Note:** Bulk packaging options available OSTW-CC-\*.\*\*\*, where \* Calibration type, \*\* M or F, \*\*\* 5, 50 or 100 pkg qty.