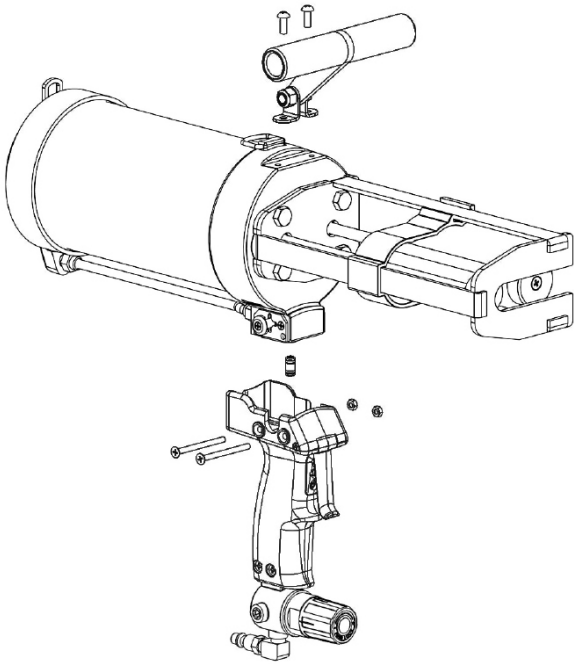
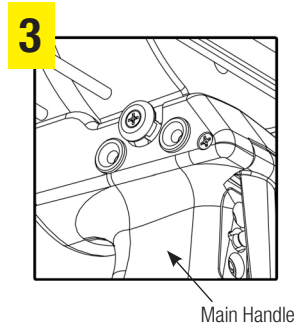
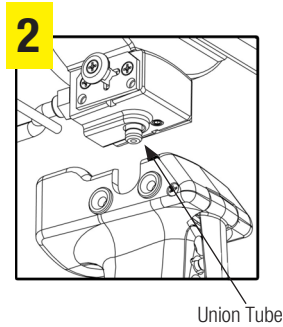
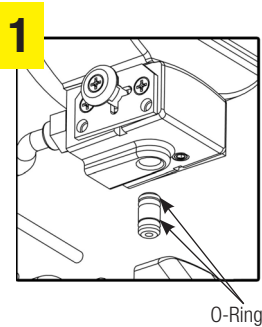


2K Pneumatic Dispense Gun: 1500mL Instructions



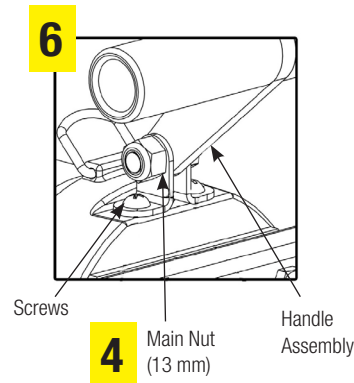
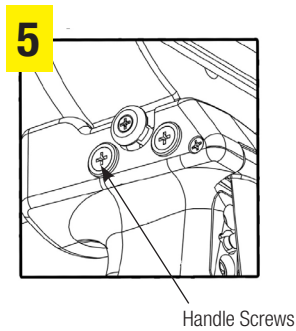
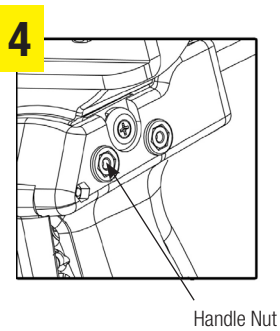
Steps

1. Lube o-rings with grease.
2. Insert union tube into casting.
3. Assemble main handle into union tube.
4. Insert handle nuts into main handle.
5. Insert screws into main handle and tighten.
6. Align holes in upper handle assembly with holes in casting. Insert upper handle screws into castings. Upper handle can be adjusted by loosening main nut.



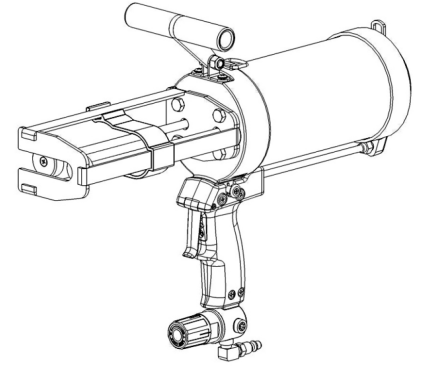
Tools required

- Phillips-head screwdriver
- 10 mm nut driver
- 6 mm allen wrench
- (2) 13 mm nut drivers



Safety

- 120 psi maximum operating pressure.
- Do not drop or let anything drop on the applicator.
- Do not damage or polish the piston rods.
- Store in a clean dry environment.
- Eye protection must be worn at all times when the applicator is in operation.
- Do not point the applicator at anyone while the tool is in operation.
- Do not place any part of your body either inside or in front of the material chambers while the applicator is connected to an air supply.
- Read the material safety data sheets (MSDS) on the material being used.



Cleaning

Keeping the applicator clean is important for long life and trouble-free operation. Due to the tool's rugged construction, most solvents can be used to remove material. It is not recommended to immerse the tool in a cleaning agent, as this may adversely affect the internal seals of the applicator. Special care should be taken to ensure no material residue is left on the piston rods.

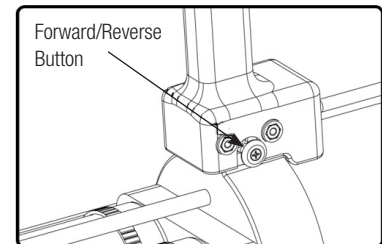
General dispensing instructions

Note: It is highly recommended that you advance and retract the pistons in an empty applicator until you are comfortable with its operation.

The dispensing rate of the applicator is determined by the air pressure used. It is advised to begin at the lowest pressure setting and adjust the pressure to your desired speed. Upper handle can be adjusted by loosening main nut.

To load twin cartridges

1. Dispenser is designed to dispense 1500mL cartridges in 1:1 ratio without the need to change ejectors.
2. Retract the piston rods by switching the forward/reverse button and then actuate the trigger to allow the rods to travel back into the barrel.
3. Ensure that the front of the cartridge is seated against the applicator's front plate before dispensing.



To dispense twin cartridges

1. Remove caps and/or plugs from the cartridge and install a new static mixer on the end of the cartridge. Some static mixers require a plastic nut to secure it to the cartridge; specify p/n 7702598
2. With the regulator at low pressure, switch the forward/reverse button to the forward position and then actuate the trigger to allow the rods to travel forward to ensure the piston ejectors are properly seated against the cartridge pistons.
3. Do not apply adhesive to the work area until the proper mixture is exiting the static mixer.
4. To adjust the material flow, actuate the trigger and adjust the air pressure with the regulator until your desired dispensing rate is achieved.
5. To stop dispensing, release the trigger to exhaust the air pressure within the tool.
6. **Note:** Mixed compounds will harden in the static mixer if left unused for a few minutes. To prevent rupturing of the cartridge, replace the static mixer.



EFD

For Nordson EFD sales and service in over 40 countries, contact Nordson EFD or go to www.nordsonefd.com.

Global

800-556-3484; +1-401-431-7000
info@nordsonefd.com

Europe

00800 7001 7001
infoefd.europe@nordsonefd.com

Asia

China: +86 (21) 3866 9006; china@nordsonefd.com
India: +91 80 4021 3600; india@nordsonefd.com
Japan: +81 03 5762 2760; japan@nordsonefd.com
Korea: +82-31-736-8321; korea@nordsonefd.com
SEAsia: +65 6796 9522; sin-mal@nordsonefd.com