

741MD-SS MicroDot Valves

Precision valve system for consistent microdot application



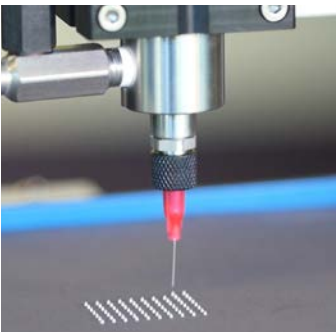
Dispenses very precise micro-deposits down to fractions of a microliter.

The MicroDot valve system incorporates a pneumatically operated adjustable needle valve designed to apply very precise deposits down to fractions of a microliter.

This system is ideal for automated assembly processes that require small dispensing tips ranging in size from 22 to 33 gauge. The 741MD-SS valve has an adjustable needle stroke with a unique calibration feature that allows the user to maintain exact deposit size.

Features and Benefits

- Consistent microdots as small as 0.18 mm (0.007") diameter
- Unaffected by entrapped air in fluid
- Easy calibration; short setup time
- Drip-free shutoff
- Cycle rate exceeds 400/minute
- Zero dead fluid volume
- Low-maintenance design



741MD dispenses pattern of fluids.

Part #	Description
7021233	741MD-SS valve
7015585	741MD-SS-BP valve

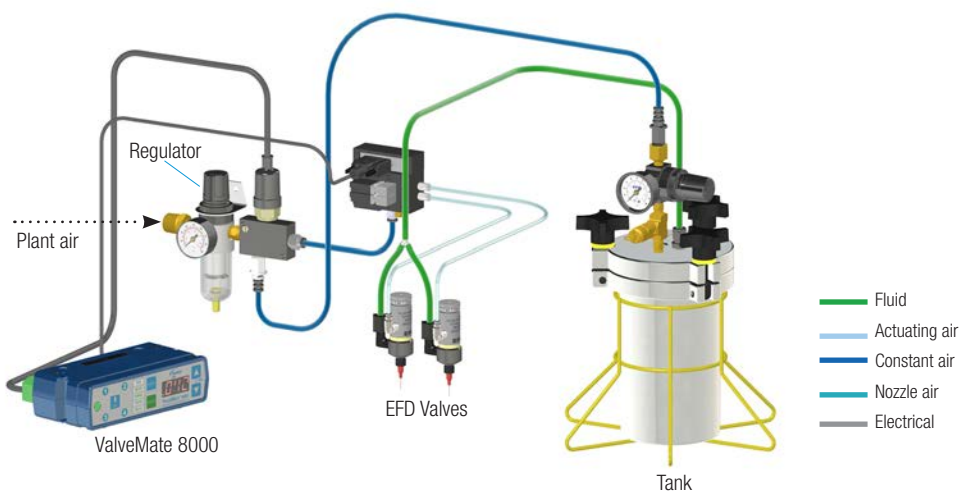
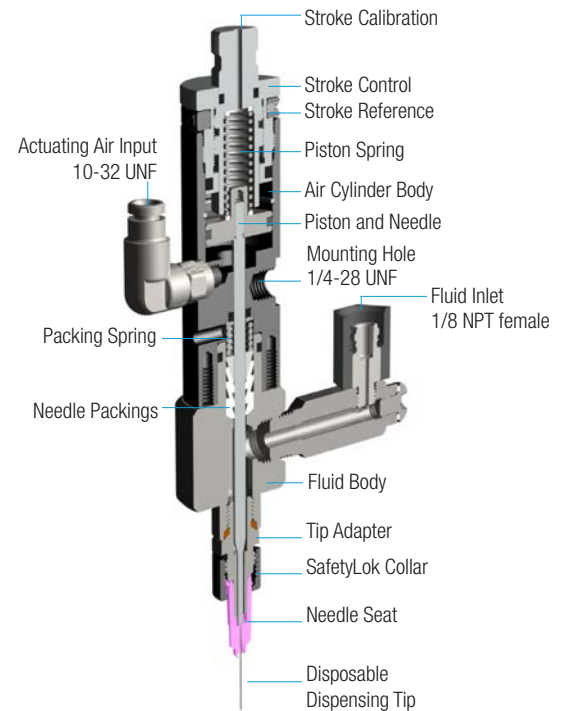


more info



Specifications

Item	Specification
Size	127.5L x 26.9DIA mm (5.02L x 1.06DIA")
Weight	251.0 g (9.0 oz)
Actuating air pressure required	4.8–6.2 bar (70–90 psi)
Maximum fluid pressure	7.0 bar (100 psi)
Fluid inlet	1/8 NPT female
Fluid outlet	Luer taper with retaining nut
Mounting	1/4-28 UNF tapped hole
Cycle rate	Exceeds 400 per minute
Air cylinder body	Hard-coated anodized aluminum
Fluid body	303 stainless steel
Piston	303 stainless steel
Needle and nozzle	303 stainless steel
Tip adapter	303 stainless steel
SafetyLok collar	Hard-coated anodized aluminum
Maximum operating temperature	43° C (110° F)
Warranty	1 year, limited



ValveMate 8000 Controller

Valve open time is the primary control of deposit size. The ValveMate controller puts push-button adjustment of valve open time where it needs to be — at the valve.

- Multi-valve control—up to (4) valves
- Partner to Programmable Logic Controller (PLC)
- Easy deposit size control
- Increased production output
- End user convenience
- Maximum machine efficiency

Select Your Controller

See the Valve Selection Guide for the controllers compatible with this valve — www.nordsonefd.com/ValveGuide.

Automated Dispensing Systems

Nordson EFD automated dispensing systems deliver market-leading repeatability and accuracy in fluid placement and positioning. Specialized dispensing software simplifies setup and programming. Optimize dispensing results with features such as laser height sensing and smart vision CCD cameras.

Fluid Reservoirs

Choose from clear syringe barrels for normal fluids, amber for UV-cure and light-sensitive fluids, and opaque black for complete light protection.

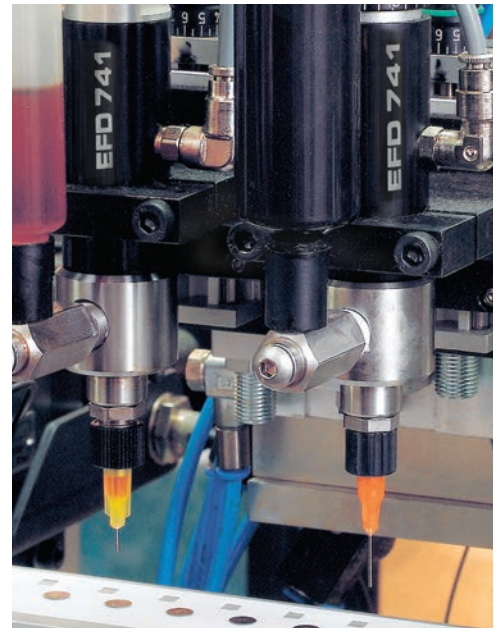
Dispense Tips

Precision Optimum stainless steel tips are required to maintain microdot control. 741MD-SS Series valves are packaged with a kit of stainless steel tips in sizes from 22 to 32 gauge and 33 gauge chamfered tips.

Request a Process Evaluation

Contact Nordson EFD to configure a precision dispense system that meets your specific needs, with:

- A complimentary process evaluation by experienced fluid dispensing experts
- Samples processed for customer evaluation and approval prior to purchase



Delivers superior fluid dispensing control.



For Nordson EFD sales and service in over 40 countries, contact Nordson EFD or go to www.nordsonefd.com.

Global

800-556-3484; +1-401-431-7000
info@nordsonefd.com

Europe

00800 7001 7001
infoefd.europe@nordsonefd.com

Asia

China: +86 (21) 3866 9006; china@nordsonefd.com
India: +91 80 4021 3600; india@nordsonefd.com
Japan: +81 03 5762 2760; japan@nordsonefd.com
Korea: +82-31-736-8321; korea@nordsonefd.com
SEAsia: +65 6796 9522; sin-mal@nordsonefd.com

©2022 Nordson Corporation v070522