

50mL Cartridge System

Side x Side Cartridge with Bayonet / Open End Outlet



Multiple ratios available in both PP and nylon depending on the adhesive requirements.

The 50mL Cartridge System is molded “open” and comes pre-assembled with EFD’s superior plug closure. The slightly separated and more concentric bores not only provide increased strength during dispensing, but also minimize the chance of blow-by. The increased lead-in on the flange side of the cartridge makes piston insertion easier.

Available in 1:1, 2:1, 4:1, and 10:1 ratios, the 50mL cartridge is produced in both nylon and polypropylene. Each system ratio is available in our open outlet design with pre-assembled plug closure. Our popular 1:1 and 2:1 ratios are also available with a hermetically-sealed closed option.

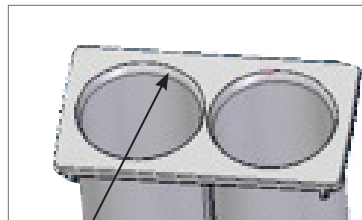
Note: The current 50mL cartridge is a direct replacement for EFD P/N 7702891. This design is fully compatible with Nordson EFD mixers and dispensers.

Features

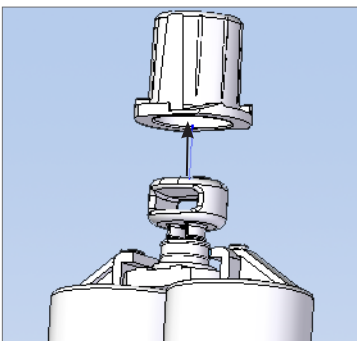
- Ratios available: 1:1, 2:1, 4:1, 10:1
- Material: Polypropylene and nylon
- Superior Plug Closure: Pre-assembled for efficiency
- Closed Option Available: Hermetically sealed
- Three Styles of Dispensers: Manual dispenser, Equalizer™, and caulking gun conversion kit
- Large mixer selection
- Multiple piston options, including AF™ Air-Free Piston for 50mL 1:1 ratio



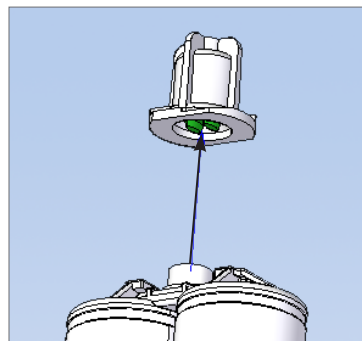
Separate bores, CL 0.7mm wider



Increased lead In



Molded closed cartridge



Molded open cartridge



more info

Specifications

Part #	Description	Center to-Center Dimension*	Burst Strength during dispense
7015724	50mL Side x Side Cartridge, PP	0.828"	300 psi
7702891	50mL Side x Side Cartridge, Nylon	0.828"***	725 psi**

* Piston insertion equipment may have to be adjusted slightly to compensate for the slight difference in the center-to-center dimension.

** Nylon model was previously 0.805" / 725 psi

50mL Cartridge System				
Ratio	Part #	Description	Maximum Volume	Material
1:1	7015724	Open-End Cartridge w/Retainer & Plug	50mL	PP
	7702891	Open-End Cartridge w/Retainer & Plug	50mL	Nylon
	7702619	Closed-End Cartridge w/Protective Cap	50mL	PP
	7702687	EPDM O-Ring Piston (Short)	-	PP
	7702692	EPDM O-Ring Piston (Tall)	-	PP
	7702702	Multi-seal Piston w/Pre-staged Center Bleed Plug	-	PP
	7702891	Open-End Cartridge w/Retainer & Plug	50mL	Nylon
	7702621	Closed-End Cartridge w/Protective Cap	50mL	Nylon
	7702704	Multi-seal Piston w/Pre-staged Center Bleed Plug	-	Nylon
	7704061	AF Piston	-	PE/PBT
2:1	7702892	Open-End Cartridge w/Retainer & Plug	50mL	PP
	7702627	Closed-End Cartridge w/Protective Cap	50mL	PP
	7702705	EPDM O-Ring Piston (Large side)	-	PP
	7702714	EPDM O-Ring Piston (Small side)	-	PP
	7702895	Open-End Cartridge w/Retainer & Plug	50mL	Nylon
4:1	7702896	Open-End Cartridge w/Retainer & Plug	42mL	PP
	7702705	EPDM O-Ring Piston (Large side)	-	PP
	7702721	EPDM O-Ring Piston (Small side)	-	PP
10:1	7702900	Open-End Cartridge w/Retainer & Plug	37mL	PP
	7702705	EPDM O-Ring Piston (Large side)	-	PP
	7702728	EPDM O-Ring Piston (Small side)	-	PP
	7702902	Open-End Cartridge w/Retainer & Plug	37mL	Nylon
	7702732	EPDM O-Ring Piston (Small side)	-	Nylon

Recommended Mixers

- Series 295 Turbo™ Bayonet Mixers
- Series 190 Spiral™ Mixers

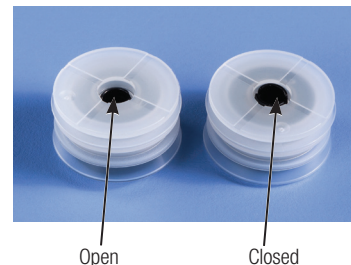
Recommended Dispensers

Contact Nordson EFD to configure to configure a precision dispense system that meets system that meets your specific needs.

- 50mL Manual Dispenser
- Equalizer Dispensing Tool
- 50mL Caulking Gun Conversion Kit

Recommended Pistons

The AF Air-Free Piston is recommended for the 1:1 ratio 50mL cartridge. The AF piston does a superior job of venting all of the air between the material and the piston. Its unique design does not require a shim to bleed the air, nor does it require a second step to insert a center bleed plug. This piston bleeds air around the circumference of the black plug and uses the force of hitting the material to close itself in a single step.



The AF piston provides a more visible indication when the piston is completely closed, i.e. the black center plug is flush with the top of the piston. Further, since the material of construction of the AF piston is a PE/PBT combo, it is compatible with most materials, simplifying inventory.

Other available pistons include Solid O-ring, Solid Multi-seal Pistons, and Multi-seal Pistons with Pre-staged Center Bleed Plug.



For Nordson EFD sales and service in over 40 countries, contact Nordson EFD or go to www.nordsonefd.com.

Global

800-556-3484; +1-401-431-7000
info@nordsonefd.com

Europe

00800 7001 7001
infoefd.europe@nordsonefd.com

Asia

China: +86 (21) 3866 9006; china@nordsonefd.com
India: +91 80 4021 3600; india@nordsonefd.com
Japan: +81 03 5762 2760; japan@nordsonefd.com
Korea: +82-31-736-8321; korea@nordsonefd.com
SEAsia: +65 6796 9522; sin-mal@nordsonefd.com

©2024 Nordson Corporation v010224