

# AGL SERIES

## Large Aperture Ground Fault Relay

AGL Series Large Aperture Ground Fault Relays offer one of the largest aperture diameters in the industry while maintaining a compact overall profile. Intended for sensing earth leakage, the AGL Series offers a choice of N.O. or N.C. latching relays or an SPDT Form C relay with auto-reset. Case features integral DIN rail mounting as standard and optional noise immunity coatings for applications in harsh EMI/RFI environments.

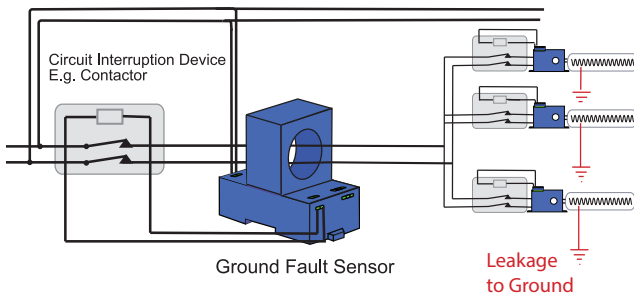


Ground Fault Protection

### Ground Fault Relay Applications

- Replace bulky two-piece sensor solutions which require separate CTs or relay modules.
- Use with shunt trip breakers to provide total ground fault protection to sensitive machine electronics.
- Detect ground faults in resistance/impedance heating, industrial automation and control, theatrical lighting, portable power distribution, and snow melt/heat trace applications.
- Sense progressive levels of ground fault in motors or heating systems to detect deterioration prior to catastrophic failure.

Moisture Ingress on a Submersible Pump Motor



### Ground Fault Relay Features

#### Setpoint Options Maximize Ease-of-Use

- Setpoint options include factory-adjustable setpoint from 5 mA –950 mA or “TR3 Tri-Set” models with field-selectable 5/10/30 mA settings.
- Finger-safe terminals for worry-free installation and operation.
- Aperture orientation is perpendicular to DIN rail, allowing for clean and efficient wiring and minimizing space between multiple components.
- Choice of dependable latching SPST or auto-reset SPDT (form C) electromechanical relay outputs.
- Uses “Zero Sum” operating principle to reliably sense imbalance in magnetic fields associated with current leakage to ground.
- Typical response times from 50 ms to 150 ms.
- Integral “push-to-test” button with LED indication of contact status.

#### DIN Rail Mount\*

- Integral DIN rail mount with spring loaded mounting clips.

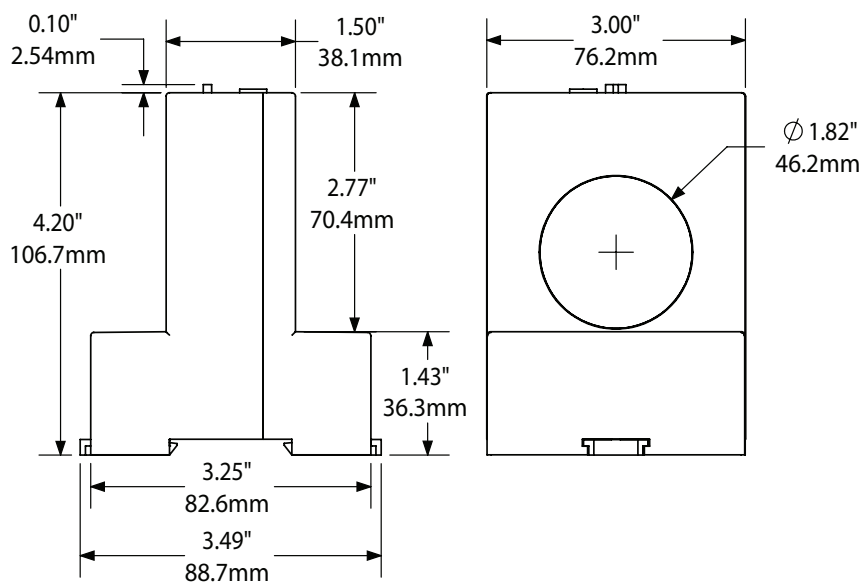
#### UL/cUL and CE Approved.

- Accepted worldwide.

\*For information on the DIN rail accessories kit, see page 147.

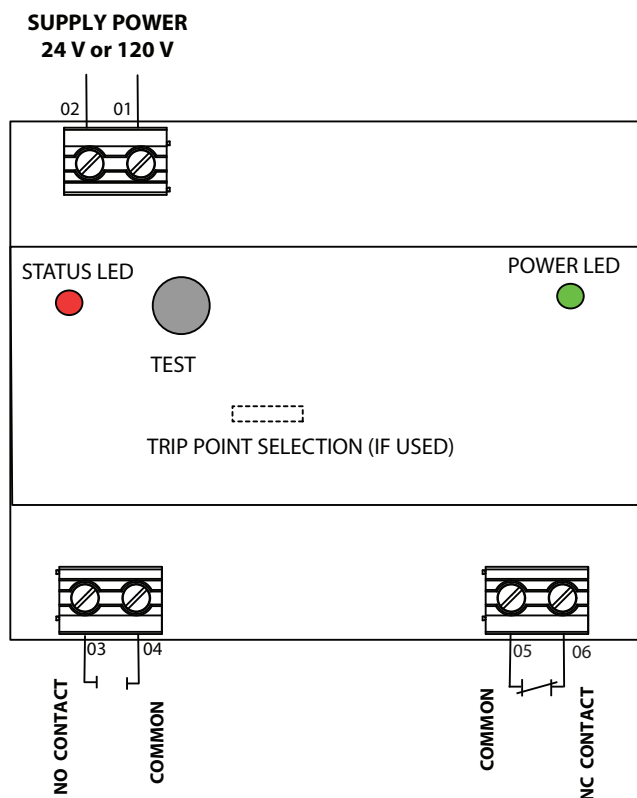
For additional Application Examples, go to [www.nktechnologies.com/applications](http://www.nktechnologies.com/applications)

### Ground Fault Relay Dimensions

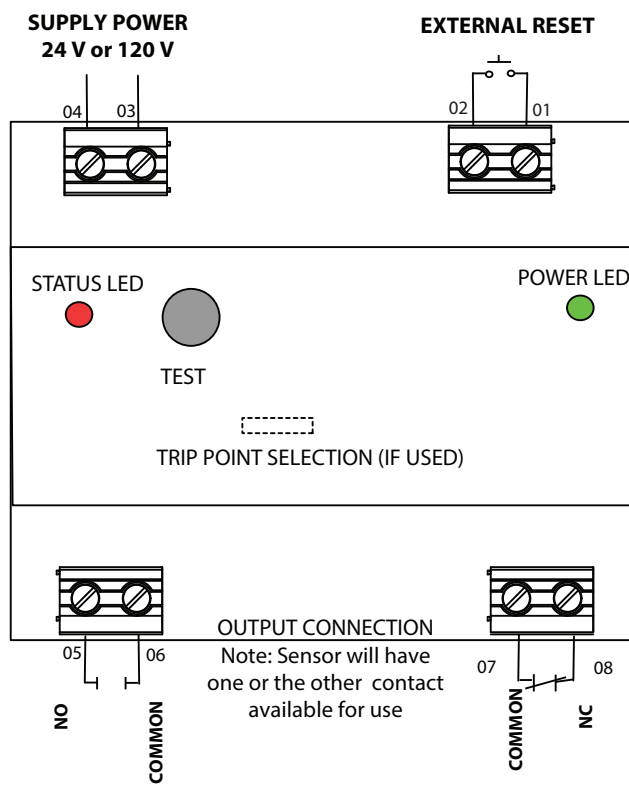


### Ground Fault Relay Connections

Auto-Reset



Latching



OEMs

Test & Evaluation Units for OEMs

Free program expedites evaluation process. See page 3 for details.



**Ground Fault Relay Specifications**

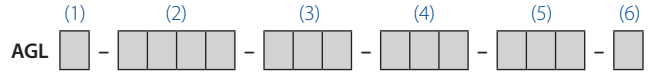


<b>Power Supply</b>	<ul style="list-style-type: none"> <li>• 120 VAC (66–132 V)</li> <li>• 24 VAC/VDC (19–29 V)</li> </ul>
<b>Power Consumption</b>	2.5 VA
<b>Setpoint Range</b>	Factory-calibrated models (specify when ordering): <ul style="list-style-type: none"> <li>• AGL1: 5–100 mA (005–100)</li> <li>• AGL2: 80–950 mA (080–950)</li> </ul> TR3 “Tri-set” models (field jumper select): <ul style="list-style-type: none"> <li>• AGL3: 5, 10, or 30 mA (defaults to lowest setpoint, 5 mA, when jumper is removed)</li> </ul>
<b>Output Switch</b>	Electromechanical SPDT relay
<b>Output Rating</b>	1 A @ 120 VAC, 2 A @ 30 VDC
<b>LED Display</b>	<ul style="list-style-type: none"> <li>• Green LED = Power On indication</li> <li>• Red LED = Tripped Output Relay indication</li> </ul>
<b>Response Time</b>	<ul style="list-style-type: none"> <li>• 150 ms @ 5% over setpoint</li> <li>• 100 ms @ 50% over setpoint</li> <li>• 50 ms @ 500% over setpoint</li> </ul>
<b>Time Delay</b>	None
<b>Noise Immunity</b>	<ul style="list-style-type: none"> <li>• EMI/RFI Shielding</li> <li>• Power supply noise filtering</li> </ul>
<b>Isolation Voltage</b>	Tested to 1.5 KV
<b>Frequency Range</b>	50–60 Hz (monitored circuit)
<b>Case</b>	UL94 V-0 Flammability Rated
<b>Environmental</b>	-4 to 122°F (-20 to 50°C) 0–95% RH, non-condensing
<b>Listings</b>	UL/cUL, CE

**Ground Fault Relay Ordering Information**

Sample Model Number: AGL1-NOR1-120-LA-005

Ground fault relay with normally open SPST latching relay output, 120 VAC power supply and 5 mA trip point.



**(1) Setpoint Range**

1	5–100 mA factory set
2	80–950 mA factory set
3	5/10/30 mA jumper set

**(2) Output Type**

NCR1	Normally Closed SPST Relay Form B (Available only with -LA option)
NOR1	Normally Open SPST Relay Form A (Available only with -LA option)
SDT1	SPDT Relay (Form C) with auto-reset (Available only with -DEN and -ENE options)

**(3) Power Supply**

120	120 VAC
24U	24 VAC/VDC

**(4) Options**

ENE	Normally energized, auto-reset (SDT1 output only)
DEN	Normally de-energized, auto-reset (SDT1 output only)
LA	Latching (NOR1 and NCR1)

**(5) Setpoint**

TR3	(Tri-set AGL3 only)
005 to 950	Factory set trip point in mA (AGL1 and AGL2 only)

**(6) Noise Immunity**

N	Noise immunity
	None (blank)

**Ground Fault Relay Output Tables**

**Normally Energized Models (-ENE Option)**

Protection from faults and control power loss.

	Control Power Applied		
	No Power	No Fault	Fault
N.C. Normally Closed	closed	open	closed
N.O. Normally Open	open	closed	open

**Normally De-energized Models (-DEN Options)**

Protection from faults only when power is applied.

	Control Power Applied		
	No Power	No Fault	Fault
N.C. Normally Closed	closed	closed	open
N.O. Normally Open	open	open	closed