

AS1 SERIES

Current Sensing Switches

AS1 Series Current Sensing Switches combine a current transformer, signal conditioner and limit alarm into a single package for use in status monitoring or proof of operation applications. Offering an extended setpoint range of 1–150 A and universal, solid-state outputs, the self-powered AS1 can be tailored to provide accurate and dependable digital indication of overcurrent conditions across a broad range of applications. Available in solid-core case styles or in a split-core case to maximize ease of installation.



Current Sensing Switch Applications

Electronic Proof of Flow

- Current sensing switches eliminate the need for multiple pipe or duct penetrations and are more reliable than electromechanical pressure or flow switches.

Conveyors

- Detects jams and overloads.
- Interlocks multiple conveyor sections.

Lighting Circuits

- Proof positive that the lamp is energized.

Electrical Heaters

- Faster response than temperature sensors.

Current Sensing Switch Features

Universal Output

- N.O. or N.C. solid-state switch for control circuits up to 240 VAC/DC.
- Compatible with most automation systems.

Self-powered

- Cuts installation and operating costs.

Easily Adjustable Setpoint

- Speeds startup.

Solid or Split-core Case

- Versions tailored for each installation.

LED Indication

- Provides quick visual indication of contact status.

Built-in Mounting Feet

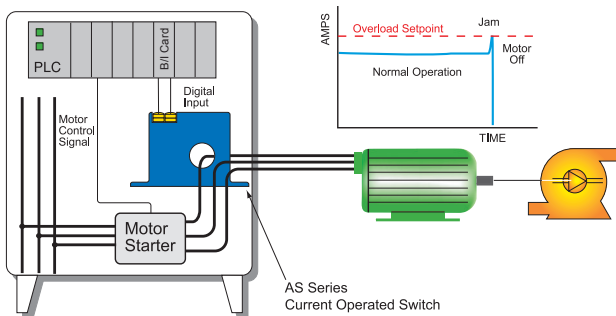
- Simple, two-screw panel mounting or attach with DIN rail brackets (included).*

UL/cUL and CE Approved

- Accepted worldwide.

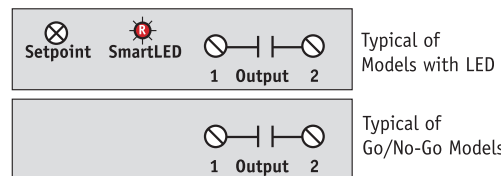
*For information on the DIN rail accessories kit, see page 147.

Pump Jam & Suction Loss Protection



For additional Application Examples, go to www.nktechnologies.com/applications

Current Sensing Switch Connections



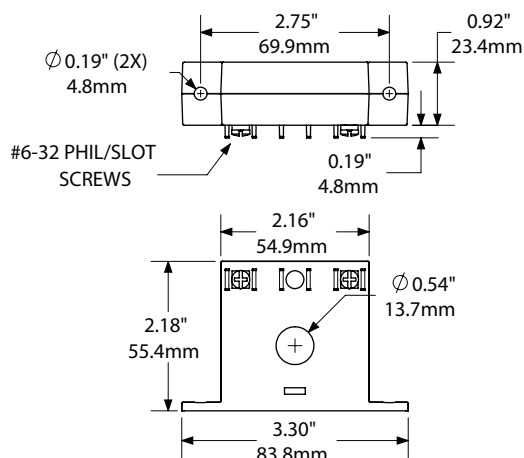
Test & Evaluation Units for OEMs

Free program expedites evaluation process. See page 3 for details.

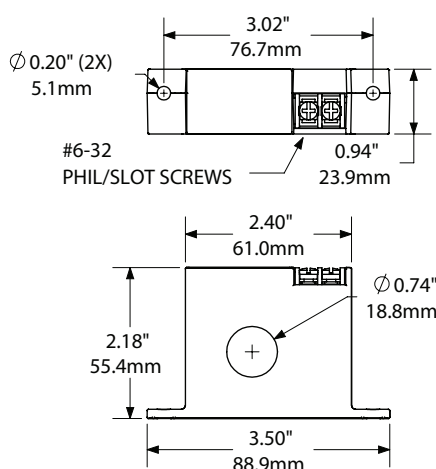


Current Sensing Switch Dimensions

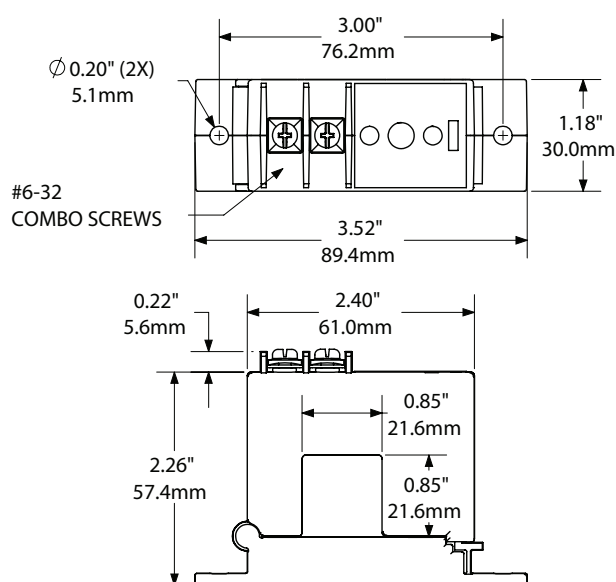
FF Case



FT Case



SP Case



Current Sensing Switch Specifications



Power Supply	None, self-powered																
Setpoint Range	<ul style="list-style-type: none"> • Solid-core: 1–150 A (adjustable-specific models) • Split-core: 1.75–150 A (adjustable-specific models) 																
Output Switch	Isolated solid-state switch																
Output Rating	<ul style="list-style-type: none"> • N.O. Version: 0.15 A @ 240 VAC or VDC • N.C. Version: 0.2 A @ 135 VAC or VDC • Not polarity sensitive 																
Off-state Leakage	<10 μ A																
Response Time	120 ms max.																
Time Delay	None																
Hysteresis	5% of Setpoint																
Overload	<table border="1"> <thead> <tr> <th>MODEL</th> <th>CONTINUOUS</th> <th>6 SEC.</th> <th>1 SEC.</th> </tr> </thead> <tbody> <tr> <td>• -GO (NOU)</td> <td>• 250 A</td> <td>• 500 A</td> <td>• 1000 A</td> </tr> <tr> <td>• -GO (NCU)</td> <td>• 150 A</td> <td>• 400 A</td> <td>• 1000 A</td> </tr> <tr> <td>• All other</td> <td>• 150 A</td> <td>• 400 A</td> <td>• 1000 A</td> </tr> </tbody> </table>	MODEL	CONTINUOUS	6 SEC.	1 SEC.	• -GO (NOU)	• 250 A	• 500 A	• 1000 A	• -GO (NCU)	• 150 A	• 400 A	• 1000 A	• All other	• 150 A	• 400 A	• 1000 A
MODEL	CONTINUOUS	6 SEC.	1 SEC.														
• -GO (NOU)	• 250 A	• 500 A	• 1000 A														
• -GO (NCU)	• 150 A	• 400 A	• 1000 A														
• All other	• 150 A	• 400 A	• 1000 A														
Isolation Voltage	UL listed to 1480 VAC																
Frequency Range	6–100 Hz																
Case	UL94 V-0 Flammability Rated																
Environmental	-4 to 122°F (-20 to 50°C) 0–95% RH, non-condensing																
Listings	UL /cUL, CE																

Current Sensing Switch Ordering Information

Sample Model Number: AS1-NOU-SP

Adjustable AC current sensing switch, normally open, split-core case. (DIN rail adapters are included)



(1) Output Rating

NOU	Normally Open
NCU	Normally Closed

(2) Case Style

FF	Solid-core, front terminal
FT	Solid-core, top terminal
SP	Split-core

(3) Options

	Standard, with LED (blank)
GO	Non-adjustable; output changes with min. current present (solid-core 0.75 A, split-core 1.25 A)
NL	No LED
Y39	Output Bypass Switch (not UL listed) – available for FT case only

