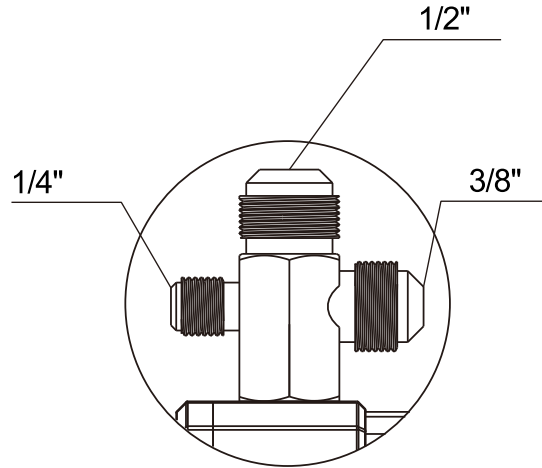
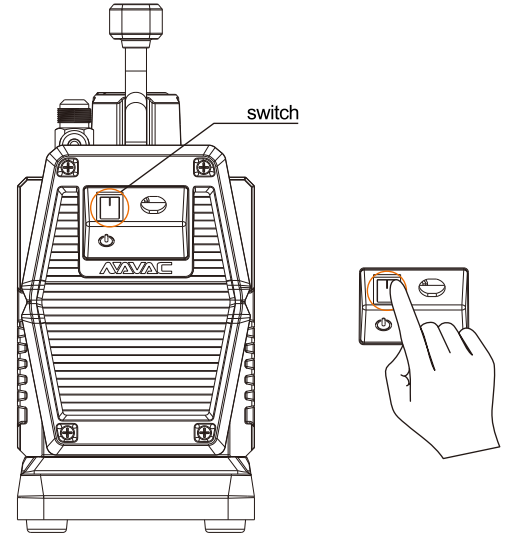


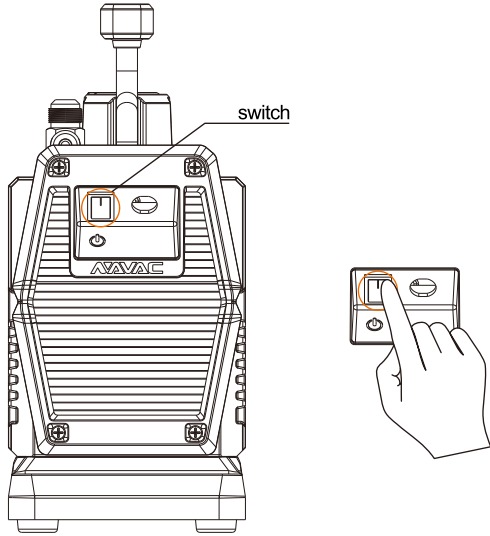
1. Connect the pump to the AC system.



2. Press the power switch to start vacuum pump.



3. Press the power switch button to stop pump if necessary.



Note:

1. It's not suitable for class A3 refrigerants and toxic refrigerants of class B2, B3.
2. Analog gauge can only display vacuum level in a range of 0 to -30 InHg. For more precise vacuum measurement, use an external digital micron gauge.