

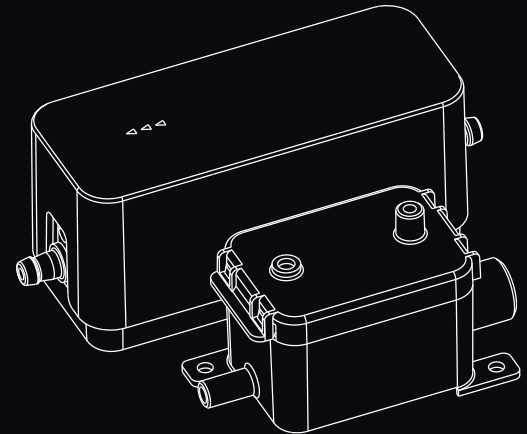


Empowering you to work smarter

NCA10

Mini Condensate Pump

User Manual



NAVAC Inc.
www.NavacGlobal.com
Tel/Fax: +1 877 MY-NAVAC
877 696 2822
MADE IN PRC



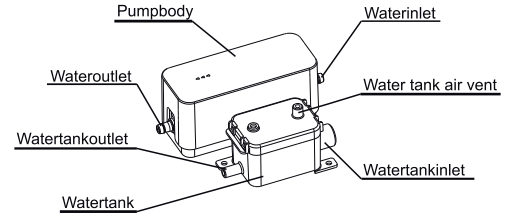
Failure to follow warnings could
result in death or serious injury.

SAFETY PRECAUTIONS

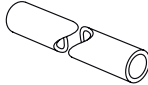




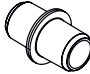

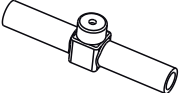
CONTENTS

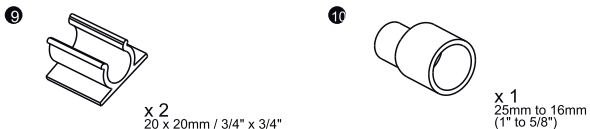
I. Structure	1
II. Accessories	2
III. Dimensional Drawing(unit:mm)	3
IV. TechnicalParameters	3
V. FlowRate	9
VI. OperationNote	9
VII. InstallationSteps	
VIII. Common Troubleshooting	
IX. ScopeofWarranty	

I. Structure

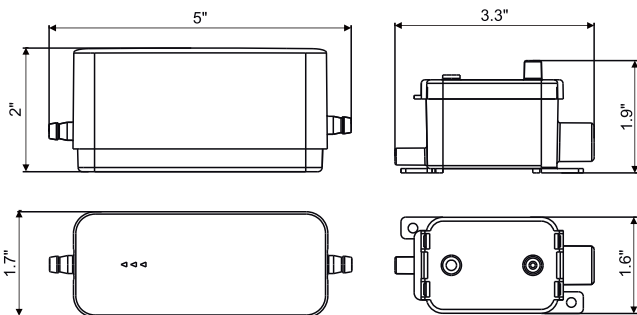


II. Accessories

- | | |
|--|--|
| <p>❶ </p> <p>x 1
100mm / 4"
14mm / 1/2"</p> | <p>❷ </p> <p>x 1
1.5m / 5'
6mm / 1/4"</p> |
| <p>❸ </p> <p>x 1
150mm / 6"
6mm / 1/4"</p> | <p>❹ </p> <p>x 1
16mm / 5/8"</p> |
| <p>❺ </p> <p>x 7
(x3) 100 / 4"
(x4) 300 / 12"</p> | <p>❻ </p> <p>x 1
16mm / 5/8"</p> |
| <p>❽ </p> <p>x 2
(x1) 1" x 2 3/4"mm
(x1) 1" x 1 5/8"mm</p> | <p>❾ </p> <p>x 1
50mm / 2"
(8mm / 3/8")</p> |



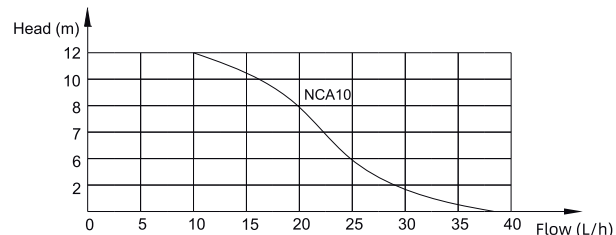
III. Dimensional Drawing (Unit: inch)



IV. Technical Parameters

Model	NCA10
Voltage	100240V/50-60Hz
Discharge head (Max.)	10m / 33t
Flow rate (Max.)	40L/h / 10.6 US GPH
Effective water tank capacity	50ml
Unit output (Max.)	13kW / 45,000btu/h
Noise at 1m	21dB(A)
Applicable ambient temperature	32~122°F

V.FlowRate

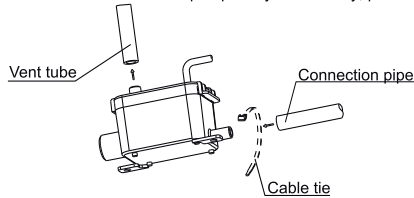


VI.OperationNote

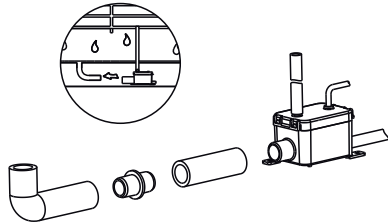
- The condensate pump is only applicable to the condensate water of air conditioner units, but not applicable to any other corrosive liquids.
- Avoid immerse in water and used as a submerged pump; otherwise, it may cause electric shock.
- Upon installation or adjustment, please ensure that the condensate pump is disconnected from the power supply.
- Installation and maintenance shall be operated by professionals, in order to avoid the occurrence of danger.
- Please use the condensate pump in indoor environment, and do not use the equipment in the oil mist environment, especially in dusty environment.
- Proper use and maintenance can prolong the service life of the product. It is recommended to check and clean the draining pump of the air conditioner before seasonal changes and each year before use.
- Please use a dedicated power line to ensure continuous power supply.
- Please select a condensate pump with appropriate pumping speed in accordance with the air-conditioner's refrigerating capacity, otherwise water overflow may be caused by failure of timely water discharge by the condensate pump due to excessive water inflow in a short time, besides, frequent startup and continuous operation of the motor may also lead to overheating and malfunction.
- A relay is embedded inside the condensate pump, which will actuate and cut off the power supply to the air conditioner unit once the warning water level is exceeded. In this case, promptly turn off the air conditioner, document the issue, and contact a professional for inspection.

VII. Installation Steps

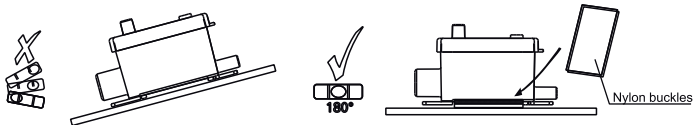
1. Connect the vent tube to the air vent of the water tank (accessory ③).
2. Connect the water outlet of the water tank with the connection pipe (accessory ②), wrap the joint with a cable tie to secure the pump firmly and reliably, preventing vibration (accessory ⑤).



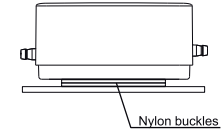
3. Connect the water inlet of the water tank with the outlet pipe of the air conditioner.



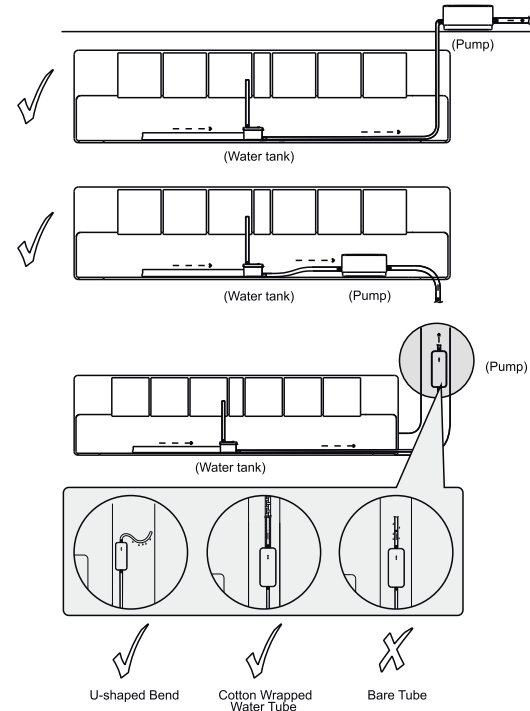
4. Place the water tank horizontally. Use the mounting holes at the bottom to secure it with bolts, or attach it with nylon buckles (accessory ⑦), to reduce vibration noise.



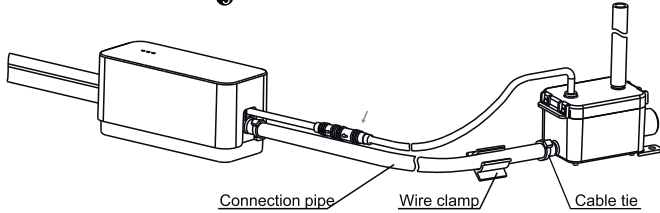
5. Secure the pump body properly by putting nylon buckles (accessory ⑦) onto the bottom of the pump firmly and reliably, to reduce abnormal noise arising from vibration.



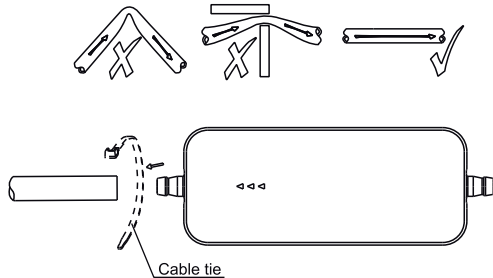
6. Refer to the following diagram for pump layout.



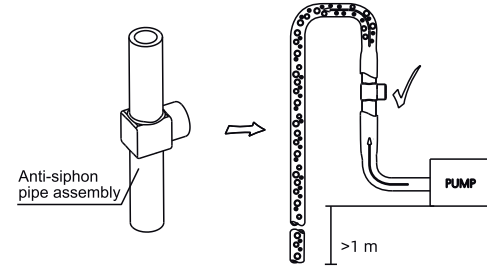
7. Connect the signal lines and water pipes between the water tank and pump body. Attention shall be paid to connect the connection pipe (accessory ②) to the water inlet end of the pump body by fixing it with cable tie (accessory ⑤). The connection pipe can be fixed with wire clamp (accessory ③).



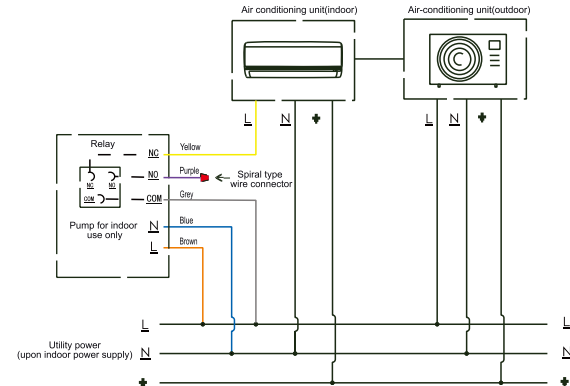
8. Connect the pump body's water outlet to the water outlet pipe. The outside pipe is $\Phi 6\text{mm} \times \Phi 9\text{mm}$ (inner diameter x outer diameter). The water pipe joint is fixed with cable tie. Please note that the water pipe cannot be bent or blocked.

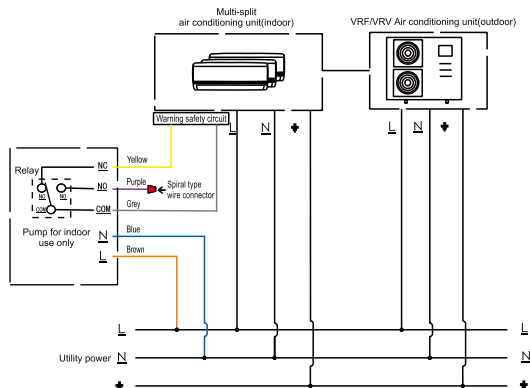


9. If the vertical distance between the water pipe bottom and the pump body exceeds 1 meter, it may cause a siphon effect. To prevent this, attach the anti-siphon tube assembly (accessory ⑧). Position the anti-siphon tube assembly above the pump body height.



10. The power cable has 5 wires: the blue and brown wires are for power supply. The purple, yellow, and gray wires are signal wires for the relay. Refer to the schematic diagram to connect the power cable correctly.





Terminals NO or NC should be connected based on the specific air conditioner system, and any unused terminals should be covered with spiral-type wire connectors. For a standard air conditioner system, connect terminal NC to the system.

11. Check that all water pipes and electric wires are connected correctly, and power on the air conditioner unit and the condensate pump.
12. Use a container with water to slowly fill the water into the air conditioner unit's evaporator tray, and observe whether the draining pump can operate normally and if any water leakage from the pipeline.
13. A relay is embedded in the condensate pump, and once the water level exceeds the limit water level due to insufficient water discharge, the relay will actuate to shut down the air conditioner unit, and recover the power supply if the water level becomes controlled within limits.
14. Following completion of the above test, if the condensate pump can function properly, then the installation is complete.

VIII. Common Troubleshooting

Fault	Fault Causes	Fault Removal Method
The draining pump fails to be started normally	The power cord does not work.	Check whether the power cable is plugged and whether the power source is on
	The signal line is not connected properly.	Check that the signal lines are plugged properly.
	Electrode surface contamination	Regularly clear the water inlet cotton filter, water tank and water level electrode surface
	Tilted pump placement	Check and adjustment of water tank level through the mini-type horizontal column
Excessive operation noise of condensate pump	Siphonic effect leads to decrease of water volume in the pipeline, and air in the water in the preliminary stage of water pumping leads to excessive noise	Raise the height of the discharge pipe's outlet or the external anti-siphon elements
	The outlet pipe is squeezed or bent, leading to obstruction of water discharge	Check the discharge pipe layout
Water overflow	The outlet pipe is squeezed or bent, leading to obstruction of water discharge	Check the discharge pipe layout
	The water inlet's cotton filter is obstructed without clearance	Regularly clear foreign matters on the discharge outlet's cotton filter, and also clear the accumulated dust on the air-conditioner condenser

IX. Scope of Warranty

The scope of warranty is as follows:

1. As verified by qualified detection institutions, the product is deemed to be defective;
2. The product is dismantled and repaired without authorization;
3. Provided that the product is used and operated correctly in accordance with the Operating Instructions, then all warranty services in relation to the product shall be available only in the warranty period.
4. The product's warranty period is one year.

Correct Disposal of this product:

This marking indicates that this product should not be disposed with other household wastes throughout the EU. To prevent possible harm to the environment or human health from uncontrolled waste disposal, please use the return and collection systems or contact the retailer where the product was purchased. They can take this product for environmental safe recycling.

