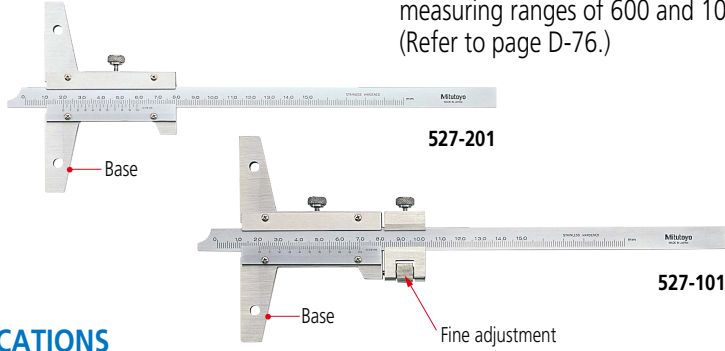


# Depth Gage

## Vernier Depth Gage SERIES 527

- Standard gage for depth measurement.
- Optional longer extension bases are available. (Except for models with measuring ranges of 600 and 1000 mm). (Refer to page D-76.)



### SPECIFICATIONS

Metric					
Order No.	Range (mm)	Minimum reading (mm)	Base (W×T) (mm)	Maximum permissible error $E_{MPE}$ (mm)*	Remarks
527-201	0 - 150	0.05	100×6.5	±0.05	—
527-202	0 - 200			±0.08	—
527-203	0 - 300			±0.10	—
527-204	0 - 600	250×10		±0.10	—
527-205	0 - 1000			±0.15	—

Metric					
Order No.	Range (mm)	Minimum reading (mm)	Base (W×T) (mm)	Maximum permissible error $E_{MPE}$ (mm)*	Remarks
527-101	0 - 150	0.02	100×6.5	±0.03	with fine adjustment
527-102	0 - 200			±0.04	
527-103	0 - 300			±0.05	
527-104	0 - 600		±0.07		
527-105	0 - 1000				

Inch					
Order No.	Range (in)	Minimum reading (in)	Base (W×T) (in)	Maximum permissible error $E_{MPE}$ (in)*	Remarks
527-111	0 - 6	0.001	3.93×0.25	±0.001	with fine adjustment
527-112	0 - 8			±0.0015	
527-113	0 - 12			±0.002	
527-114	0 - 24		±0.003		
527-115	0 - 40				

\* Maximum permissible error,  $E_{MPE}$ , is the term (notation) used in JIS B 7518: 2018, revised based on ISO/TR 14253-6: 2012.

### DIMENSIONS

