



Item # _____

Job _____



Starsys™ Catheter Storage System

STARSYS™ CATHETER STORAGE SYSTEM

Designed for environments where aesthetics are important and cleanliness is essential, Starsys™ is a highly organized system that meets the demands for storage, transport and productivity centers. This modular system provides solutions that can be easily reconfigured to meet the rapid and constant change in today's healthcare environment. Catheter storage is a prime example of how Starsys can be configured to meet a specific application.

The Starsys catheter storage module is a high-density storage solution, which provides quick access and retrieval, visual inventory and easy identification.

- **Accessible** — Each slide on the catheter module offers full extension, which brings the catheters into full view allowing quick access and visual inventory of remaining stock.
- **High Density** — Each module can accommodate up to 5 slides. The maximum capacity for a slide is 120 catheters. Maximum capacity for a module is 360 catheters. The standard configuration is one shelf, 3 slides, 30 labels and 15 hooks (180 catheters).
- **Adjustable** — The catheter module is removable without tools and can be adjusted vertically on 1 1/2" (38mm) increments.
- **Flexible Configurations** — The catheter module may be positioned in the top of a cabinet for maximum storage length. You may put multiple catheter modules in a single bay for the storage of shorter catheters, or you may combine with drawers. A cabinet can be designed with a configuration to fit your needs without extending the lead-time.
- **Versatile** — The catheter module may also be used as a general storage level when storage is required above catheters.



*MICROBAN® antimicrobial product protection helps keep surfaces "cleaner between cleanings" by inhibiting the growth of mold, mildew, fungus, and bacteria that cause odors and stains on the shelf surface. MICROBAN® and the MICROBAN® symbol are registered trademarks of the Microban Products Company, Huntersville, NC.



Metro incorporates several elements in its product design to support a facility's cleaning protocols:

- Microban® antimicrobial protection helps prevent the growth of stain and odor causing bacteria on the product.
- Advanced polymer and other proprietary finishes provide corrosion resistance
- Smooth rounded corners to allow for easier cleaning

Look for the "red check" symbol for this added protection.



InterMetro Industries Corporation
North Washington Street
Wilkes-Barre, PA 18705
www.metro.com

45-50



STARSYS™ CATHETER STORAGE SYSTEM

Starsys Catheter Storage

SXRCATH*



The SXRCATH catheter module is an accessory for a stationary or mobile Starsys unit configured with corrugated polymer inner panels.

- Consists of 1 shelf, 3 slides, 30 labels and 15 hooks
- Shelf is predrilled to accommodate up to 5 slides
- Shelf locks into place so it does not pull out as slide is extended
- Removable without tools
- Adjustable vertically on 1½" (38mm) increments

**Some assembly required*

- Dual role:
 - Storage of hanging catheters below
 - Also serves as a shelf for supplies
- Shelf is epoxy-coated steel
- Weight Capacity: 75 lbs. (34kg)
(Includes weight of slides, catheters and supplies)
- Dimensions: 6³/₈"H x 17⁷/₈"W x 21"D
(162 x 454 x 533mm)
- Shipping Weight: 29 lbs. (13.2 kg)

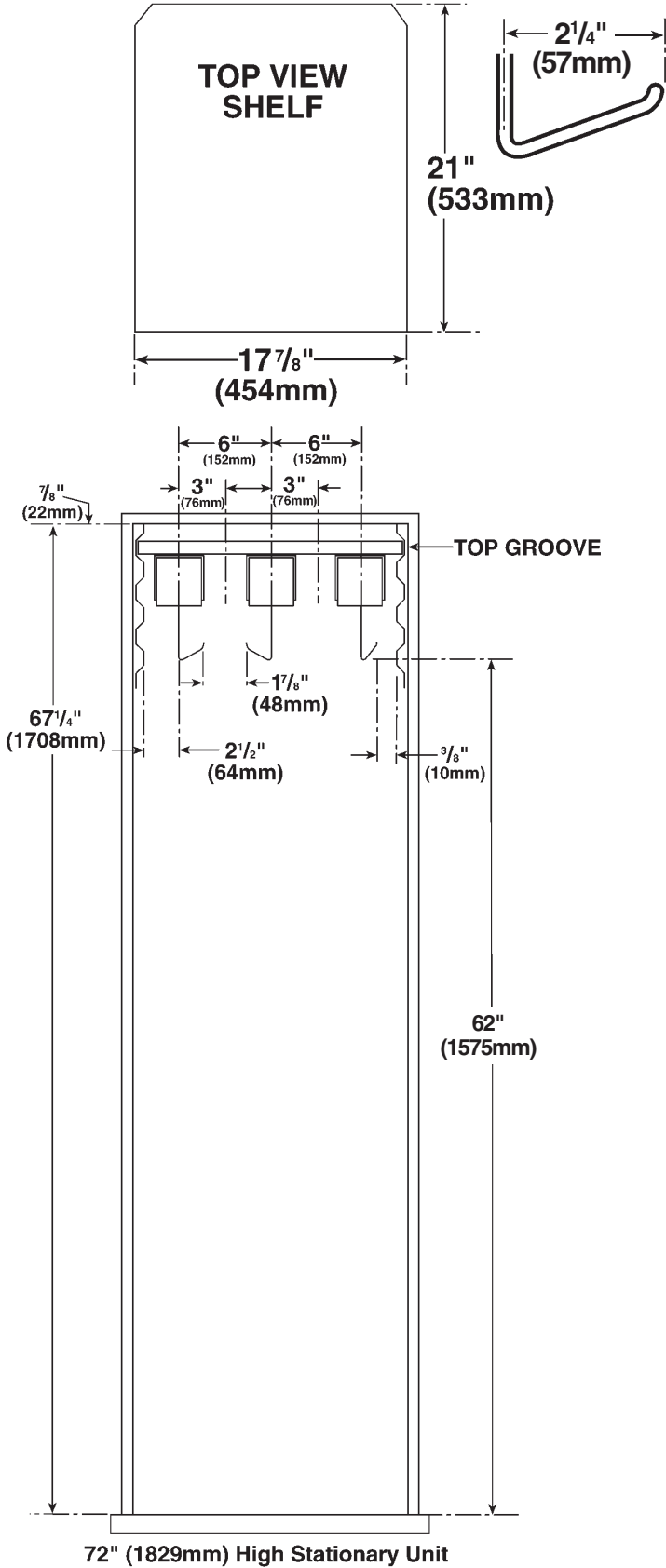
SXRCATHSLD



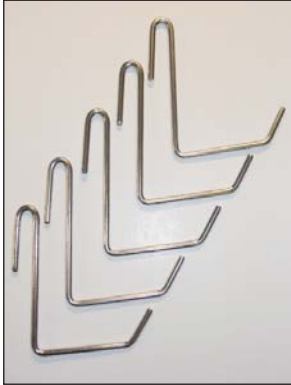
The SXRCATHSLD is a full extension catheter slide that works in conjunction with the catheter shelf assembly. Up to two additional SXRCATHSLD can be added to the SXRCATH.

- Consists of 1 slide, 10 labels and 5 hooks
- Installs onto SXCATH easily with the turn of a screw
- Built-in stop keeps slide from extending when closed
- Can hold up to total of 10 hooks
- Hooks can be oriented in one of three ways: Left, Right or Straight Forward
- Pull handle also serves as label holder
- Label Size: 2½"W x 3⁷/₈"H (64 x 98mm)
- Weight Capacity (per slide): 25 lbs. (11kg)
- Slide Extension: 20" (508mm)
- Shipping Weight: 7¼ lbs. (3.3 kg)

STARSYS™ CATHETER STORAGE SYSTEM



SXRCATHHK



The catheter hook can be installed on the slide without tools. The hook can be rotated on 90 degree intervals so the catheters can hang off to the left of the slide, to right of the slide or directly below the slide. Maximum storage capacity can be attained with three slides (10 hooks per slide) when the hooks alternate left to right from slot to slot.

- Consists of 1 bag of 5 hooks
- Capacity: Up to 12 catheters
- Maximum Weight Capacity (per hook): 5 lbs. (2kg)



STARSYS™ CATHETER STORAGE SYSTEM

Preconfigured Units — Catheter Storage Hinged-Door Catheter Storage Units

**Model No. SXRS76MCATH1**

Consists of:

- 78³/₈"H Single Wide Mobile Shell
- (1) Catheter Shelf
- (3) Catheter Slides & 30 labels
- (15) Catheter Hooks
- Left-hinged 270° tall solid door with M300 series keylock & 2 keys
- Taupe Door Pull
- Capacity: 180 catheters (up to 300 with an additional 15 hooks)
- Maximum Length: 62" (1575mm)

- Overall Dimensions: 78³/₈"H x 22.7"W x 24.9"D (1991 x 577 x 633mm)

**Model No. SXRD76MCATH1**

Consists of:

- 78³/₈"H Double Wide Mobile Shell
- (2) Catheter Shelves
- (6) Catheter Slides & 60 labels
- (30) Catheter Hooks
- Left-hinged 270° tall solid door with M300 series keylock & 2 keys
- Right-hinged 270° tall solid door with M300 series keylock & 2 keys

- Taupe Door Pulls
- Capacity: 360 catheters (up to 720 with an additional 30 hooks)
- Maximum Length: 62" (1575mm)
- Overall Dimensions: 78³/₈"H x 42.5"W x 24.9"D (1991 x 1080 x 633mm)

**Model No. SXRD76MCATH2**

Consists of:

- 78³/₈"H Double Wide Mobile Shell
- Left-side push handle
- Left Bay**
- 2 Polymer Shelves
- (1) 30" Left-hinged 225° solid non-locking door
- (1) 3" Drawer
- (2) 6" Drawers
- (2) 9" Drawers

Right Bay

- (1) Catheter Shelf
- (3) Catheter Slides & 30 labels
- (15) Catheter Hooks
- Right-hinged 270° tall solid door with M300 series keylock & 2 keys
- Taupe Door & Drawer Pulls
- Capacity: 180 catheters (up to 300 with an additional 15 hooks)
- Maximum Length: 62" (1575mm)
- Overall Dimensions: 78³/₈"H x 42.5"W x 24.9"D (1991 x 1080 x 633mm)

Recommended Mobile Unit Accessory:**Model No. SXREHAN**

Extended Push/Pull Handle (improves steering if unit is to be frequently moved).

Additional Accessories: Full-depth catheter storage unit accessories can be found online in Metro's Healthcare Solutions Guide (Cart & Cabinet Accessories section) at www.metro.com.

**Model No. SXRS72SCATH1**

Consists of:

- 72.5"H Single Wide Stationary Shell
- (1) Catheter Shelf
- (3) Catheter Slides & 30 labels
- (15) Catheter Hooks
- Left-hinged 225° tall solid door with M300 series keylock & 2 keys
- Taupe Door Pull
- Capacity: 180 catheters (up to 300 with an additional 15 hooks)
- Maximum Length: 62" (1575mm)
- Overall Dimensions: 72.5"H x 21.5"W x 23.4"D (1842 x 546 x 594mm)

**Model No. SXRD72SCATH1**

Consists of:

- 72.5"H Double Wide Mobile Shell
- (2) Catheter Shelves
- (6) Catheter Slides & 60 labels
- (30) Catheter Hooks
- Left-hinged 225° tall solid door with M300 series keylock & 2 keys
- Right-hinged 225° tall solid door with M300 series keylock & 2 keys

- Taupe Door Pulls
- Capacity: 360 catheters (up to 720 with an additional 30 hooks)
- Maximum Length: 62" (1575mm)
- Overall Dimensions: 72.5"H x 41.3"W x 23.4"D (1842 x 1049 x 594mm)

**Model No. SXRD72SCATH2**

Consists of:

- 72.5"H Double Wide Mobile Shell
- Left Bay**
- 2 Polymer Shelves
- (1) 30" Left-hinged 225° solid non-locking door
- (1) 3" Drawer
- (2) 6" Drawers
- (2) 9" Drawers

Right Bay

- (1) Catheter Shelf
- (3) Catheter Slides & 30 labels
- (15) Catheter Hooks
- Right-hinged 225° tall solid door with M300 series keylock & 2 keys
- Taupe Door Pulls
- Capacity: 180 catheters (up to 300 with an additional 15 hooks)
- Maximum Length: 62" (1575mm)
- Overall Dimensions: 72.5"H x 41.3"W x 23.4"D (1842 x 1049 x 594mm)

Recommended Stationary Unit Accessory:**Model No. SXR72BKFLR**

Back Filler Kit (covers the gap between the backside of a stationary unit and the wall).

Additional Accessories: Full-depth catheter storage unit accessories can be found online in Metro's Healthcare Solutions Guide (Cart & Cabinet Accessories section) at www.metro.com.

STARSYS™ CATHETER STORAGE SYSTEM

Preconfigured Units — Catheter Storage Tambour Door Mobile Catheter Storage Units



Model No. SXRS83MCATHTD

Consists of:

- 83"H Single Wide Mobile Shell
- (1) Catheter Shelf
- (3) Catheter Slides & 30 labels
- (15) Catheter Hooks
- (1) Polymer Shelf
- Full-height tambour door with M300 series keylock & 2 keys
- Capacity: 180 catheters (up to 300 with an additional 15 hooks)
- Maximum Length: 62" (1575mm) without poly shelf
- Overall Dimensions: 83"H x 22.7"W x 27.9"D (2108 x 577 x 709mm)



Model No. SXRD83MCATHTD

Consists of:

- 83"H Double Wide Mobile Shell
- (2) Catheter Shelves
- (6) Catheter Slides & 60 labels
- (30) Catheter Hooks
- (2) Polymer Shelves
- Full-height tambour door with M300 series keylock & 2 keys
- Capacity: 360 catheters (up to 720 with an additional 30 hooks)
- Maximum Length: 62" (1575mm) without poly shelves
- Overall Dimensions: 83"H x 42.5"W x 27.9"D (2108 x 1080 x 709mm)

Recommended TD Mobile Unit Accessory:



Model No. SXREHAN-TMBD

Extended Push/Pull Handle for Tambour Door Mobile Units (improves steering if unit is to be frequently moved).

Additional Accessories: Full-depth catheter storage unit accessories can be found online in Metro's Healthcare Solutions Guide (Cart & Cabinet Accessories) at www.metro.com.

Tambour Door Stationary Catheter Storage Units



Model No. SXRS80SCATHTD

Consists of:

- 80"H Single Wide Stationary Shell
- (1) Catheter Shelf
- (3) Catheter Slides & 30 labels
- (15) Catheter Hooks
- (1) Polymer Shelf
- Full-height tambour door with M300 series keylock & 2 keys
- Capacity: 180 catheters (up to 300 with an additional 15 hooks)
- Maximum Length: 62" (1575mm) without poly shelf
- Overall Dimensions: 80"H x 21.5"W x 25.5"D (2032 x 546 x 648mm)

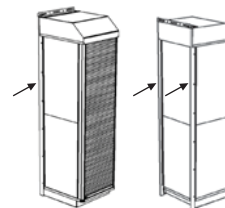


Model No. SXRD80SCATHTD

Consists of:

- 80"H Double Wide Stationary Shell
- (2) Catheter Shelves
- (6) Catheter Slides & 60 labels
- (30) Catheter Hooks
- (2) Polymer Shelves
- Full-height tambour door with M300 series keylock & 2 keys
- Capacity: 360 catheters (up to 720 with an additional 30 hooks)
- Maximum Length: 62" (1575mm) without poly shelves
- Overall Dimensions: 80"H x 41.3"W x 25.5"D (2032 x 1049 x 648mm)

Recommended TD Stationary Unit Accessory:



Model No. SXRBKFLR25TD

Back Filler Kit (covers the gap between the backside of a stationary unit and the wall).

Additional Accessories: Full-depth catheter storage unit accessories can be found online in Metro's Healthcare Solutions Guide (Cart & Cabinet Accessories) at www.metro.com.

Tambour Door Stationary Half-Depth (18") Catheter Storage Units



Model No. SXRS80HCATHTD (Half-Depth)

Consists of:

- 80"H Single Wide Half-Depth Stationary Shell
- (1) Half-Depth Catheter Shelf
- (3) Half-Depth Catheter Slides & 30 labels
- (15) Catheter Hooks
- (1) Half-Depth Polymer Shelf
- Full-height tambour door with M300 series keylock & 2 keys
- Capacity: 180 catheters (up to 240 with an additional 3 hooks)
- Maximum Length: 62" (1575mm) without poly shelf
- Overall Dimensions: 80"H x 21.5"W x 18"D (2032 x 546 x 457mm)

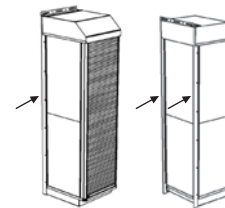


Model No. SXRD80HCATHTD (Half-Depth)

Consists of:

- 80"H Double Wide Half-Depth Stationary Shell
- (2) Half-Depth Catheter Shelves
- (6) Half-Depth Catheter Slides & 60 labels
- (30) Catheter Hooks
- (2) Half-Depth Polymer Shelves
- Full-height tambour door with M300 series keylock & 2 keys
- Capacity: 360 catheters (up to 480 with an additional 6 hooks)
- Maximum Length: 62" (1575mm) without poly shelves
- Overall Dimensions: 80"H x 41.3"W x 18"D (2032 x 1049 x 457mm)

Recommended TD Stationary Unit Accessory:



Model No. SXRBKFLR18TD

Back Filler Kit (covers the gap between the backside of a stationary unit and the wall).



STARSYS™ CATHETER STORAGE SYSTEM

Preconfigured Units — Catheter Storage Tambour Door Stationary Half-Depth (18") Unit Accessories

Half-Depth Unit Accessories

Part Number	Description
CATHETER	
SXRHCATH	HD Catheter Storage Module (Includes Catheter Shelf, (3) Slides & (15) Hooks)
SXRHCATH-SHF	HD Catheter Shelf
SXRHCATHSLD	HD Catheter Slide Assembly w/hooks/5 pack
SXRCATHHK	HD Catheter Hooks — 5 Pack
SXRFXCATH	HD Fixed Catheter Storage Assembly (Includes (1) Hook Rail & (3) Hooks with Labels)
SXRFCAT-HK-3	HD Fixed Catheter Storage Assembly Hooks — 3 Pack
TOTES	
SXRH3TOTE	HD 3" Hanging Tote Box With Frame (includes TB92035NAT Tote & Frame)
SXRH6TOTE	HD 6" Hanging Tote Box With Frame (Includes TB92060NAT Tote & Frame)
SXRH8TOTE	HD 8" Hanging Tote Box With Frame (Includes TB92080NAT Tote & Frame)
SHELVES	
SXRSOHPS	HD Single-wide Poly Shelf
SXRH-VSHFDIV	Single-wide Vertical Shelf Divider Kit with (2) divider brackets & (2) vertical dividers
SXRHVDIV-1	Extra Vertical Shelf Divider
SXRSOHDIV	Divider Kit (Looped Style) for Single-wide Polymer Inner Panels



Fixed Catheter Hook Assembly
SXRFXCATH



Catheter Hooks
SXRFCAT-HK-3



Catheter Storage Module (includes 15 hooks)
SXRHCATH



Catheter Slide (includes 5 hooks)
SXRHCATHSLD



Catheter Slide Hooks (5 Pack)
SXRCATHHK



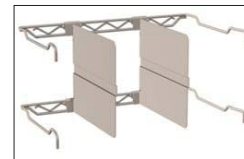
Hanging Tote Box
SXRH6TOTE



Wire Shelf
SXRSOHWE



Solid Shelf Divider Kit
SXRSH-VSHFDIV



The Starsys System



Ultimate Modularity. Unlimited Choices.

All Metro Catalog Sheets are available on our website: www.metro.com



InterMetro Industries Corporation
North Washington Street, Wilkes-Barre, PA 18705
Product Information. U.S. and Canada: 1.800.992.1776
Outside U.S. and Canada: www.metro.com/contactus

L03-199e
Rev. 09/12
Printed in U.S.A.

