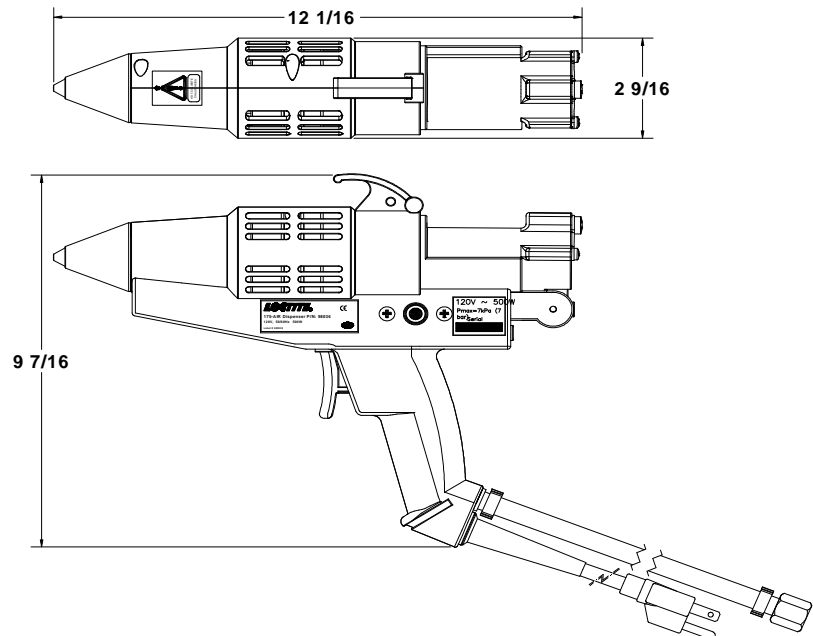
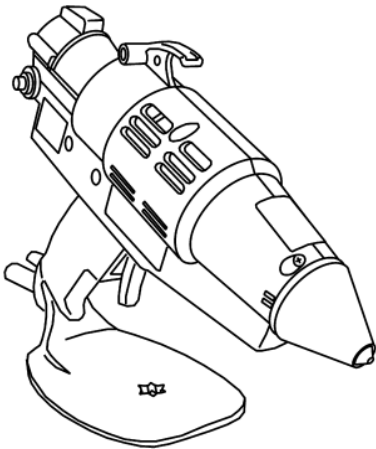


## PRODUCT DESCRIPTION

Loctite® 175-AIR Hot Melt Dispenser is a high output hand-held, pneumatic, hot melt adhesive dispenser. The product is ergonomically designed to heat, melt and dispense all Loctite® structural hot melt products. The 175-AIR Dispenser is designed for high volume, high production industrial environments.

## PRODUCT FEATURES

- Designed for operator comfort and application control
- Low actuation force to reduce finger fatigue
- Fixed precision temperature setting, 195°C
- Electronic temperature control
- Heater: (2) 250 Watt Stainless Steel Cartridges
- Dispenses up to 8.8 pounds per hour
- 1 3/4" Polyshot EVA loading
- Weight 3.89 pounds



## Technical Data

- Utilities: 120 VAC, 50/60 Hz,
- Air Supply 45 psi minimum 100 psi maximum
- Heat-up time: 5-7 minutes
- Heater: (2) 250 Watt Stainless Steel Cartridge

## Hot Melt Dispenser P/N 98036 includes:

- Instruction manual - P/N 985067
- 175-AIR Hot Melt Dispenser
- Dispenser Stand - P/N 985069





**Product Description Sheet**  
**175-AIR Hot Melt Dispenser**  
**Item No. 98036**

**Optional Accessories:**

- Replacement standard nozzle, .06" Dia cone tip - P/N 985225
- 2-hole nozzle - P/N 985110
- 3-hole nozzle - P/N 985111
- Extension nozzle, .14"Dia x 1.23"LG - P/N 985112
- Needle extension nozzle, .05"Dia x 1.32"LG - P/N 985113
- Spreader extension nozzle, (.09".25"SQ) x 1.22"LG - P/N 985114
- "L" Nozzle (ideal for overlap carton sealing) - P/N 985115
- Replacement adapter/check-valve for nozzles - P/N 985088
- T-nozzle (ideal for center-flap carton sealing) - P/N 985116
- Tool Hanger/Balancer - P/N 985243
- Heavy-duty metal stand - P/N 985087

Note  
The data contained herein are furnished for information only and are believed to be reliable. We cannot assume responsibility for the results obtained by others over whose methods we have no control. It is the user's responsibility to determine suitability for the user's purpose of any production methods mentioned herein and to adopt such precautions as may be advisable for the protection of property and of persons against any hazards that may be involved in the handling and use thereof. In light of the foregoing, Henkel Corporation specifically disclaims all warranties expressed or implied, including warranties of merchantability or fitness for a particular purpose, arising from sale or use of Henkel Corporation's products. Henkel Corporation specifically disclaims any liability for consequential or incidental damages of any kind, including lost profits. The discussion herein of various processes or compositions is not to be interpreted as representation that they are free from domination of patents owned by others or as a license under any Henkel Corporation patents that may cover such processes or compositions. We recommend that each prospective user test his proposed application before repetitive use, using this data as a guide. This product may be covered by one or more United States or foreign patents or patent applications.

**Trademark usage**

Except as otherwise noted, all trademarks in this document are trademarks of Henkel Corporation in the U.S. and elsewhere. ® denotes a trademark registered in the U.S. Patent and Trademark Office.

Document # 8903720, Date: 03/21/2013



Henkel Americas  
1-800-LOCTITE  
www.equipment.loctite.com

Henkel Europe  
+49.89.320800.1800  
www.henkel.com/industrial

Henkel Asia Pacific  
+86.21.2891.8863  
www.henkel.com/industrial