

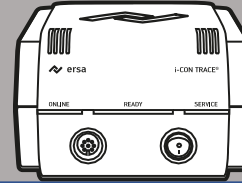
THE MISSING LINK

i-CON TRACE

The world's most connected
soldering station.



i-CON TRACE



Connectivity

- Traceability
- User management
- Process control
- Device management

Usability

- Process reliability
- Web app
- Mobile app
- Quick tip exchange

Performance & Price

- High performance
- Low TCO
- Precise and quick

CONNECTIVITY

THE MISSING LINK

i-CON TRACE

The world's most connected
soldering station.

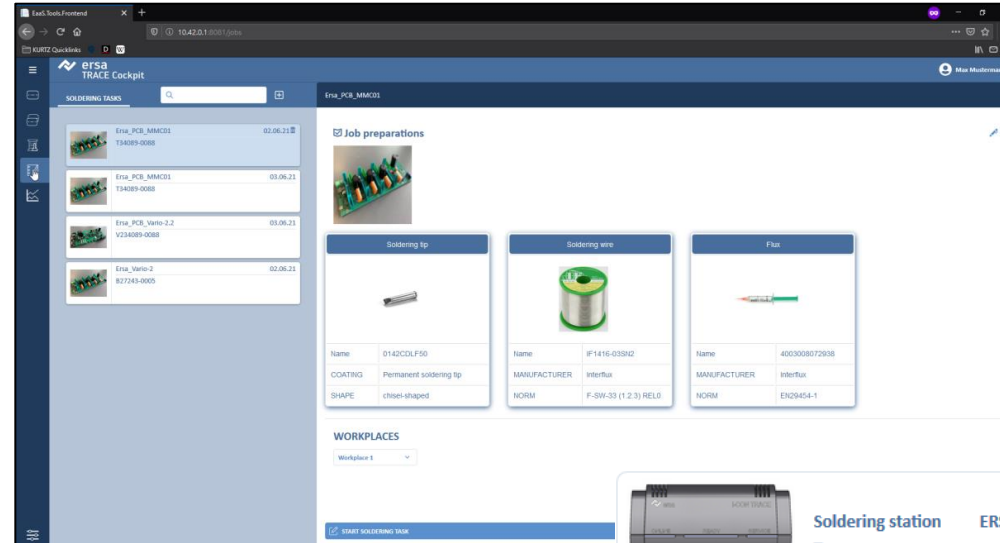


CONNECTIVITY – TRACEABILITY

THE MISSING LINK

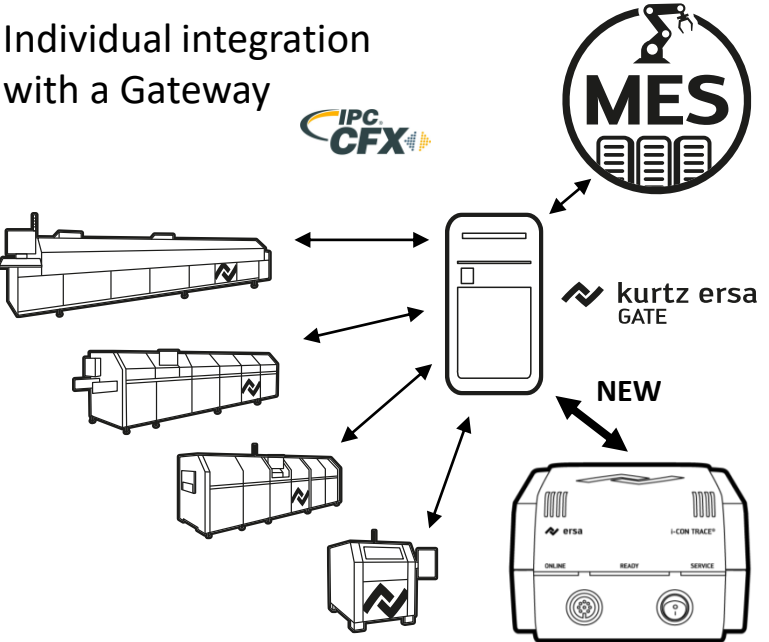
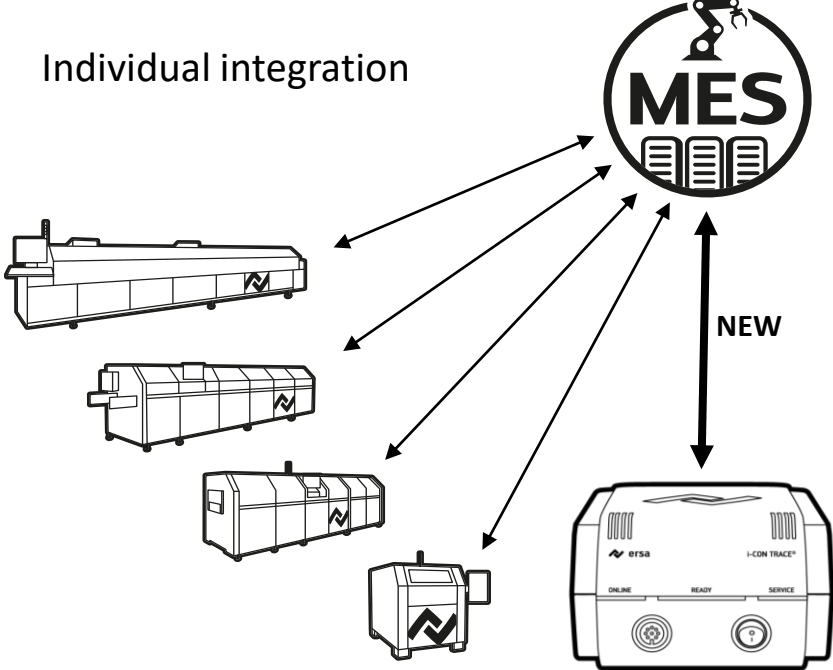
Documentation of:

- Component
- Workpiece
- Soldering tip
- Recourses
- Temperature



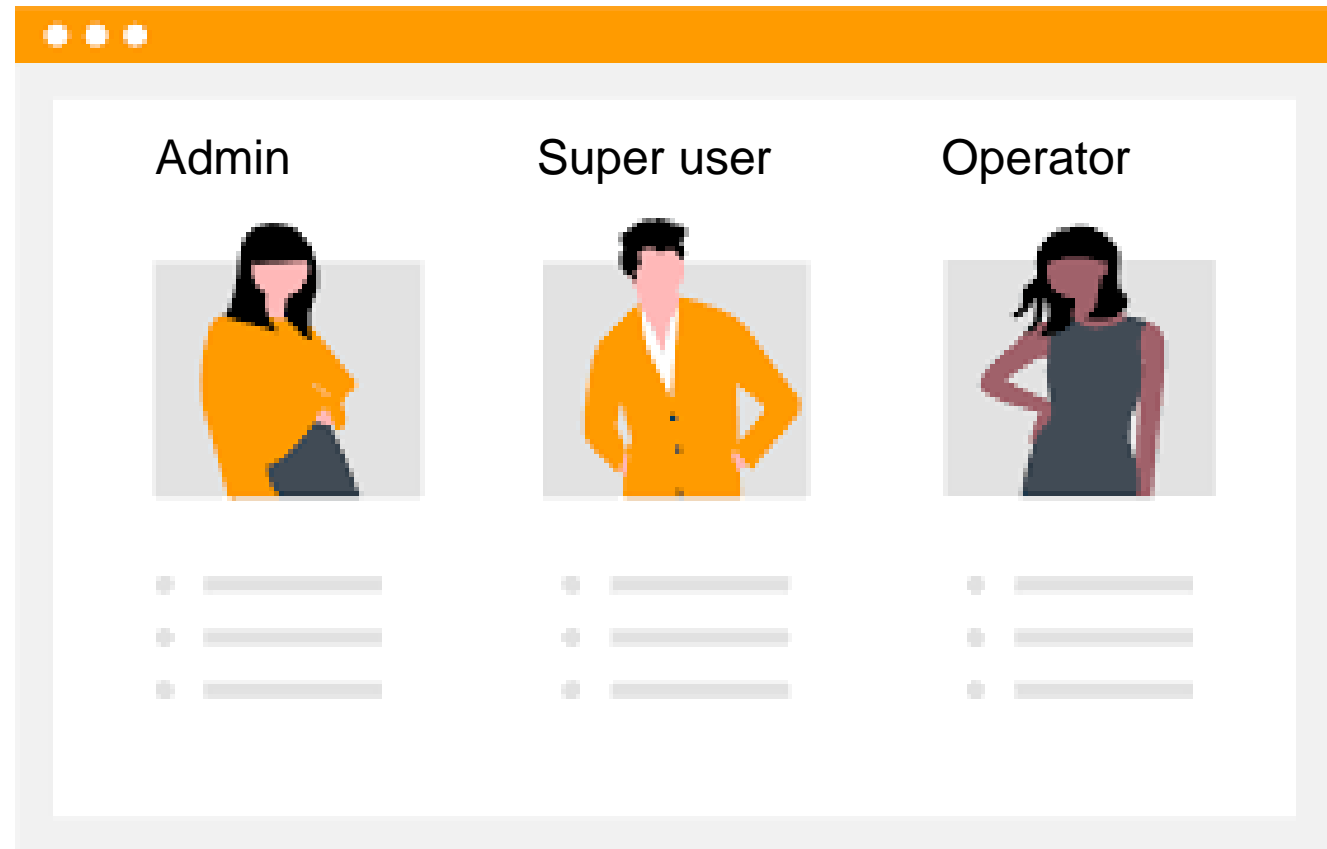
CONNECTIVITY – MES CONNECTION

THE MISSING LINK



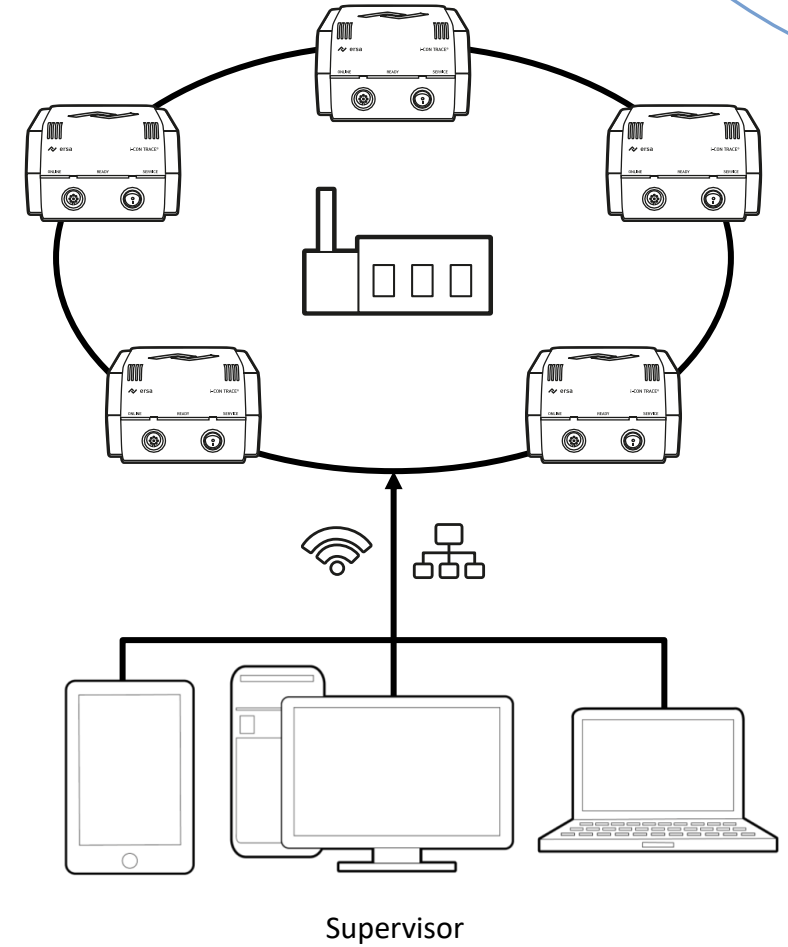
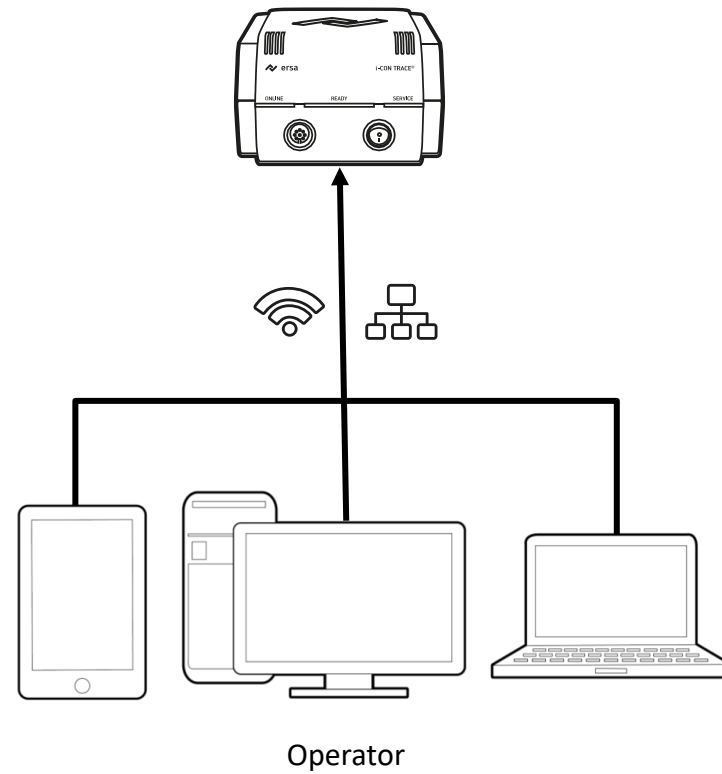
CONNECTIVITY – USER MANAGEMENT

THE
MISSING
LINK



CONNECTIVITY – PROCESS CONTROL

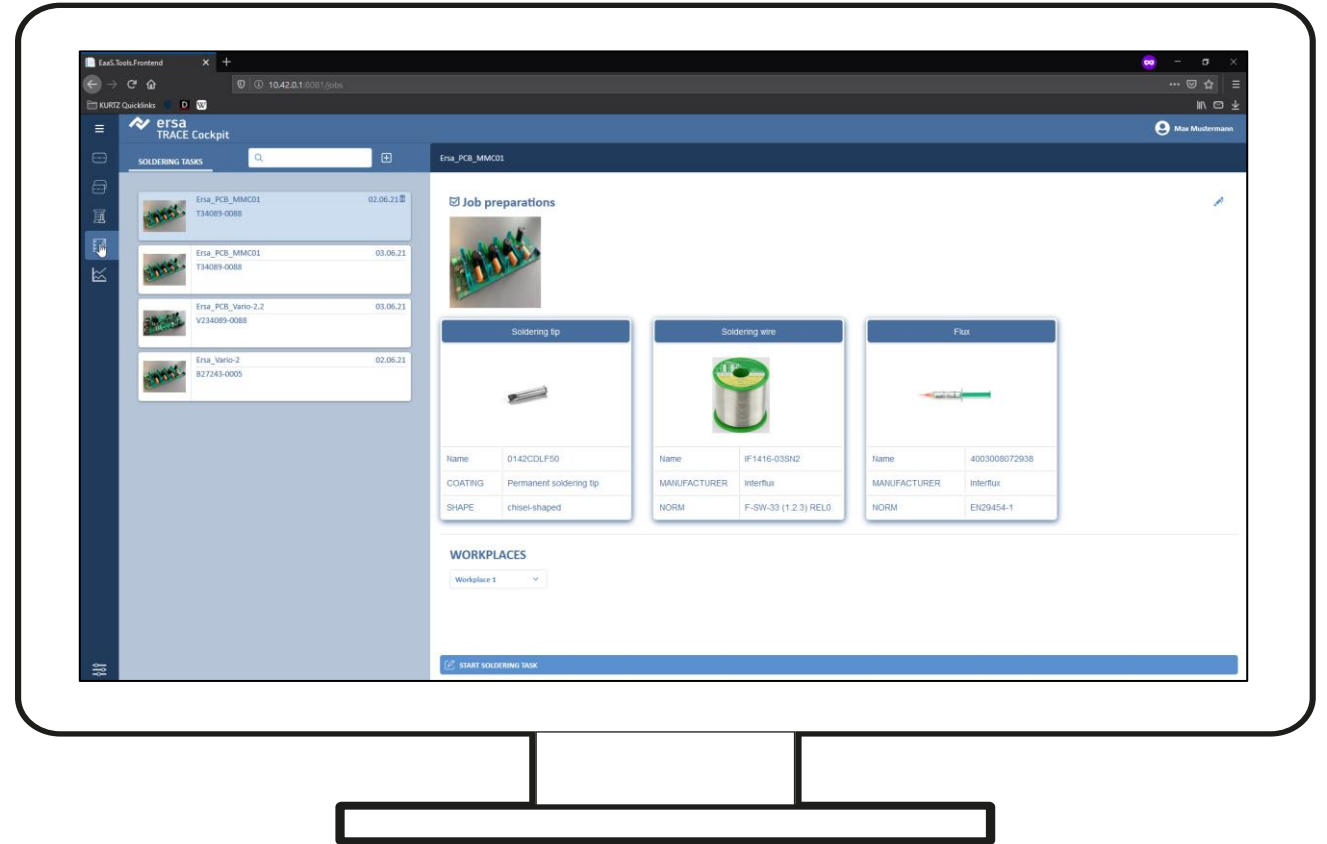
THE
MISSING
LINK



CONNECTIVITY – PROCESS SAFETY

THE MISSING LINK

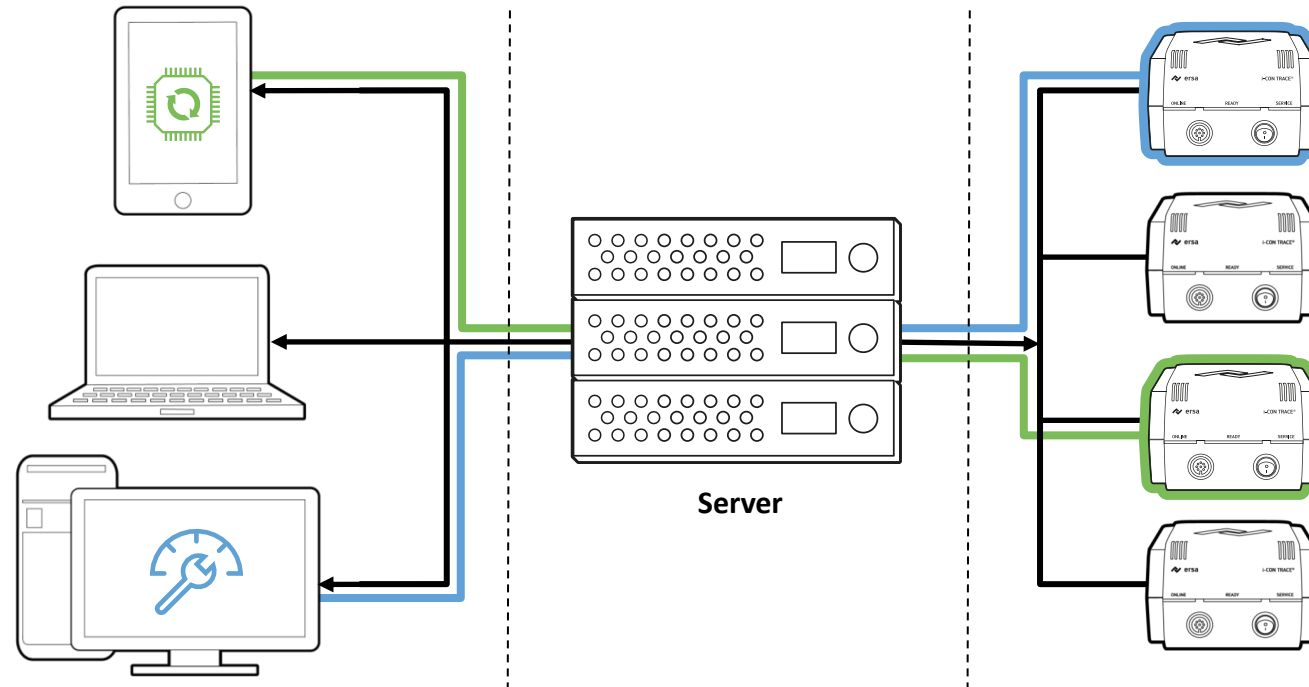
- Presetting of essential parameters
- Full concentration on soldering
- Error reduction



CONNECTIVITY – DEVICE MANAGEMENT

THE MISSING LINK

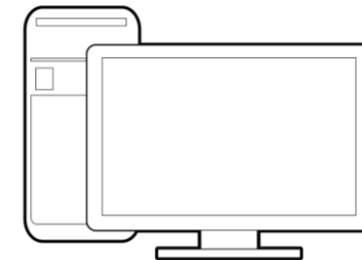
- Smart device management
- Firmware updates
- Calibration



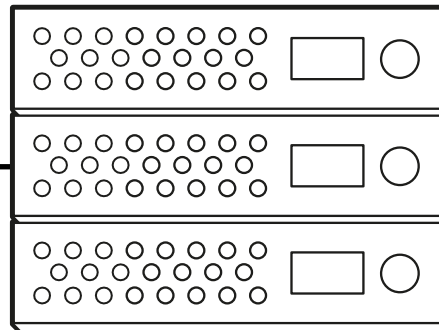
INFRASTRUCTURE PC SERVER BASED



Web-Application (Browser)



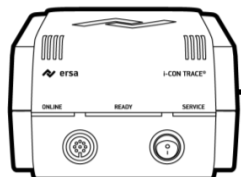
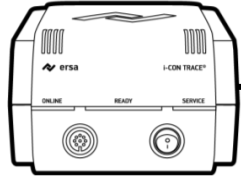
Server



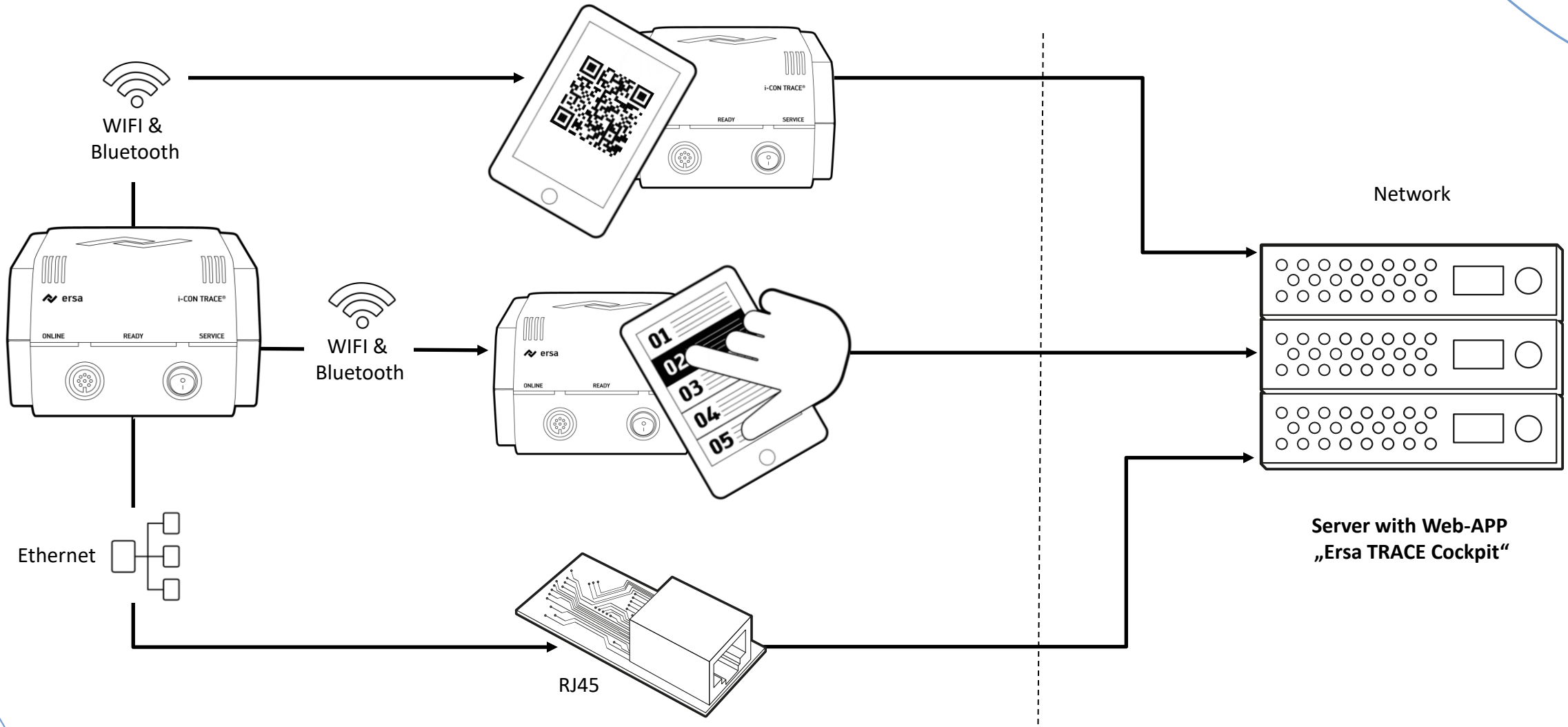
MQTT - Protokoll

HTTP - Protokoll

i-CON TRACE



3 SIMPLE WAYS TO YOUR NETWORK INTEGRATION



USABILITY



GREEN MEANS GO!

i-CON TRACE

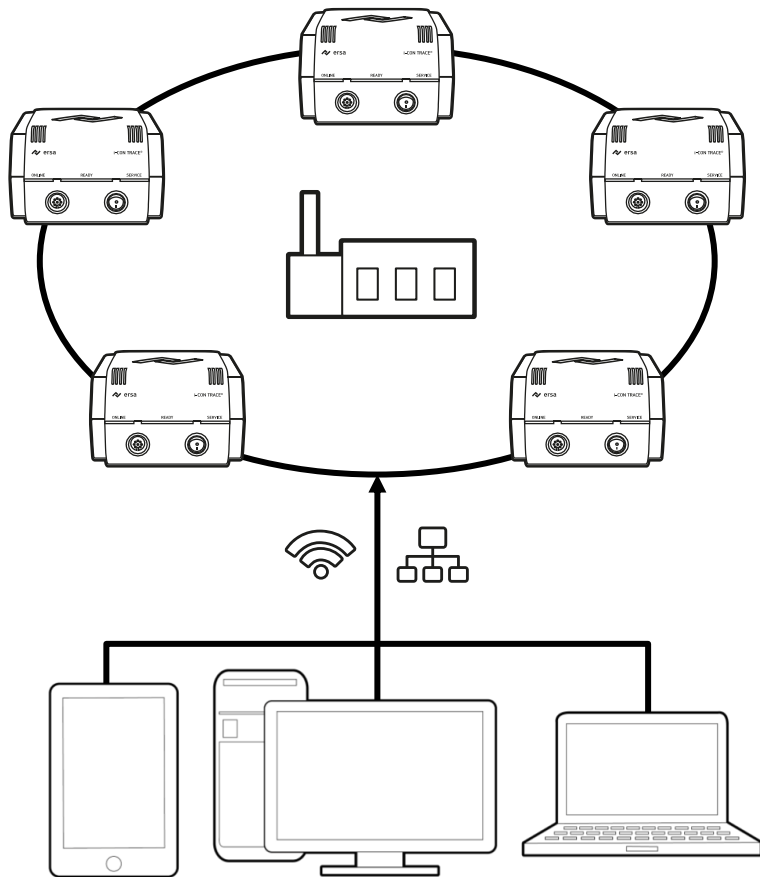
Incredibly powerful and
amazingly simple.



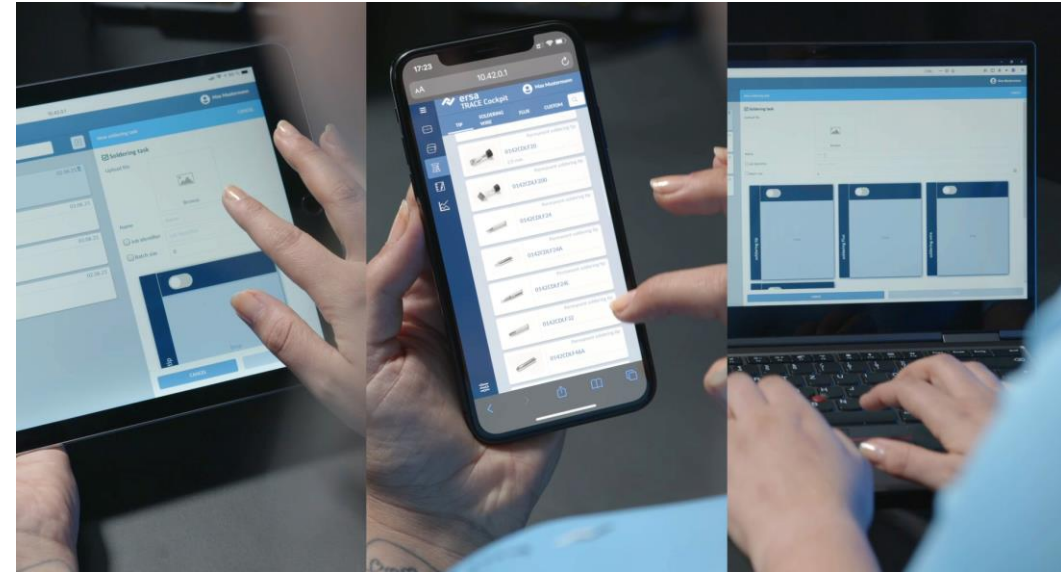
USABILITY PROCESS RELIABILITY AND -SPEED

“Green means go. Red means stop.”

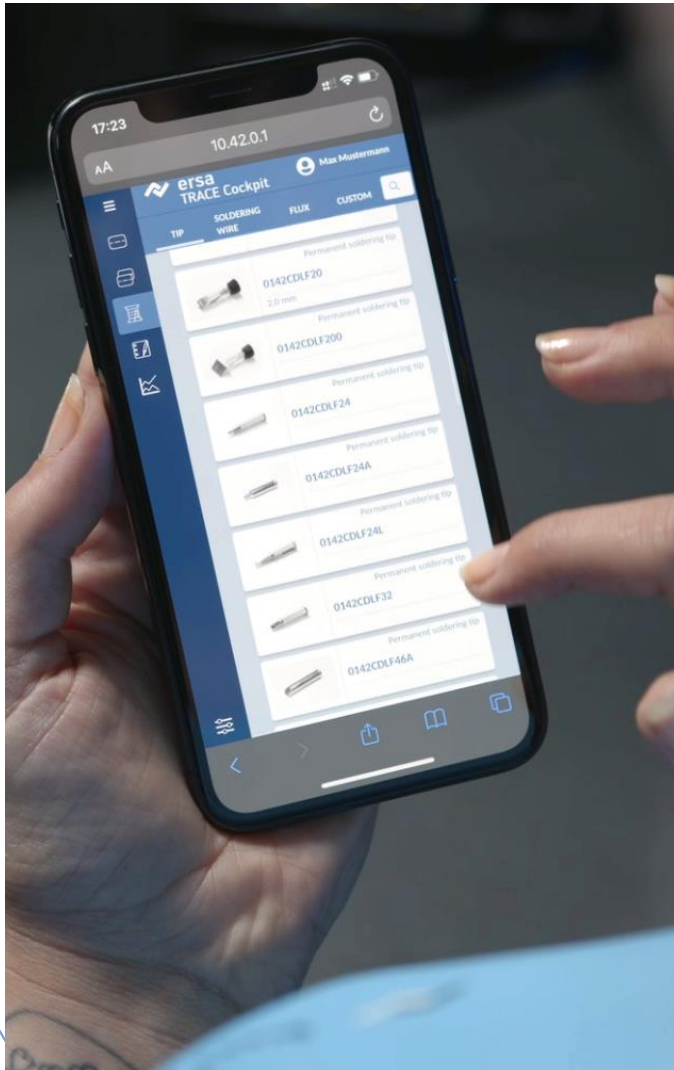
- All essential parameters are preset
- Full concentration on soldering
- Malfunctions via LED code
- Soldering without WLAN connection



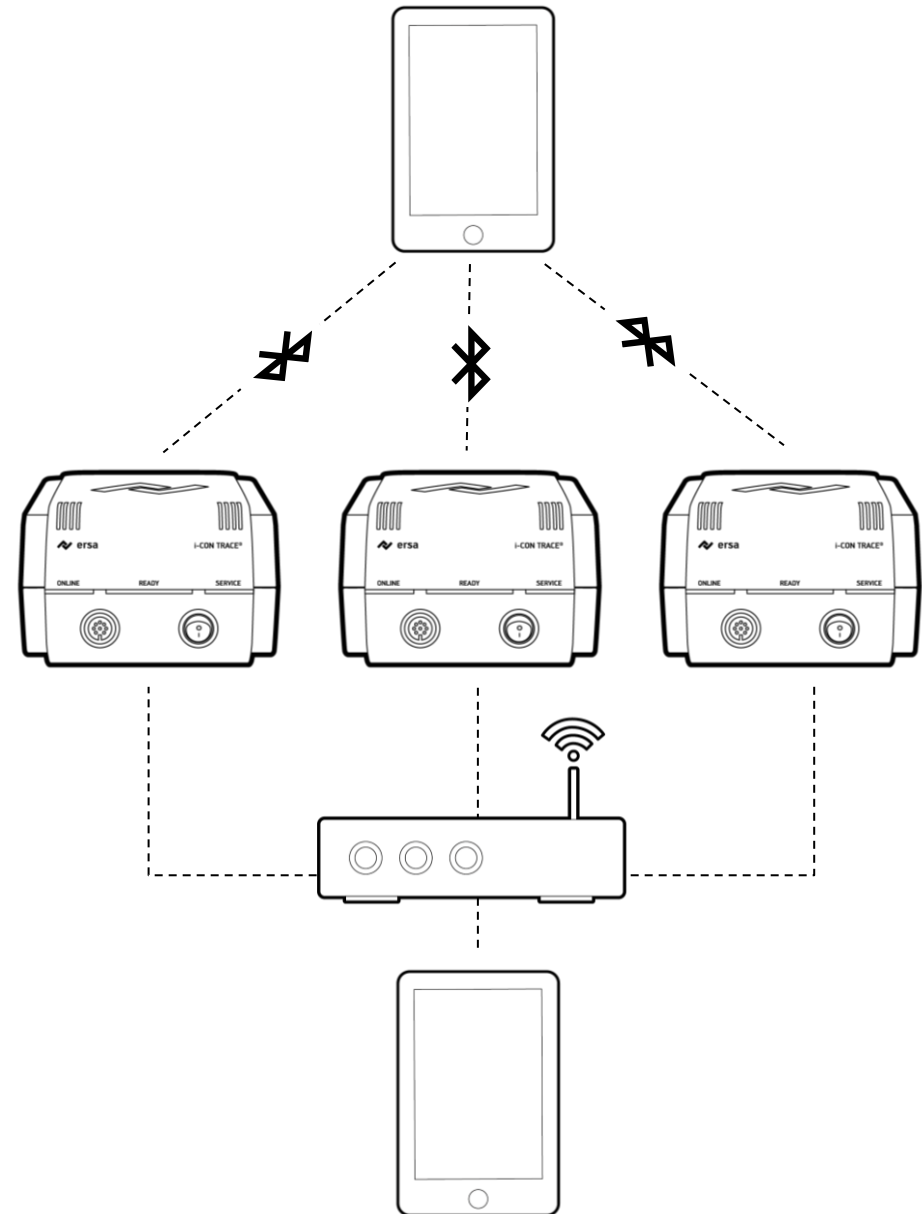
USABILITY WEB APP AND MOBILE APP



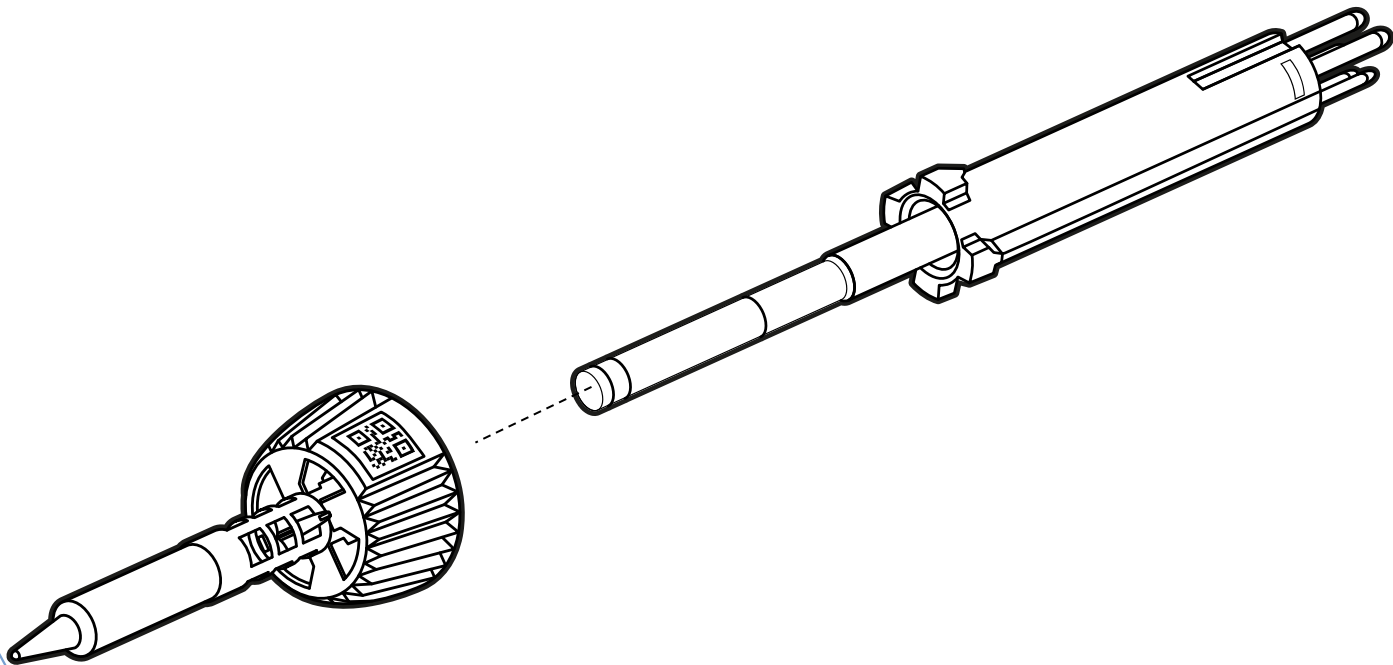
MOBILE DEVICE APP



- **Communication**
 - Bluetooth & WIFI
- **Availability**
 - March 22
- **Hardware**
 - iOS
 - Android



USABILITY QUICK TIP EXCHANGE





PREMIUM PERFORMANCE.

MINIMUM COST.

i-CON TRACE


More than you imagine.
For less than you expect.

PRICE & PERFORMANCE

INCREDIBLY POWERFUL. AND AMAZINGLY SIMPLE.



■ **WIFI or optional LAN connection**

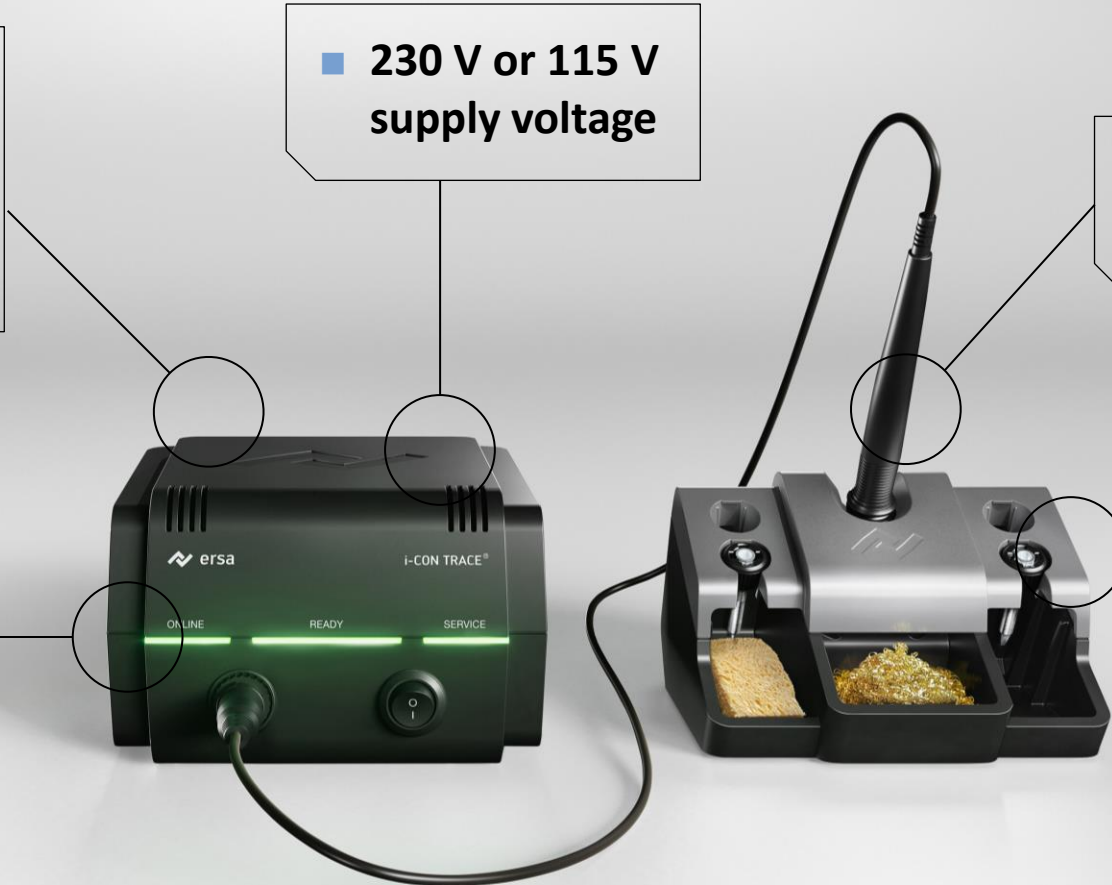


■ **230 V or 115 V supply voltage**

■ **150 W i-TOOL TRACE soldering iron**

■ **3 status LEDs:**

- Ready
- Online
- Service



■ **Multi-functional tool holder**

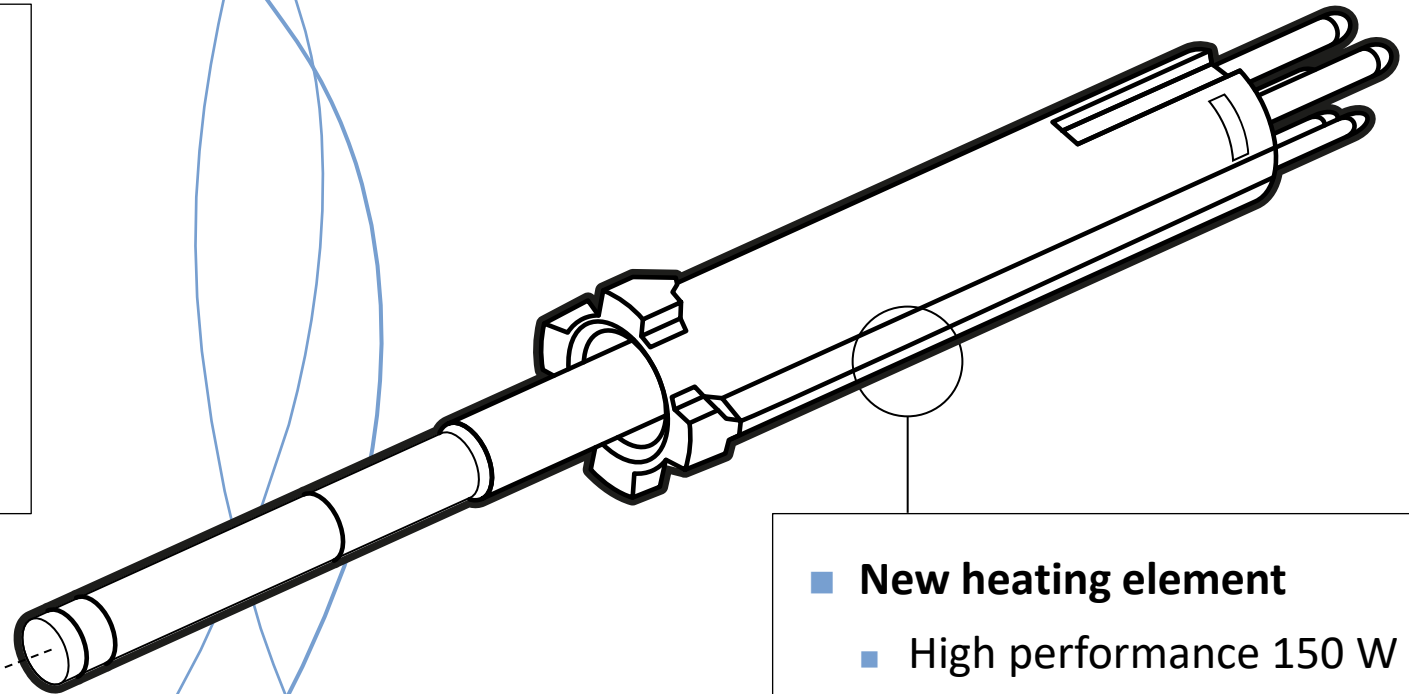
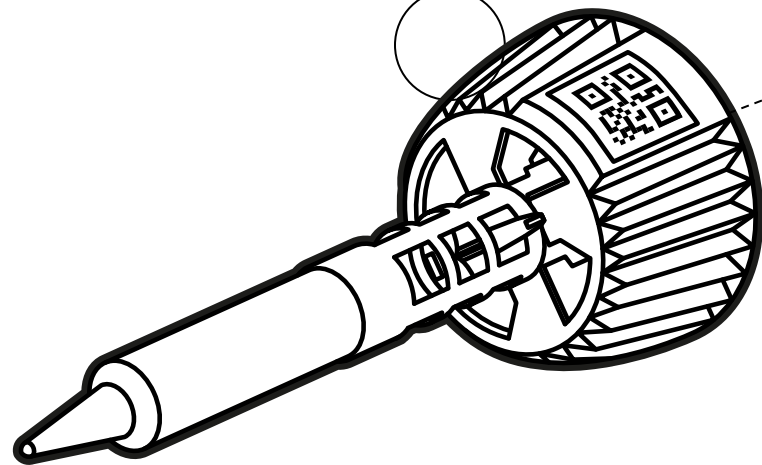
- Wet / dry cleaning
- Quick tip change
- Tip storage

ERSA I-CON TRACE FEATURES

■ New soldering tip series:

- Thermally optimized tip design
- Quick tip fixture
- QR code on each tip

 tip'n'turn release



■ New heating element

- High performance 150 W
- Fast heat-up & precise temp. control (+/- 2 °C)
- Quick tip fixture