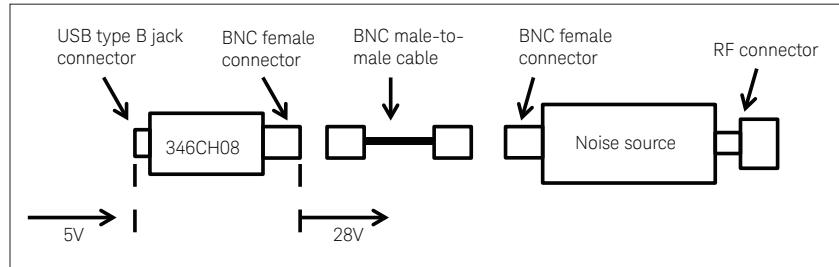


346CH08 USB to BNC Adapter - Data Sheet

Description

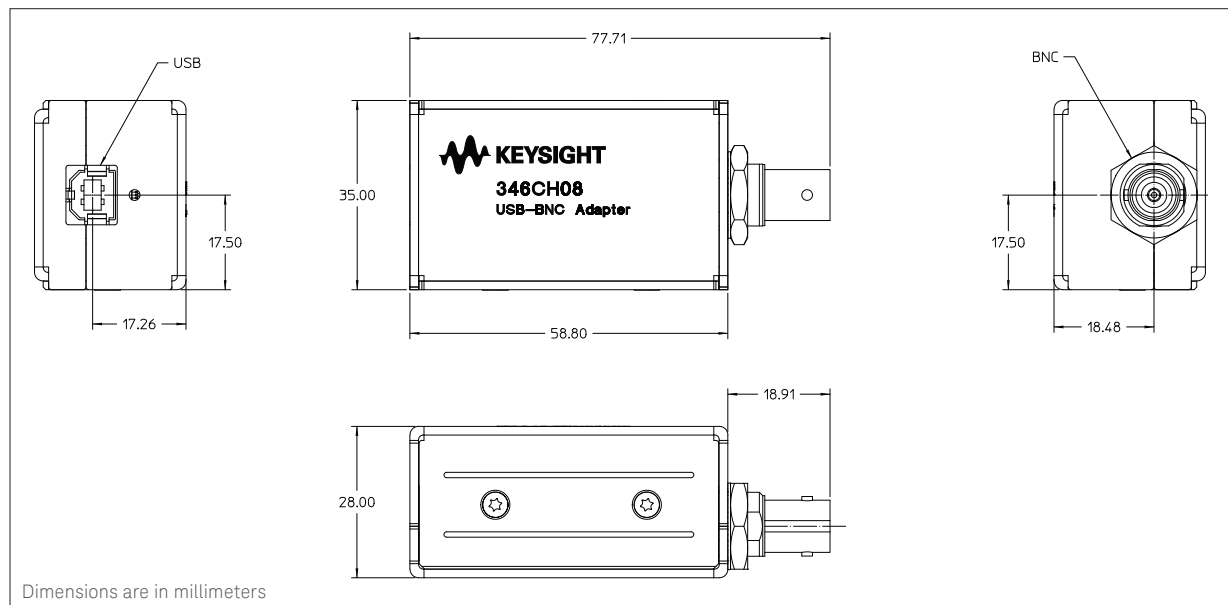
The Keysight Technologies Inc., 346CH08 is a USB to BNC adapter. It converts the 5V USB port to a 28V port to power up the Keysight 346-series noise sources.



Product Specification

Output Voltage: 28V +/-1V for 0 to 55°C
 Max loading current: 60 mA for 0 to 55°C

Product dimension:



Dimensions are in millimeters

Noise source models supported:

346A 10 MHz to 18 GHz, nominal ENR 6 dB
 346B 10 MHz to 18 GHz, nominal ENR 15 dB
 346C 10 MHz to 26.5 GHz, nominal ENR 15 dB

myKeysight
www.keysight.com/find/mykeysight
 A personalized view into the information most relevant to you.

Keysight Infoline
www.keysight.com/find/service
 Keysight's insight to best in class information management. Free access to your Keysight equipment company reports and e-library.

www.keysight.com/find/mta