

# DAQ970A / DAQ973A

## Data Acquisition System

Sample more signals, faster and dynamically

### Introduction

The DAQ970A / DAQ973A features 6½ digits (22 bits) of resolution, 0.003% basic dcV accuracy, and ultra-low reading noise. Combine that with scan rates of up to 450 channels/sec, and you've got the speed and accuracy you need to get the job done right the first time.



# Table of Contents

Key Features .....	3
Front Panel at a Glance .....	5
Rear Panel at a Glance .....	6
The Keysight DAQ970A / DAQ973A offers Unequaled Versatility for Your Data Acquisition Applications ..	7
Customize your Keysight DAQ970A/DAQ973A with Plug-In Modules .....	12
Keysight DAQ970A/DAQ973A .....	13
Modules-At-a-Glance Selection Guide.....	13
Simplify Your Data Gathering and Analysis with Keysight BenchVue DAQ Software.....	14
DAQ970A / DAQ973A Accuracy Specifications $\pm$ (% of reading + % of range) .....	18
DC Current and Other DC Functions .....	19
Specifications: AC voltage .....	19
Characteristics: Capacitance (Typical) .....	20
Specifications: Frequency .....	20
Characteristics: Temperature (Typical).....	21
Single Channel Reading Rates to I/O or Internal Memory (Nominal) .....	22
Scanning Measurement Rates to I/O or Internal Memory (Nominal).....	22
Data out of Memory (FETch of 50K reading) (Nominal) .....	23
Noise performance for DC voltage, DC current, and resistance (Measured) .....	23
DC and AC Current Burden Voltage at Full Scale (Measured).....	23
Measurement Characteristics .....	24
General Characteristics.....	26
Switch Modules Characteristics .....	27
Multiplexer Selection .....	29
DAQM907A Multifunction Module Characteristics .....	36
Rack Mounting .....	44
Ordering Information .....	45

## Key Features

- 3-slot mainframes with built-in 6 ½ digit DMM
- Basic 0.003% DCV accuracy
- 10 switch, RF and control plug-in modules, including a new 4-channel simultaneous sampling digitizer
- Up to 450 channel/s scan rate
- Up to 120 channels per system
- Up to one million points scanning memory
- Large 4.3" color display for ease of setup and viewing data
- LAN and USB for easy connectivity to your PC (DAQ973A comes with additional GPIB)
- Measures and converts 14 different input signals: Temperature with thermocouple, RTDs and thermistor; dc/ac volts; 2- and 4-wire resistance; frequency and period; dc/ac current and capacitance; direct strain and bridge strain
- (DAQ973A comes with additional GPIB)
- Code compatible with the 34970A/34972A
- USB flash drive support to copy/log data in standalone applications
- BenchVue DAQ with enhanced time/frequency domain measurement

## Measurements you can trust

We took the measurement engine from our high-performance benchtop DMM and embedded it inside a 3-slot mainframe. This low-cost, compact data acquisition package offers proven Keysight measurement performance, universal inputs with built-in signal conditioning, and modular flexibility.

## Built-in signal conditioning to get your job done faster

Whether you need to measure temperature, AC/DC volts, resistance, frequency, or current, the DAQ970A / DAQ973A can handle it. The internal auto-ranging DMM directly measures 12 different functions, eliminating the need for expensive external signal conditioning. Our unique design allows complete per-channel reconfigurability for maximum flexibility and quick, easy set-up. It's like having an independent, high-performance DMM behind each channel.

## Large 4.3" color display for ease of setup, configuration, and viewing of data

The DAQ970A / DAQ973A 4.3" graphical color display and soft keys are designed intuitively for easy configuration and measurement displays in multiple formats. You can view the measurements in numeric digits, bar graphs, trend charts, and histograms, giving you a quick overview of your measurement.

## Standard connectivity to the PC

The DAQ970A has built-in Gigabit LAN and USB 2.0. With the standard LAN connection, you also get the added benefit of a graphical Web interface for easy measurement configuration and monitoring of results using a standard Web browser. In addition to LAN and USB, the DAQ973A has a built-in GPIB interface.

## Convenient data storage with USB flash drive

The DAQ970A / DAQ973A also features a built-in USB memory port, so you can collect data without being connected to a PC. Data can be logged directly to the USB flash drive, extending your instrument's memory, or copied from internal memory for transfer to a computer in another location.

## Virtual front panel control via Web interface

The built-in graphical web interface provides easy access and control of the instrument using a web browser like Chrome or Edge. Using this interface, you can configure measurements, define and execute scan lists, or monitor measurement results anywhere on the network. Enter the instrument hostname or IP address into the browser URL and gain access to the instrument's front panel capabilities.

- Specify per channel measurement configuration
- Define and execute switch scans
- Monitor measurement readings
- View and save data
- View error queue
- View instrument information like module configuration, relay counts, firmware revisions, and more

Additionally, since the Web interface is built into the instrument, you can access it on any operating system that supports a Web browser without installing special software. Password protection and LAN lock-out are also provided to limit access. The graphical Web interface makes it easy to configure measurements, set up and execute scans, or troubleshoot your designs from anywhere on the network.

## Custom configurations that grow with you

Three module slots and nine switch/control modules allow you to customize the DAQ970A / DAQ973A to meet your unique requirements. Buy only what you need—and add more modules later as your application grows.

# Front Panel at a Glance



Label	Description
1	USB port
2	On/Standby switch with LED indicator
3	Display
4	Softkeys
5	Measurement operation menu (to control the initiation of the measurements)
6	Measurement configuration menu (to set parameter for measurements)
7	Knob
8	Cursor navigation keypad

# Rear Panel at a Glance



Label	Description
1	Slot identifier (100, 200, 300)
2	GPIB interface (DAQ973A only)
3	AC mains input
4	LAN interface
5	External trigger input, alarm outputs, channel advance input, and channel close output
6	USB interface
7	Chassis ground screw

# The Keysight DAQ970A / DAQ973A offers Unequaled Versatility for Your Data Acquisition Applications

In the past, you had to make a choice. On the one hand, you could choose the simple operation and low cost of a data logger. On the other hand, you had the flexibility and higher performance of a modular data acquisition system. The Keysight DAQ970A / DAQ973A Data Acquisition System gives you the best of both worlds: a simple user interface with low per-channel cost, modular flexibility, standard connectivity, and impressive measurement performance. Whether you're an R&D engineer working on characterizing your latest design, a manufacturing engineer building a test system, or troubleshooting a process, the DAQ970A / DAQ973A Data Acquisition System offers the best combination of price and measurement performance.

## It's a data logger

Configured with a 20-channel relay multiplexer, the DAQ970A / DAQ973A becomes a powerful, low-cost data logger for simple characterization applications. What's more, the DAQ970A / DAQ973A, with its LAN, USB, or GPIB interfaces, is ideal for easy set-up and control for data logging applications in remote locations.

## It's a data acquisition front-end

The DAQ970A / DAQ973A is an automated test system with excellent measurement performance—it has the accuracy, resolution, and speed you need.

## An easy-to-use data logger for monitoring and characterization applications

Data loggers are used to monitor multiple signals (temperature, voltage, etc.) over extended periods to identify irregularities. Example applications include environmental chamber monitoring, component inspection, benchtop testing, process troubleshooting, and temperature profiling. The Keysight DAQ970A / DAQ973A is easy to use for a multitude of data logging and monitoring applications, either stand-alone or with a computer. Its flexible, modular design makes it scalable from 4 to 120 channels and lets you add actuator, digital I/O, and analog output channels for simple control. Its small size, rugged features, and USB memory port on the DAQ970A / DAQ973A make it perfect for portable applications. Use USB, LAN, or GPIB interfaces for simple connection to the PC and support of remote applications. The DAQ970A / DAQ973A can be set up at remote locations and accessed through the Web interface on a network connection or through the USB port by copying instrument configurations and measurement data results to a USB flash drive.

## Better measurement with fewer hassles

Tired of putting up with the mediocre measurement performance you get with most data loggers or plug-in data acquisition boards?

The DAQ970A / DAQ973A offers 6½ digits of resolution and 0.003% basic 1-year dcV accuracy.

- Temperature with thermocouples, RTDs, and thermistors
- dc and ac volts
- 2- and 4-wire resistance
- Frequency and period
- Capacitance and diode
- Strain

What's more, each channel is independently configurable. This means you can configure channel 1 for dcV, channel 2 for a K-type thermocouple, and channels 3 and 13 for a 4-wire RTD measurement, all on the same module, all in a single scan. For custom linear conversions, use the Mx+B scaling function on any channel. You can even display a custom engineering label like RPM or PSI to identify your measurement units.

## Versatile alarms

Alarms are also available on a per-channel basis. Enter a high limit, a low limit, or both. The DAQ970A / DAQ973A compares each reading to its limits and flags any out-of-range measurements. You can assign one of four TTL alarm outputs to any input channel to trigger external alarm lights or sirens or send a TTL pulse to your control system, all without a PC connected.

## Scanning made simple

The DAQ970A / DAQ973A automatically builds a scan list that includes all configured inputs (even digital inputs from the Keysight multifunction module) in ascending order by channel number. You can pace scans by setting the DAQ970A / DAQ973A internal timer for automatic scanning at a specific interval, manually pressing a front-panel button, or sending a software command or external TTL trigger pulse.

## Monitor any input

A special display mode monitors a selected input channel, continuously updating the display with new readings—even during a scan. Alternatively, when using the DAQ970A / DAQ973A with built-in LAN, the channels can be monitored over the network using the graphical Web interface. This is great for keeping an eye on a key input or troubleshooting your system before a test.



## Non-volatile memory and USB flash drive add convenience and portability

All readings are automatically time-stamped and stored in a nonvolatile 1 million reading memory - enough memory to hold more than a week's worth of data (20 channels scanned every five minutes). The nonvolatile memory holds your data even after power is removed, so you can use the DAQ970A / DAQ973A to collect data at a remote location for later uploading to a PC. Or if you need even more memory, the DAQ970A / DAQ973A USB port can be used to log data directly to a USB flash drive or to copy the data from the reading memory without being connected to a computer.

## A powerful, flexible data acquisition system for automated test

The DAQ970A / DAQ973A gives you the resolution, accuracy, repeatability, and speed you've come to expect from a Keysight data acquisition system. It provides the measurement muscle you need, signal routing, and control capability in a flexible, modular format that can grow and change to match your varied applications.

## Powerful measurements

The internal 6½ digit DMM brings the power and performance of a world-class stand-alone DMM to the DAQ970A / DAQ973A, but at a fraction of the cost and in a fraction of the space. It's as accurate as the best bench DMM available: 0.003% basic 1-year dcV accuracy, 0.05% basic 1-year acV accuracy, and 0.004% basic 1-year resistance accuracy. Our patented A-D technology offers incredible linearity (2 ppm of reading +1 ppm of range) and 22 bits of real resolution. Since it is an integrated A/D, it also provides excellent noise rejection - a nice change from noisy and sampling A/Ds. No more averaging lots of samples to see the real data you wanted. If you need high scan rates, the DAQ970A / DAQ973A can deliver fully converted measurements at speeds up to 450 ch/s. The input section of the DMM is optically isolated and shielded from the DAQ970A / DAQ973A earth-referenced circuitry and computer interface, offering up to 300 V of input isolation. This is important for reducing ground loop and common mode voltage errors associated with long wiring runs and floating measurement sources.

## Flexible functionality

The DMM is installed inside the chassis rather than in one of the slots, leaving all three mainframe slots free for switch and control modules. You can choose from eight modules to get the precise functionality you need now—while giving you flexibility for future expansion.

The internal DMM allows you to measure 14 types of inputs easily and inexpensively. The built-in signal conditioning and conversion routines turn raw inputs directly into real information. Each measurement channel is independently configurable, so you can set different measurement functions, scale factors, and

alarm limits, even on adjacent channels. Advanced measurement features such as offset compensation, variable integration time, and delay are also selectable on a per-channel basis.

## Software drivers

Your months of test system software development time need not go to waste. Software drivers that support (C, C#, Visual Basic, Visual Studio), LAN, USB, and GPIB on the DAQ970A / DAQ973A and SCPI programming language make integration even easier.

## The functionality you need

We put much thought into defining and designing the modules for the DAQ970A / DAQ973A to cover a broad spectrum of switching and signal routing requirements with fewer modules. The result? Simplified ordering and easier configuration. And while we were at it, we improved performance and density. The DAQ970A / DAQ973A modules can switch from microvolts to 300 volts, DC to 2 GHz, and with densities as high as 120 single-ended channels or 96 matrix cross-points per frame. Plus, simple control capabilities like analog outputs, open collector digital outputs, and isolated Form-C relays for controlling higher-powered devices are available.

## Easy scanning

The DAQ970A / DAQ973A can easily scan with external instruments. It builds a scan list that includes all enabled low-frequency multiplexer inputs. Scans are controlled with the external channel advance input or the front panel Step key.

## Connect to the company network

With the LAN interface, the instrument is easily connected to the company network to collect measurement data for a central database, remotely access the instrument's setup, or monitor measurement data from anywhere on the network.

## Keysight quality

We know you can't afford instrument downtime due to hardware failures and unscheduled maintenance. That's why our engineers designed reliability into the DAQ970A / DAQ973A: A rugged enclosure, state-of-the-art surface mount construction throughout, reduced parts counts, and rigorous and thorough testing on all aspects of the product.

## Take the guesswork out of relay maintenance

The DAQ970A / DAQ973A uses our proprietary relay maintenance system to help you predict relay end-of-life and avoid costly production line downtime. It automatically counts every switch closure and stores it in nonvolatile memory on each module. You can query the total number of cycles on any individual channel to schedule maintenance and avoid erratic end-of-life failures.



# Customize your Keysight DAQ970A/DAQ973A with Plug-In Modules

A complete selection of plug-in modules gives you high-quality measurement, switching, and control capabilities to choose from. Modules include both low-frequency and RF multiplexers, a matrix switch, a general-purpose switch, a multifunction module, and a digitizer module that includes digital input/output, analog output, and totalizer capabilities. You can mix and match modules to get just the functionality you need right now—then change or add more channels later as your application grows. The DAQ970A / DAQ973A modules are designed to make your testing easier, faster, and more reliable. Here's how:

## Higher throughput

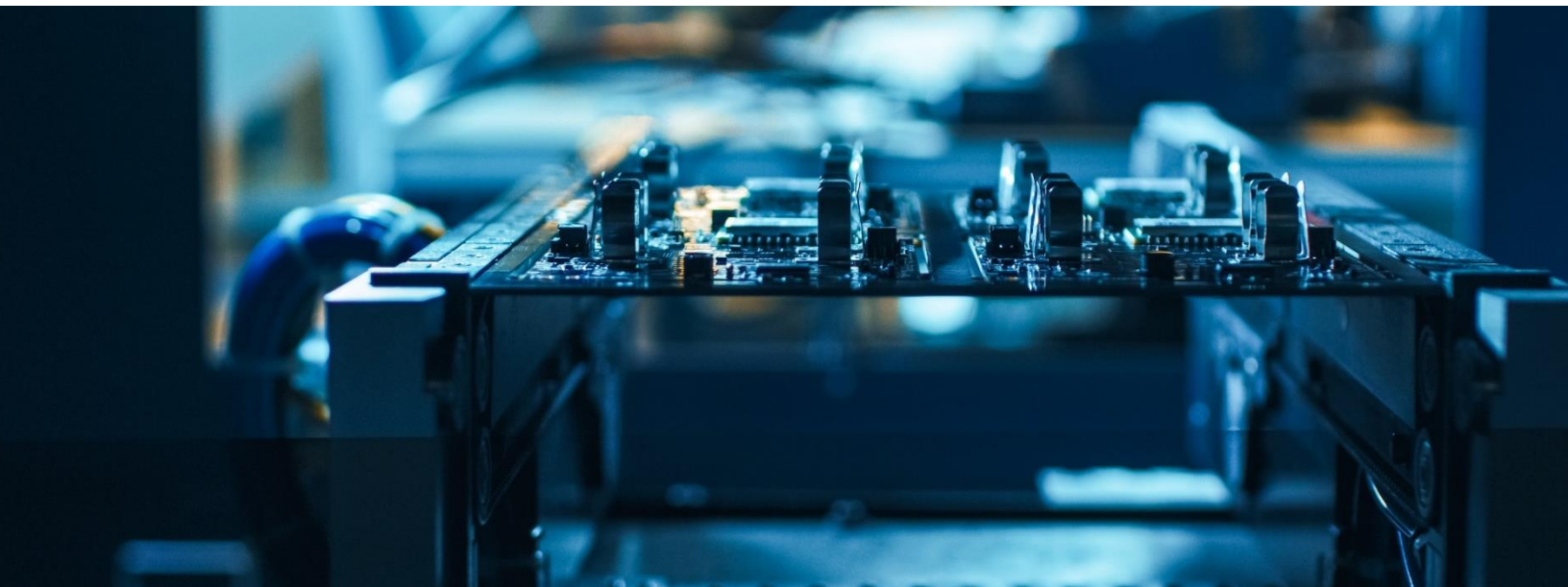
Our unique architecture incorporates a high-performance microprocessor on each module, offloading the mainframe processor and minimizing backplane communications for faster throughput.

## More channels in less space

Surface-mount construction and a highly integrated design minimize the space required for relay drive and interface circuitry. High-density on-module connectors save both board and connector space normally required by a terminal block. We use the latest technology to squeeze the most out of the remaining board space, giving you up to 40 single-ended channels in roughly the same space used by many data acquisition system terminal blocks.

## Convenient connections

On-module screw-terminal connectors make wiring more convenient. Built-in strain relief cable routing and cable tie points keep your wiring secure and safe from accidental tugs and pulls. An internal analog bus route signals from any of the low-frequency multiplexers directly to the internal DMM without the need for external connections.



# Keysight DAQ970A/DAQ973A

## Modules-At-a-Glance Selection Guide

Model description	Type	Speed (ch/sec)	Max volts	Max amps	Bandwidth	Thermal offset	Comments
DAQM900A 20 ch Multiplexer	2-wire solid state (4-wire selectable)	450	120 V	20 mA	10 MHz	< 4 $\mu$ V	Built-in cold junction reference
DAQM901A 20 ch Multiplexer + 2 current channels	2-wire armature (4-wire selectable)	80	300 V	1 A	10 MHz	0 $\mu$ V	Built-in cold junction reference 2 additional current channels (22 total)
DAQM902A 16 ch Multiplexer	2-wire reed (4-wire selectable)	250	300 V	50 mA	10 MHz	< 4 $\mu$ V	Built-in cold junction reference
DAQM903A 20 ch Actuator/GP Switch	SPDT/form C	120	300 V	1 A	10 MHz	< 1 $\mu$ V	
DAQM904A 4 x 8 Matrix	2-wire armature	120	300 V	1 A	10 MHz	< 1 $\mu$ V	
DAQM905A Dual 4 ch RF Mux 50 $\Omega$	Common low (unterminated)	60	42 V	0.7 A	2 GHz	< 4 $\mu$ V	1 GHz bandwidth through BNC-to-SMB adapter cable
DAQM907A Multifunction Module	Two 8-bit digital I/O ports		42 V	400 mA			Open drain
	26-bit event counter		42 V		100 kHz		Selectable input threshold
	Two 18-bit analog outputs		$\pm$ 12 V	15 mA	dc		Max 40 mA total output per frame
DAQM908A 40 ch Single-Ended Mux	1-wire armature (common low)	100	300 V	1 A	10 MHz		No four-wire measurements
DAQM909A 4 ch Digitizer	Simultaneous sampling	800 kSa/s <sup>1</sup>	36 Vpk				24-bit resolution, differential inputs
DAQM910A 20 ch Low Voltage Multiplexer	2-wire armature (4-wire selectable)	80	40 Vpk	1 A	10 MHz	0 $\mu$ V	Built-in cold junction reference

1. Sampling rate.



# Simplify Your Data Gathering and Analysis with Keysight BenchVue DAQ Software

Do you want PC-based data logging capability but don't want to spend hours programming?

BenchVue DAQ software is the answer. This Windows-based application is designed to make it easy to use your PC for gathering and analyzing measurements. Use it to set up your test, acquire and archive measurement data, and display and analyze incoming measurements in real-time.

A familiar spreadsheet environment makes it easy to configure and control your tests. A rich set of colorful graphics provides many options for analyzing and displaying your data—all with point-and-click ease. Set up multiple graphics using strip charts, histograms, bar and scatter charts, individual channel results, and more. And, of course, you can use BenchVue DAQ to easily move data to other applications for further analysis or for inclusion in your presentations and reports.

When used with the DAQM909A digitizer, you can access these advanced measurement capabilities:

- Frequency domain measurements: FFT, THD, THD+N, SINAD
- Frequency domain chart sample size up to 1M samples
- Time domain oscilloscope-like measurements
- Time domain chart sample size up to 50M samples



## Data logging feature checklist

- From 1 to 120 channels of analog input
- Measurements include DC volts, AC volts, thermocouple, thermistor and RTD temperature measurements, 2- and 4-wire Ohms, DC current, AC current, frequency, and period and capacitance
- 6½ digits (22 bits) of resolution
- 50,000 readings/s reading speed
- 1 million reading nonvolatile memory including time-stamp
- Scaling and alarms available on each channel
- Full-featured front panel for stand-alone configuration, troubleshooting, and data viewing
- Nonvolatile storage for five complete instrument states
- Built-in LAN or USB interfaces to support remote data logging applications
- BenchVue DAQ software for configuration and data analysis

## ATE feature checklist

- 3-slot card-cage with 6½ digit (22 bit) internal DMM 0.003% basic 1-year dcV accuracy; 0.05% acV accuracy
- Up to 120 single-ended measurements or 96 matrix cross-points in a 3½" high, half-rack instrument
- Ten switch and control modules include low-frequency and RF multiplexers, a 4-ch digitizer, matrix, and actuation switches, digital input and output, analog output, and event recording
- Scan rates up to 450 ch/s
- BenchVue software and graphical web interface to speed up test development and monitor tests remotely
- Relay maintenance feature for system maintenance

## Get better measurements with built-in signal conditioning

The Keysight DAQ970A/DAQ973A architecture offers advantages over other data acquisition solutions that rely on external or plug-in signal conditioning modules for handling functions other than dcV:

- Minimizes external wiring and the resultant potential for noise and errors to enter your system
- Reduces hidden costs and overall system costs by avoiding unnecessary cables, breakout boxes, and signal conditioning elements
- Simplifies your configuration - for faster, easier setup - with fewer connections and components
- Takes the guesswork out of error analysis
- Measurement accuracies are specified to include all system-related errors
- Improves reliability, with fewer interconnects and fewer parts that can fail

## Spec interpretation guide

The following pages list the technical specifications for the Keysight DAQ970A/DAQ973A Data Acquisition System and its modules. The explanations and examples below help you understand how to interpret these specifications:

- Measurement accuracy is specified as percent of reading plus percent of range, where reading is the actual measured value and range is the name of the scale (1 V, 10 V, etc.) - not the full-scale value (1.2 V, 12 V, etc.).
- DMM measurement accuracies include all switching errors. Switching errors are also listed separately in the module specifications section. Temperature measurement accuracies include ITS-90 conversion errors. The thermocouple accuracies include the reference junction error as well.
- Accuracies are listed as either 24-hour, 90-day, or 1-year specifications. This refers to the length of time since the instrument's last calibration. Use the specification that matches your calibration cycle. The 24-hour specifications are useful for determining short-term relative performance.

### Example 1: Basic dcV accuracy

Calculate the accuracy of the following measurement: 9 V dc input 10 V dc range 1-year accuracy specifications Normal operating temperature (18 - 28°C).

From the following page, the 1-year accuracy is: 0.003% of reading + 0.0004% of range.

Which translates into:  $(0.003/100 \times 9 \text{ V}) + (0.0004/100 \times 10 \text{ V}) = 310 \text{ } \mu\text{V}$

For a total accuracy of:  $310 \text{ } \mu\text{V}/9 \text{ V} = 0.0034\%$

### Example 2: Extreme operating temperature

When the DAQ970A/DAQ973A is used outside of its 18 - 28°C temperature range, there are additional temperature drift errors to consider. Assume the same conditions in Example 1, but at a 35°C operating temperature.

The basic accuracy is again: 0.003% of reading + 0.0004% of range = 310  $\mu\text{V}$ .

Now, multiply the 10 V temperature coefficient from the DC voltage specifications table by the number of degrees outside of operating range for additional error (non ACAL):

$(0.0005\% \text{ reading} + 0.0001\% \text{ range}) / ^\circ\text{C} \times (35 - 28^\circ\text{C})$

$= (0.0005\% \text{ reading} + 0.0001\% \text{ range}) / ^\circ\text{C} \times 7^\circ\text{C}$

$= 0.0035\% \text{ reading} + 0.0007\% \text{ range} = 385 \text{ } \mu\text{V}$

Total error is then:  $310 \text{ } \mu\text{V} + 385 \text{ } \mu\text{V} = 695 \text{ } \mu\text{V}$  or 0.0077%



## Example 3: Thermocouple measurement accuracy

Calculating the total thermocouple reading error is easy with the DAQ970A/DAQ973A - just add the listed measurement accuracy to the accuracy of your transducer. The measurement specification already includes switching, conversion, and reference junction errors.

For this example, assume a J-type thermocouple input reading of 150°C.

From the temperature characteristics table, the total error is: Thermocouple probe accuracy + 1.0°C

The probe vendor specifies an accuracy of 1.1°C or 0.4%, whichever is greater.

Total error is then: 1.0°C + 1.1°C = 2.1°C total, or 1.4%

## Example 4: acV accuracy

The acV function measures the true RMS value of the input waveform, regardless of waveshape. Listed accuracies assume a sinewave input. To adjust accuracies for non-sinusoids, use the listed crest factor adder.

For this example, assume a  $\pm 1$  V square wave input with a 50% duty cycle and a 1 kHz frequency.

Accuracy for 1 V, 1 kHz sinusoid is 0.05% reading + 0.02% range = 0.7 mV or 0.07%.

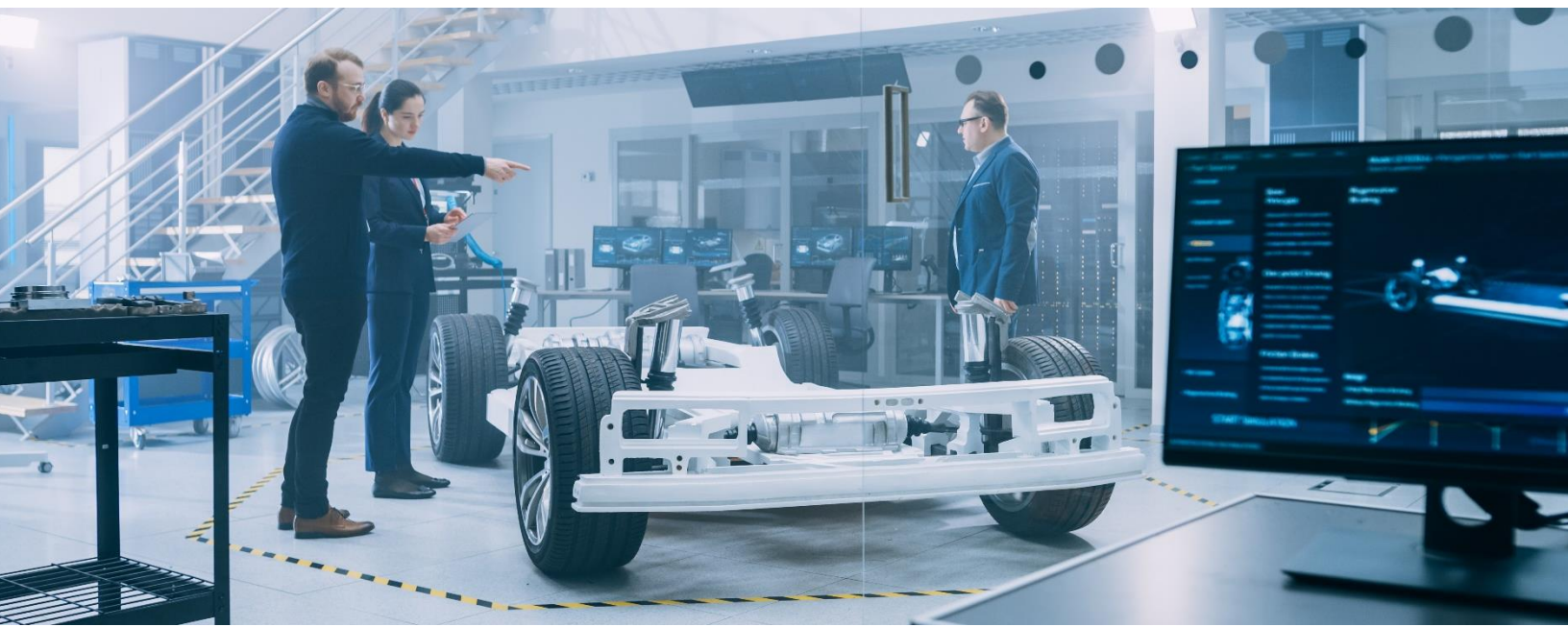


# DAQ970A / DAQ973A Accuracy Specifications ± (% of reading + % of range)

## DC Voltage and Resistance. Automated Calibration (ACAL) capable

Range <sup>3</sup>	Test current	24 Hour <sup>4</sup> Tcal ± 1 °C	90 Days Tcal ± 5 °C	1 Year Tcal ± 5 °C	2 Year Tcal ± 5 °C	Non ACAL Temperature Coefficient/°C <sup>5</sup>	With ACAL Temperature Coefficient/°C <sup>6</sup>
<b>Accuracy ± (% of reading + % of range)<sup>1</sup></b>							
<b>DC voltage<sup>2</sup></b>							
100 mV	-	0.0030 + 0.0050	0.0040 + 0.0060	0.0050 + 0.0060	0.0065 + 0.0060	0.0005 + 0.0005	0.0002 + 0.0005
1 V	-	0.0015 + 0.0006	0.0025 + 0.0006	0.0035 + 0.0006	0.0050 + 0.0006	0.0005 + 0.0001	0.0002 + 0.0001
10 V	-	0.0010 + 0.0003	0.0021 + 0.0004	0.0030 + 0.0004	0.0045 + 0.0004	0.0005 + 0.0001	0.0002 + 0.0001
100 V	-	0.0020 + 0.0006	0.0035 + 0.0006	0.0040 + 0.0006	0.0055 + 0.0006	0.0005 + 0.0001	0.0002 + 0.0001
300V	-	0.0020 + 0.0020	0.0035 + 0.0020	0.0040 + 0.0020	0.0055 + 0.0020	0.0005 + 0.0001	0.0002 + 0.0001
<b>Resistance<sup>2, 7</sup></b>							
100 Ω	1 mA	0.0030 + 0.0050	0.0050 + 0.0060	0.0060 + 0.0060	0.0070 + 0.0060	0.0006 + 0.0005	0.0002 + 0.0005
1 kΩ	1 mA	0.0020 + 0.0007	0.0030 + 0.0007	0.0040 + 0.0007	0.0050 + 0.0007	0.0006 + 0.0001	0.0002 + 0.0001
10 kΩ	100 uA	0.0020 + 0.0005	0.0030 + 0.0005	0.0040 + 0.0005	0.0050 + 0.0005	0.0006 + 0.0001	0.0002 + 0.0001
100 kΩ	10 uA	0.0020 + 0.0005	0.0030 + 0.0005	0.0040 + 0.0005	0.0050 + 0.0005	0.0006 + 0.0001	0.0002 + 0.0001
1 MΩ	5 uA	0.0020 + 0.0005	0.0060 + 0.0005	0.0070 + 0.0005	0.0080 + 0.0005	0.0010 + 0.0002	0.0002 + 0.0002
10 MΩ	500 nA	0.010 + 0.001	0.020 + 0.001	0.025 + 0.001	0.030 + 0.001	0.0030 + 0.0004	0.0030 + 0.0004
100 MΩ	500 nA   10 MΩ	0.100 + 0.001	0.250 + 0.001	0.350 + 0.001	0.400 + 0.001	0.1000 + 0.0001	0.0100 + 0.0001
1000 MΩ	500 nA   10 MΩ	2.000 + 0.001	2.500 + 0.001	3.500 + 0.001	4.000 + 0.001	1.0000 + 0.0001	0.1000 + 0.0001

- The specifications are for a 60-minute warm-up, an integration setting of 10 or 100 NPLC, auto-zero on, an AC slow filter, an ACAL run within the last 2 days, and 901 module connectivity.
- These specifications include offset characteristics contributed by the 901 Module & backplane (which adds DCV + 2 uV, 4-wire ohms + 2 mΩ).
- 20% over range on all ranges, except 300 VDC, 300 VAC, 1 ADC, 1 AAC, and diode test have 0%.
- Relative to calibration standards. The 24-hour spec is only applicable when calibrated with the same DAQM901 module that is being used to verify the spec.
- Add this for each °C outside the last ACAL ± 5 °C.
- Add this for each °C outside the last external standards calibration ± 5 °C.
- Specifications are for 4-wire ohms function or 2-wire ohms using math null for offset. Without math null, add 2 Ω additional error in the 2-wire ohms function. The 100M and 1G ohm ranges are 2-wire only. See the manual for low power ohms specification and measurement currents



# DC Current and Other DC Functions

Range <sup>2</sup>	24 Hour <sup>3</sup> Tcal ± 1 °C	90 Days Tcal ± 5 °C	1 Year Tcal ± 5 °C	2 Year Tcal ± 5 °C	Temperature Coefficient/°C <sup>5</sup>
<b>Accuracy ± (% of reading + % of range)<sup>1</sup></b>					
<b>Characteristics – typical: DC current</b>					
1 µA	0.017 + 0.005	0.040 + 0.005	0.050 + 0.005	0.060 + 0.005	0.0020 + 0.0010
10 µA	0.015 + 0.002	0.040 + 0.002	0.050 + 0.002	0.060 + 0.002	0.0015 + 0.0006
100 µA	0.012 + 0.001	0.040 + 0.001	0.050 + 0.001	0.060 + 0.001	0.0015 + 0.0004
<b>Specifications: DC current</b>					
1 mA	0.007 + 0.003	0.030 + 0.005	0.050 + 0.005	0.060 + 0.005	0.0015 + 0.0005
10 mA	0.007 + 0.020	0.030 + 0.020	0.050 + 0.020	0.060 + 0.020	0.0020 + 0.0020
100 mA	0.010 + 0.004	0.030 + 0.005	0.050 + 0.005	0.060 + 0.005	0.0020 + 0.0005
1 A	0.050 + 0.006	0.070 + 0.010	0.080 + 0.010	0.100 + 0.010	0.0050 + 0.0010
<b>Characteristics – Typical: Diode Test<sup>4</sup></b>					
5V	0.002 + 0.010	0.008 + 0.010	0.010 + 0.010	0.012 + 0.020	0.0010 + 0.0010

## Specifications: AC voltage

### True RMS AC Voltage<sup>6,7</sup>

<b>100 mV, 1 V, 10 V, and 100 V ranges</b>					
3 Hz – 5 Hz	0.50 + 0.02	0.50 + 0.02	0.50 + 0.02	0.50 + 0.02	0.010 + 0.003
5 Hz – 10 Hz	0.10 + 0.02	0.10 + 0.02	0.10 + 0.02	0.11 + 0.02	0.008 + 0.003
10 Hz – 20 kHz	0.02 + 0.02	0.04 + 0.02	0.05 + 0.02	0.06 + 0.02	0.007 + 0.003
20 kHz – 50 kHz	0.05 + 0.03	0.06 + 0.03	0.07 + 0.03	0.08 + 0.03	0.010 + 0.005
50 kHz – 100 kHz	0.15 + 0.05	0.15 + 0.05	0.15 + 0.05	0.15 + 0.05	0.060 + 0.008
100 kHz – 300 kHz	1.00 + 0.1	1.00 + 0.1	1.00 + 0.1	1.00 + 0.1	0.200 + 0.020
<b>300 V range</b>					
3 Hz – 5 Hz	0.50 + 0.05	0.50 + 0.06	0.50 + 0.06	0.50 + 0.06	0.010 + 0.008
5 Hz – 10 Hz	0.10 + 0.05	0.10 + 0.06	0.10 + 0.06	0.11 + 0.06	0.010 + 0.008
10 Hz – 20 kHz	0.02 + 0.05	0.04 + 0.06	0.05 + 0.06	0.06 + 0.06	0.010 + 0.008
20 kHz – 50 kHz	0.05 + 0.09	0.06 + 0.09	0.07 + 0.09	0.08 + 0.09	0.010 + 0.0012
50 kHz – 100 kHz	0.15 + 0.15	0.15 + 0.15	0.15 + 0.15	0.15 + 0.15	0.060 + 0.020
100 kHz – 300 kHz	1.00 + 0.3	1.00 + 0.3	1.00 + 0.3	1.00 + 0.3	0.200 + 0.050
<b>Specifications: True RMS AC Current<sup>7,8</sup></b>					
<b>100 µA, 1 mA, 10 mA, 100 mA, 1 A ranges</b>					
3 Hz – 5 kHz	0.07 + 0.04	0.09 + 0.04	0.10 + 0.04	0.10 + 0.04	0.015 + 0.006
5 kHz – 10 kHz (typical)	0.10 + 0.04	0.10 + 0.04	0.10 + 0.04	0.10 + 0.04	0.030 + 0.006

1. The specifications are for a 60-minute warm-up, an integration setting of 10 or 100 NPLC, auto-zero on, an AC slow filter, an ACAL run within the last 2 days, and 901 module connectivity.
2. 20% over range on all ranges except 300 VDC, 300 VAC, 1 ADC, 1 AAC, and the diode test, which has 0%.
3. Relative to calibration standards. The 24-hour spec is only applicable when calibrated with the same DAQM901 module that is being used to verify the spec.
4. Specifications are for the voltage measured at the input terminals. The 1 mA test current is typical. Variations in the current source will create variations in the voltage drop across a diode junction.
5. Add this for each °C outside Tcal ± 5 °C.
6. Specifications are for sinewave input > 0.3% of range and > 1 mVrms. For the 300 Vrms range inputs > 1% of range. All VAC ranges are limited to 8 x 10<sup>7</sup> Volt-Hz.
7. Low-frequency performance: three filter settings are available: 3 Hz, 20 Hz, and 200 Hz. Frequencies greater than these filter settings are specified with no additional errors.
8. Specifications are for sinewave input > 1% of range and > 10 µA AC.

# Characteristics: Capacitance (Typical)

## Capacitance<sup>1</sup>

1.0000 nF	0.50 + 0.50	0.50 + 0.50	0.50 + 0.50	0.50 + 0.50	0.05 + 0.05
10.000 nF	0.40 + 0.10	0.40 + 0.10	0.40 + 0.10	0.40 + 0.10	0.05 + 0.01
100.00 nF	0.40 + 0.10	0.40 + 0.10	0.40 + 0.10	0.40 + 0.10	0.05 + 0.01
1.0000 $\mu$ F	0.40 + 0.10	0.40 + 0.10	0.40 + 0.10	0.40 + 0.10	0.05 + 0.01
10.000 $\mu$ F	0.40 + 0.10	0.40 + 0.10	0.40 + 0.10	0.40 + 0.10	0.05 + 0.01
100.00 $\mu$ F	0.40 + 0.10	0.40 + 0.10	0.40 + 0.10	0.40 + 0.10	0.05 + 0.01

# Specifications: Frequency

## Frequency<sup>2,3</sup>

100 mV, 1V, 10V, 100 V, and 300 V ranges <sup>3</sup>					
3 Hz – 10 Hz	0.070	0.070	0.070	0.070	0.0002
10 Hz – 100 Hz	0.030	0.030	0.030	0.030	0.0002
100 Hz – 1 kHz	0.003	0.006	0.007	0.010	0.0002
1 kHz – 300 kHz	0.002	0.005	0.007	0.009	0.0002
Square wave	0.001	0.004	0.006	0.008	0.0002

## Additional frequency errors (% of reading)<sup>2</sup>

Aperture (resolution/range)	1 second	0.1 second	0.01 second	0.001 second	
3 Hz – 40 Hz	0	0.100	0.160	0.160	
40 Hz – 100 Hz	0	0.030	0.160	0.160	
100 Hz – 1 kHz	0	0.020	0.200	0.200	
1 kHz – 300 kHz	0	0.004	0.030	0.240	
Square wave <sup>4</sup>	0	0.000	0.000	0.003	

1. Specifications are for using Math Null zeroing. High dissipation factor capacitors may show different results than a single frequency measurement. Film capacitors usually have lower dissipation factors than other dielectrics.
2. Specifications are for sine wave input unless stated otherwise.
3. Input > 100 mV. For 10 mV to 100 mV inputs, multiply the % of reading error x10. Amplitude 10%–120% of the range except 30%–100% for the 300 ACV range. Specifications are for 1-second gate time (7-digits).
4. The square wave input is specified for 10 Hz–300 KHz for a one-second aperture. For shorter apertures, the minimum frequency requires more than two cycles.

# Characteristics: Temperature (Typical)

Thermocouple	DAQ970A/DAQ973A temperature ranges	Probe <sup>1</sup>	Ref junction and DMM accuracy
B	1100 °C to 1820 °C		1.2 °C
E	-150 °C to 1000 °C		1.0 °C
J	-150 °C to 1200 °C		1.0 °C
K	-100 °C to 1200 °C		0.9 °C
N	-100 °C to 1300 °C		1.0 °C
R	300 °C to 1760 °C		0.5 °C
S	400 °C to 1760 °C		1.2 °C
T	-100 °C to 400 °C		0.9 °C

Thermocouple	DAQ970A/DAQ973A extended temperature ranges	Probe <sup>1</sup>	Ref junction and DMM accuracy
B	400 °C to 1100 °C		1.8 °C
E	-200 °C to -150 °C		1.4 °C
J	-210 °C to -150 °C		1.6 °C
K	-200 °C to -100 °C		1.7 °C
N	-200 °C to -100 °C		2 °C
R	-50 °C to 300 °C		2.9 °C
S	-50 °C to 400 °C		1.8 °C
T	-200 °C to -100 °C		1.7 °C

RTD	Probe	DMM <sup>2</sup>
PT100 (DIN/IEC 751) PT1000	[ 3 ]	0.05 °C

Thermistor	Probe	DMM <sup>2</sup>
2.2 K, 5 K, 10 K	[ 3 ]	0.1 °C

## Other measurement functionality

### Strain

Direct strain – measured as 2 or 4 wire ohms (customer enters gauge parameters)

Bridge strain – voltage measurement (1/4, 1/2, and full bridge, Bending, and Poisson configurations, requires an external power supply and bridge

1. Thermocouple probe accuracies would come from the thermocouple supplier and should be selected based on the required temperature ranges.
2. DMM accuracy assumes measurement with DAQM901A. For module Ohms measurements - see respective switch modules.
3. Accuracy specification depends on the manufacturing specifications of the device.

# Single Channel Reading Rates to I/O or Internal Memory (Nominal)

	DAQ970A Int Memory (1M)	DAQ970A LAN, USB	DAQ973A Int Memory (1M)	DAQ973A LAN, USB, GPIB
Single ch ASCII rdgs – DCV, Ohms	50,000/s	50,000/s	50,000/s	50,000/s
Single ch ASCII rdgs – ACV, ACI	250/s	250/s	250/s	250/s
Single ch ASCII rdgs – Freq, period	800/s	800/s	800/s	800/s
Single ch (chg Scale)	100/s	100/s	100/s	100/s
Single ch (chg Func)	50/s	50/s	50/s	50/s

# Scanning Measurement Rates to I/O or Internal Memory (Nominal)

	DAQ970A Int Memory (1M)	DAQ970A LAN, USB	DAQ973A Int Memory (1M)	DAQ973A LAN, USB, GPIB
<b>Scanning DCV or Ohms channels</b>				
DAQM900A (INIT, MEAS, FETch)	450	450	500	500
DAQM901A	80	80	80	80
DAQM902A	250	250	250	250
DAQM902A (INIT, FETch)	240	240	240	240
DAQM902A (MEAS)	240	240	240	240
DAQM902A (scale, alarm)	220	220	220	220
DAQM902A (Alt channel)	80	80	80	80
DAQM908A	80	80	80	80
DAQM910A	80	80	80	80
<b>Scanning ACV channels</b>				
DAQM900A	90	90	90	90
DAQM901A	50	50	50	50
DAQM902A	90	90	90	90
DAQM908A	50	50	50	50
DAQM910A	50	50	50	50
<b>Scanning temperature – thermistor or TC channels</b>				
DAQM900A	150	150	150	150
DAQM901A	50	50	50	50
DAQM902A	150	150	150	150
DAQM910A	50	50	50	50
<b>Scanning digital in TOTALIZER channels</b>				
DAQM907A (Digital IN)	275	275	275	275
DAQM907A (Totalizer)	240	240	240	240

## Data out of Memory (FETch of 50K reading) (Nominal)

Single channel	DAQ970A/DAQ973A over USB	DAQ970A/DAQ973A over LAN	DAQ973A over GPIB
Readings	55,000/s	120,000/s	2,500/s
Readings (with timestamp)	35,000/s	60,000/s	1,500/s
Readings (format option ON)	25,000/s	50,000/s	1,000/s

## Noise performance for DC voltage, DC current, and resistance (Measured)

Integration time	Digits <sup>1</sup>	RMS Noise adder (% of range + fixed base) <sup>2</sup>		
		DC Volt	Ohms	DC current <sup>3</sup>
100 PLC/1.67 s (2 s)	6.5	0	0	0
10 PLC/167 ms (200 ms)	6.5	0	0	0
1 PLC/16.7 ms (20 ms)	6.5	0.0001 + 0.5 $\mu$ V	0.0001 + 0.5 m $\Omega$	0.0006 + 0.02 nA
0.2 PLC/3 ms (3 ms)	6.5	0.0005 + 3 $\mu$ V	0.0010 + 10 m $\Omega$	0.0050 + 5 nA
0.06 PLC/1 ms (1 ms)	6	0.0020 + 3 $\mu$ V	0.0020 + 10 m $\Omega$	0.0070 + 10 nA
0.02 PLC/400 $\mu$ s (300 $\mu$ s)	6	0.0020 + 3 $\mu$ V	0.0020 + 10 m $\Omega$	0.0070 + 10 nA

1. For DCV on the 10-volt range with zero volts input and auto zero on.
2. The RMS noise adder was measured with zero volts input and auto zero on.
3. The following DCI ranges have these additional multipliers: The 10 mA by 5x, and the 100 mA by 2x.

## DC and AC Current Burden Voltage at Full Scale (Measured)

DC current range	Burden voltage
1 $\mu$ A	< 0.0011 V
10 $\mu$ A	< 0.011 V
100 $\mu$ A	< 0.11 V
1 mA	< 0.11 V
10 mA	< 0.027 V
100 mA	< 0.27
1 A	< 0.7

## A/D linearity (Measured)

0.0001% of reading + 0.0001% of range

# Measurement Characteristics

<b>DC voltage</b>	
Measurement method	Keysight patented continuous integration of multi-slope IV A/D converter.
A/D Linearity	0.0001% of reading + 0.0001% of range
<b>Input resistance</b>	
0.1 V, 1V, 10V range	Selectable 10 M $\Omega$ or >10 G $\Omega$
100 V, 300 V range	10 M $\Omega$ $\pm$ 1%
Input bias current	< 30 pA at 25 $^{\circ}$ C
Input protection	300 V on all ranges
<b>True RMS AC voltage</b>	
Measurement type	AC-coupled True RMS. Measures the AC component of the input.
Measurement method	Digital sampling with anti-alias filter
Maximum input	250 DCV, 300 Vrms
Input impedance	1 M $\Omega$ $\pm$ 1%, in parallel with < 100 pF
Input protection	300 Vrms
<b>DC current</b>	
Input protection	1.6A 250V fuse on DAQM901A
<b>True RMS AC current</b>	
AC measurement method	Digital sampling with anti-alias filter
Input protection	1.6A 250V fuse on DAQM901A
<b>AC crest factor and peak input</b>	
Crest factor	10:1 maximum crest factor, (3:1 at full-scale). Measurement bandwidth is limited to 300 kHz for signal plus harmonics.
Peak input	300% of range or maximum input
Overload ranging	If peak input overload is detected during auto range, it will select a higher range. Overload is reported in manual ranging.
<b>Resistance</b>	
Measurement method	Will select 4-wire or 2-wire ohms. Current source referenced to LO input.
Maximum lead resistance (4-wire ohms)	10% of range per lead for 100 $\Omega$ and 1 k $\Omega$ ranges. 1 k $\Omega$ on all other ranges
Input protection	300 V
<b>Temperature</b>	
Thermocouple	
Conversion	ITS-90 software compensation
Reference junction type	Internal, Fixed, and External
Open thermocouple check	Selectable per channel. Open > 5 k $\Omega$ .



RTD	PT100 and PT1000 Transducer Type
Thermistor	44004, 44006, 44007 Series
<b>Measurement noise rejection</b>	
60 Hz (50 Hz) for 1 k $\Omega$ LO lead unbalance ( $\pm$ 500 V peak maximum) DCV CMRR: 140 dB ACV CMRR: 70 dB	
Integration time	Normal mode rejection <sup>1</sup>
$\geq$ to 1 PLC	60 dB <sup>2</sup>
< 1 PLC	0 dB
External trigger latency	< 1.4 ms (with display ON and monitor ON < 100 ms)
External trigger jitter	< 16 $\mu$ s (with display ON and monitor ON < 18 ms)
<b>Frequency and period</b>	
Measurement method	Reciprocal-counting technique. Measurement is AC-coupled using AC measurement functions.
Voltage ranges	100 mVrms full scale to 300 Vrms. Auto or manual ranging.
Gate time	1 ms, 10 ms, 100 ms, or 1 s
Measurement considerations	All frequency counters are susceptible to error when measuring low-voltage, low-frequency signals. Shielding inputs from external noise pickup is critical for minimizing measurement errors.

1. For power-line frequency  $\pm$  0.1%.

2. For power-line frequency  $\pm$  1%, the NMR is 40 dB. For  $\pm$  3%, use 30 dB.



# General Characteristics

Line power	
Power supply (Mains supply voltage fluctuation is not allowed to exceed $\pm 10\%$ )	100 – 240 Vac
Power line frequency	50/60/400 Hz
Power consumption	75 VA Max
Environment	
Operating temperature	Full accuracy at 0 to 55 °C
Storage temperature	-40 to +70 °C
Operating humidity	Full accuracy to 80% RH, at 40 °C non-condensing (Humidity degrades linearly to 50% RH at 55 °C non-condensing)
Operating altitude	Up to 3,000 m
Mechanical	
Rack dimensions	(W x H x D): 212.6 mm x 88.5 mm x 348.3 mm
Bench dimensions	(W x H x D): 261.0 mm x 103.7 mm x 378.0 mm
Weight	DAQ970A/DAQ973A: 4.2 kg
Regulatory	
Safety and EMC	Refer to Declaration of Conformity for the latest revisions of regulatory compliance at <a href="http://www.keysight.com/go/conformity">http://www.keysight.com/go/conformity</a> Pollution Degree 2
Acoustic noise - Nominal	35 dBA
Triggering conditions	
External	Delay, Jitter, Minimum Pulse Width, Maximum rate
Voltmeter complete	Polarity, Pulse Width
Computer interfaces	LXI (rev 1.4) USB, LAN, GPIB (DAQ973A only)
Language	SCPI-1999, IEEE-488, 34970A/34972A compatible
Front panel USB host port	USB 2.0 – high-speed mass storage (MSC) class device Capability: Import/export instrument configuration files, save volatile readings and screen captures
Software	
	Download BenchVue Basic at <a href="http://www.keysight.com/find/BVBasic">www.keysight.com/find/BVBasic</a> for free to control your instruments.

# Switch Modules Characteristics

The Keysight DAQ970A/DAQ973A accuracy specifications already include the switching offset and reference junction errors shown below. These errors are listed separately to determine system errors with external measurement devices. Up to three modules, in any combination, can be inserted into a single mainframe. The DAQ970A/DAQ973A's internal DMM connections are accessible only through the DAQM900A, DAQM901A, DAQM902A, DAQM908A, and DAQM910A low-frequency multiplexers. On-module screw terminals accept wire sizes from 16-gage to 22-gage. A twenty-gage wire is recommended for high channel count applications. The DAQM905A RF Multiplexer uses SMB connectors. A standard set of (10) BNC-to-SMB adapter cables is provided with each RF module for convenient BNC connections.

	Multiplexer	Multiplexer	Multiplexer	Actuator	Matrix	RF multiplexer	Multiplexer	Multiplexer
	DAQM900A	DAQM901A	DAQM902A	DAQM903A	DAQM904A	DAQM905A	DAQM908A	DAQM910A
Number of channels	20	20 + 2	16	20 (SPDT)	4 x 8 (2 wire)	Dual 1x4	40 (1 wire)	20
Scanning speed	450 ch/s	80 ch/s	250 ch/s				80 ch/s	80 ch/s
Open/close speed		120 ch/s	120 ch/s	120 ch/s	120 ch/s	60 ch/s	70 ch/s	120 ch/s
<b>Internal DMM measurement functions supported</b>								
Voltage AC/DC	Yes <sup>3,4</sup>	Yes	Yes	No	No	No	Yes	Yes
Current AC/DC	No	Yes	No	No	No	No	No	No
Frequency/period	Yes	Yes	Yes	No	No	No	Yes	Yes
Ohms – 2 wire	Yes <sup>2</sup>	Yes	Yes <sup>5</sup>	No	No	No	Yes	Yes
Ohms – 4 wire	Yes <sup>2</sup>	Yes	Yes <sup>5</sup>	No	No	No	No	Yes
Thermocouple	Yes	Yes	Yes	No	No	No	No	Yes
RTD 2-wire	No	Yes	Yes	No	No	No	Yes	Yes
RTD 4-wire	No	Yes	Yes	No	No	No	No	Yes
Thermistor	No	Yes	Yes	No	No	No	Yes	Yes
Capacitance	No	Yes	Yes	No	No	No	Yes	Yes
<b>Characteristics – typical: Input</b>								
Voltage (dc, ac rms)	120 V	300 V	300 V	300 V	300 V	42 V	300 V	40 Vpk
Current (dc, ac rms)	0.02 A	1 A	50 mA	1 A	1 A	0.7 A	1 A	1 A
Power (W, VA)	2.4 W	50 W	2 W	50 W	50 W	50 W	50 W	50 W
<b>Characteristics – typical: DC</b>								
Offset voltage (incremental to DMM specs)	< 4 $\mu$ V	0 $\mu$ V <sup>6</sup>	< 4 $\mu$ V	< 1 $\mu$ V	< 1 $\mu$ V	< 4 $\mu$ V	< 1 $\mu$ V	0 $\mu$ V <sup>6</sup>
Offset resistance (4-wire) (incremental to DMM specs)	< 4 m $\Omega$	0 m $\Omega$ <sup>6</sup>	< 4 $\Omega$					0 m $\Omega$ <sup>6</sup>
Initial closed channel R	< 50 $\Omega$	< 1.0 $\Omega$	< 1.0 $\Omega$	< 0.2 $\Omega$	< 1.0 $\Omega$	< 0.5 $\Omega$	< 1.0 $\Omega$	< 1.0 $\Omega$
Isolation Ch-Ch, Ch-Earth	> 10 G $\Omega$	> 10 G $\Omega$	> 10 G $\Omega$	> 10 G $\Omega$	> 10 G $\Omega$	> 1 G $\Omega$	> 10 G $\Omega$	> 10 G $\Omega$

1. DMM accuracy assumes measurement with DAQM901A. For 900 module  $\Omega$  measurements - see note 2.
2. The series resistance of the DAQM900A limits the use of the 100  $\Omega$  and 1 k $\Omega$  resistance range. This limits the precision of 2-wire  $\Omega$  on resistance. Keysight recommends the use of 4-wire  $\Omega$  for these 2 ranges. The maximum resistance range of DAQM900A is 1 M $\Omega$ . The 10 M $\Omega$  and above ranges are not specified in this module.

3. For AC Volts—This module's input impedance decreases with frequency. A source impedance of 5 Ω or less will maintain specifications over the full frequency range, and a source impedance of 50 ohms or less will maintain specifications to 5 kHz.
4. Additional settling time may be needed for DC Volts due to the short integration time and higher source impedance.
5. Resistance range ≥ 1 MΩ is Typical.
6. Absolute Offset is < 2μV, Incremental Offset to 901 = 0μV. 2μV included in DCV's % of range specs. The offset for this module is already included in the specifications above.

	DAQM900A	DAQM901A	DAQM902A	DAQM903A	DAQM904A	DAQM905A	DAQM908A	DAQM910A
<b>Characteristics – typical: AC</b>								
Ch-Ch crosstalk (at 1 MHz)	NA	- 50 dB	-55 dB	- 60 dB	- 50 dB	- 110 dB	- 25 dB	- 50 dB
Capacitance (Hi-Lo)	NA	< 50 pF	< 65 pF	10 pF	< 50 pF	< 20 pF	< 50 pF	< 50 pF
Capacitance (Lo-Earth)	NA	< 150 pF	< 135 pF	< 80 pF	< 80 pF	NA	< 80 pF	< 150 pF
Volt-Hertz limit	10^8	10^8	10^8	10^8	10^8	10^10	10^8	10^8
<b>Characteristics – typical: Other</b>								
T/C CRJ accuracy <sup>1</sup>	0.8 °C	0.8 °C	0.8 °C					0.8 °C
Switch life (no load)	Unlimited within FET Bank <sup>2</sup>	100 M	100 M	100 M	100 M	5 M	100 M	100 M
Switch life (rated load) <sup>3</sup>	Unlimited within FET Bank <sup>2</sup>	100 K	100 K	100 K	100 K	100 K	100 K	100 K
Operating temperature	All cards: 0 to 55 °C							
Storage temperature	All cards: -40 °C to 70 °C							
Humidity (non-condensing)	All cards: 40 °C to 80% RH							
<b>Characteristics – nominal: DAQM905A</b>								
AC	10 MHz	100 MHz	500 MHz	1 GHz	1.5 GHz	2 GHz		
Insertion loss (dB)	-0.1	-0.4	-0.6	-1	-1.2	-3		
SWR	1.02	1.05	1.2	1.2	1.3	1.4		

1. Errors included in DMM measurement accuracy specifications.
2. This module has an Armature backplane & 2 W/4 W relays with 100 M operational life (FET life within banks is unlimited). Limiting backplane & 2 W/4 W relay cycling is recommended.
3. Applies to resistive loads only.

# Multiplexer Selection

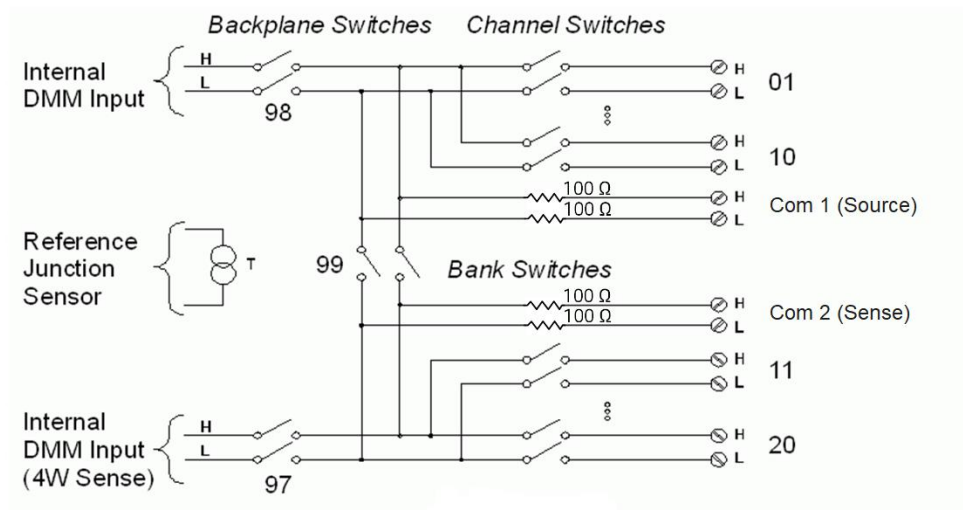
Choose between the broad functionality of the DAQM901A, the high-speed scanning of the DAQM902A, the DAQM900A solid-state module, the single-ended density of the DAQM908A, or the enhanced low voltage protection of the DAQM910A. These five modules are the only way to connect to the DAQ970A/DAQ973A internal DMM. They can be used to scan with external instruments as well. All multiplexer modules employ break-before-make scanning, ensuring only one closed channel (or channel pair) at a time.

## DAQM900A

### 20-Channel General Purpose Multiplexer

- 450 ch/s scanning
- Two- and four-wire scanning
- Built-in thermocouple reference junction
- 120 V switching

The DAQM900A module is divided into two banks of 10 two-wire channels each. All 20 channels switch both HI and LO inputs, thus providing fully isolated inputs to the internal DMM or an external instrument. During 4-wire resistance measurements, channels from Bank A are automatically paired with channels from Bank B to provide the source and sense connections. The module has a built-in thermocouple reference junction to minimize errors due to thermal gradients when measuring thermocouples.



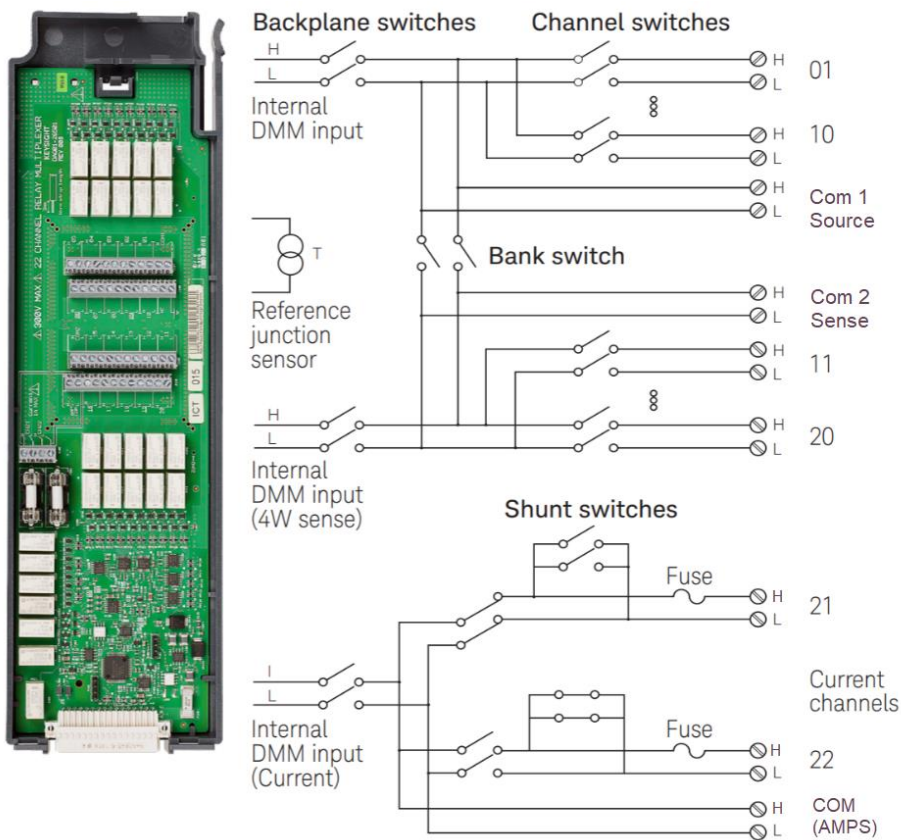
# DAQM901A

## 20-Channel General Purpose Multiplexer

- 80 ch/s scanning
- Two- and four-wire scanning
- Built-in thermocouple reference junction
- 300 V switching

The Keysight DAQM901A is the most versatile multiplexer for general-purpose scanning. It combines dense, multi-function switching with 80-channel/second scan rates to address a broad spectrum of data acquisition applications.

Two- and four-wire channels can be mixed on the same module. Two additional fused inputs (22 channels total) route up to 1 A of current to the internal DMM, allowing AC and DC current measurements without the need for external shunt resistors.



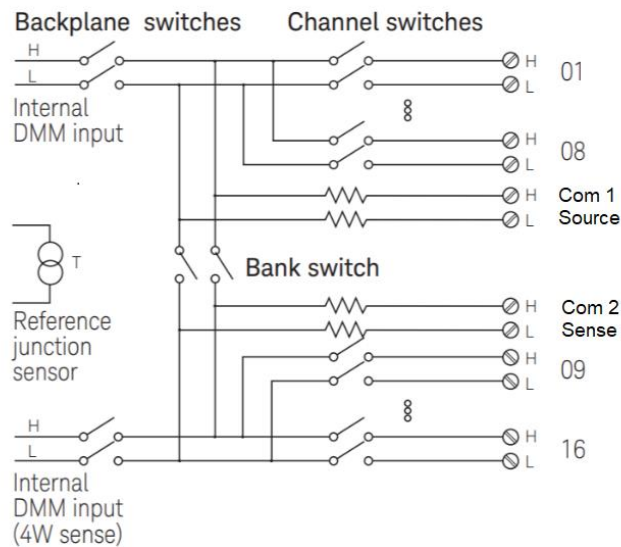
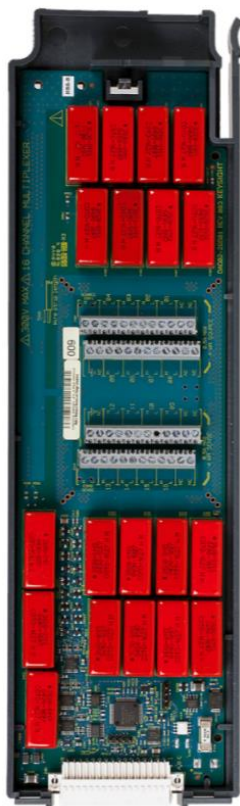
# DAQM902A

## 16-Channel High-Speed Multiplexer

- Scanning up to 250 ch/s
- Two- and four-wire scanning
- Built-in thermocouple reference junction

The Keysight DAQM902A employs reed relays to achieve scan rates of up to 250 channels per second. This module is suitable for high-throughput automated test applications and high-speed data logging and monitoring tasks.

Sixteen two-wire inputs switch up to 300 V. Two- and four-wire channels may be mixed on the same module. User-provided shunt resistors are required for current measurements.



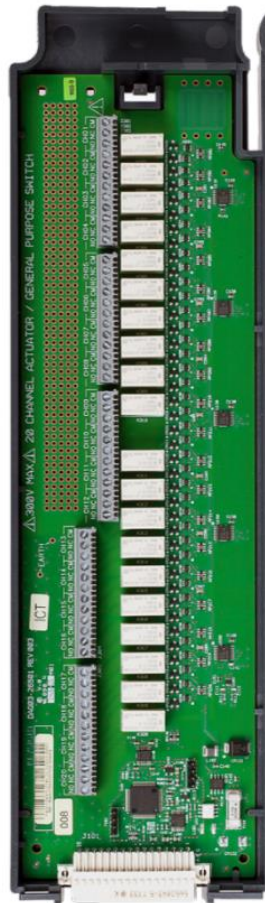
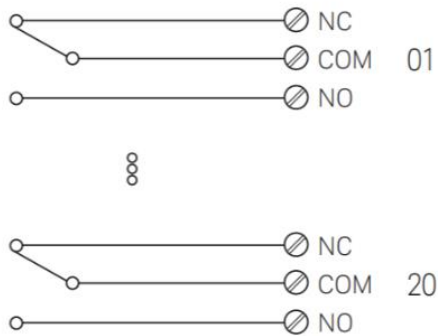
*Note: Not recommended for connection to ac line without external transient suppression.*

# DAQM903A

## 20-Channel Actuator/General Purpose Switch

- SPDT (Form C) latching relays
- 300 V, 1 A actuation and control

This general-purpose switch module has 20 independent single-pole, double-throw (SPDT) relays. It can cycle power to products under test, control indicator and status lights, and actuate external power relays and solenoids. It can also be combined with matrix and multiplexer modules to build custom switch systems. Its 300 V, 1 A contacts can handle up to 50 W, enough for many powerline switching applications.





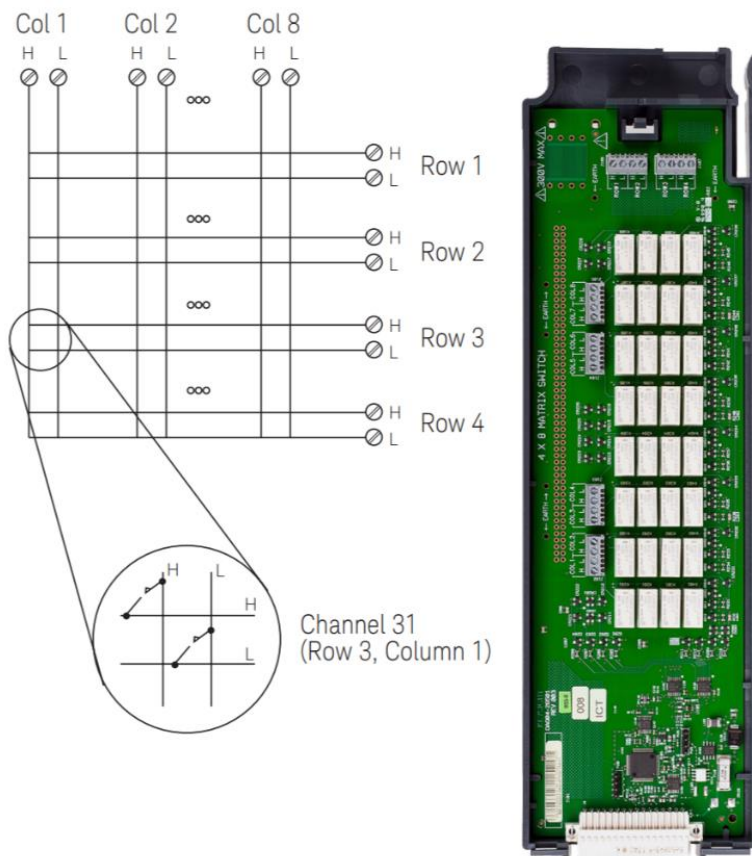
# DAQM904A

## 4x8 Two-wire Matrix Switch

- 32 two-wire cross-points
- 300 V, 1 A switching

The Keysight DAQM904A provides the most flexible connection path between your device under test and your test equipment, allowing different instruments to be connected to multiple points on your DUT simultaneously.

Rows or columns may be connected between multiple modules to build 8x8, 4x16, or larger matrices with up to 96 cross-points in a single frame.



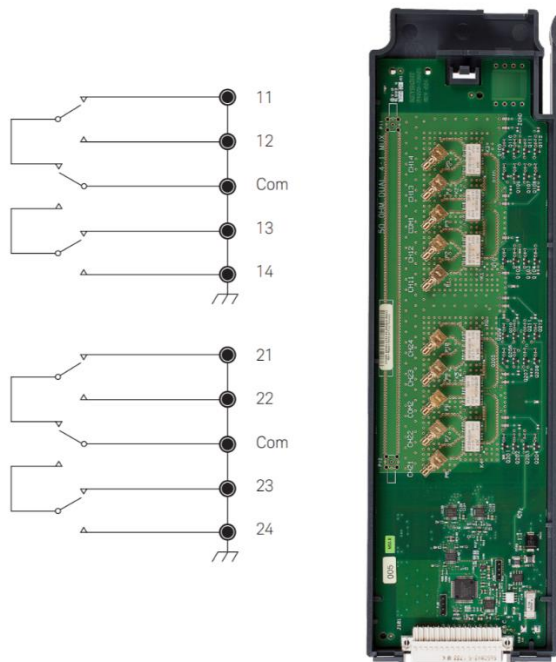
# DAQM905A

## Dual 4-Channel RF Multiplexer 50 $\Omega$

- 2 GHz bandwidth
- BNC to SMB adapter cables included

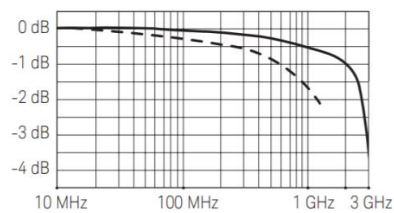
The Keysight DAQM905A RF multiplexers offer broadband switching capabilities for high-frequency and pulsed signals. Use them to route test signals between your device under test and your signal generator, oscilloscope, spectrum analyzer, or other instrumentation.

The RF multiplexers are arranged as two independent 1x4 multiplexers, each with a common shield and a switched center conductor. Connections can be made directly to SMB inputs with 2 GHz usable bandwidth or to the BNC-to-SMB adapters provided with 1 GHz bandwidth. Multiple banks may be cascaded together for applications requiring even larger topologies—create a 16:1 multiplexer in a single frame.

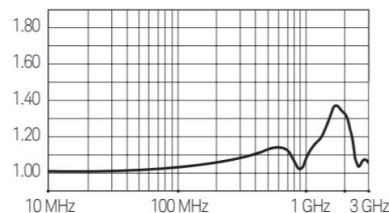


## 50 $\Omega$ MUX typical AC performance graphs

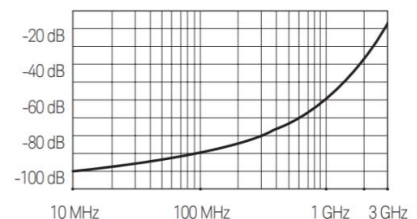
Insertion loss



VSWR



Crosstalk



- Direct to card
- - - Using provided adapter cables

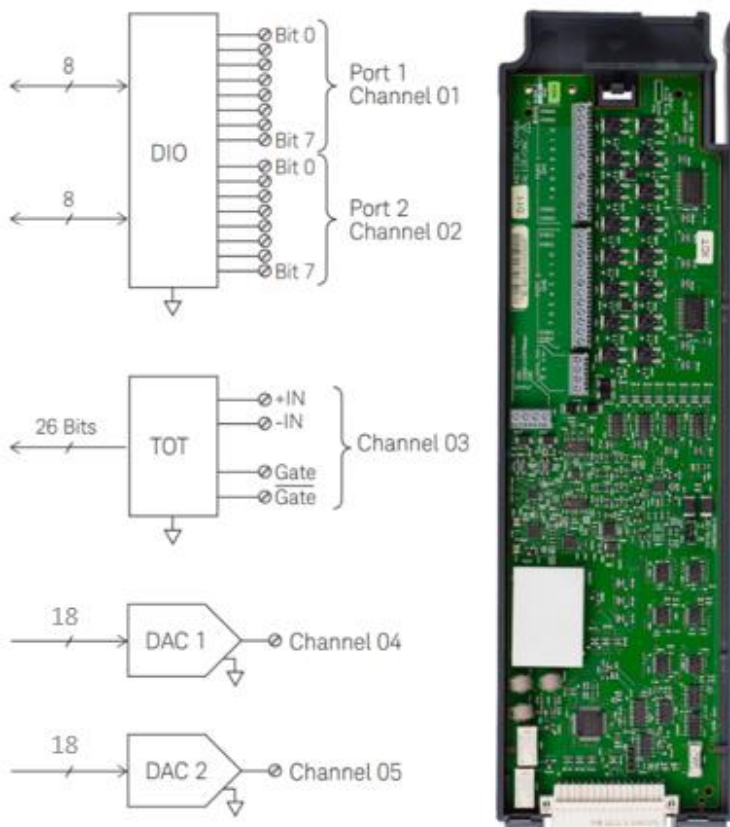
# DAQM907A

## Multiplexer Module

- 18 bits of digital input and output
- 100 kHz totalizer input
- Two  $\pm 12$  V analog outputs (Voltage mode) or  $\pm 24$  mA outputs (Current mode)

The Keysight DAQM907A allows great flexibility for various sense and control applications. It combines two 8-bit digital input and output ports, a 100 kHz gated totalizer, and two  $\pm 12$  V or  $\pm 24$  mA analog outputs—all on a single earth-referenced module. The digital inputs and totalizer input may be included in a scan. Alarm limits for the digital and event counter inputs are evaluated continuously, capturing and logging alarm conditions even between scans.

In addition, it has two additional channels (Channels 6 and 7) that can sense output current when sourcing voltage or output voltage when sourcing current.



# DAQM907A Multifunction Module Characteristics

Measurement functionality	
Digital I/O (Port 1, 2)	18 bits, Input or Output, non-isolated
Totalizer	100 kHz Input
Analog outputs	2 channels, $\pm 12$ V (Voltage mode) or $\pm 24$ mA (Current mode)
Characteristics – typical <sup>1, 2, 3</sup>	
DAC (output and readback)	Accuracy
Voltage	$\pm 0.027\%$ of output + 4.4 mV
Current	$\pm 0.115\%$ of output + 4.4 $\mu$ A
Characteristics – nominal	
DIO Port 1, 2	8-bit, input or output, non-isolated
Vin(L)	< 0.8 V (TTL)
Vin(H)	> 2.0 V (TTL)
Vout(L)	< 0.8 V @ Iout = -400 mA
Vout(H)	> 2.4 V @ Iout = 1 mA
Vin(H) max	< 42 V with external open drain pull-up
Alarming	Maskable pattern match or state change
Speed	4 ms (max) alarm sampling
Latency	5 ms (typical) to DAQ970A/DAQ973A alarm output
Read/write speed	95/s
Max count	$2^{26} - 1$
Totalize input	100 kHz (max) Rising or falling edge, programmable, min H or L time 5 $\mu$ S
Signal level	1 V <sub>p-p</sub> (min) 42 V <sub>pk</sub> (max)
Threshold	0 V or TTL, jumper selectable
Gate Input	TTL-Hi, TTL-Lo, or none
Count reset	Manual or Read + Reset
Read speed	85/s
DAC <sup>(1, 2)</sup>	$\pm 12$ V or $\pm 24$ mA non-isolated
Resolution	100 $\mu$ V, 0.2 $\mu$ A
Voltage mode current	15 mA max per channel
Current mode compliance	12 V
Settling time	1 ms to 0.01% of output

1. ACAL required within the last 30 days to achieve performance accuracies.
2. ACAL assumes  $\pm 2$  °C with no additional TC adders.
3. Mainframe DMM – calibrated through the DAQM901A module.

## Digital input/output

Use the digital outputs with an external power supply to control microwave switches and attenuators, solenoids, power relays, indicators, and more. Use the digital inputs to sense limit switch and digital bus status. There are no complex handshake modes; reads and writes are initiated either from the front panel or the bus.

### Characteristics

Port 1, 2	8-bit, input or output, non-isolated
Vin(L)	< 0.8 V (TTL)
Vin(H)	> 2.0 V (TTL)
Vout(L)	< 0.8 V @ Iout = -400 mA
Vout(H)	> 2.4 V @ Iout = 1 mA
Vin(H) max	< 42 V with external open drain pull-up
Alarming	Maskable pattern match or state change
Alarm Speed	4 ms (max) alarm sampling
Alarm Latency	5 ms (typical) to DAQ970A/DAQ973A alarm output
Read/write speed	95/s

## Totalize input

Count events from devices like photo interrupters, limit switches, and Hall-effect sensors.

It keeps an updated total, which can be read via the front panel or programmatically at any time. With 26 bits of resolution, it can count events at full speed for nearly 11 minutes without an overflow.

### Characteristics

Max count	226 - 1
Totalize input	100 kHz (max) Rising or falling edge, programmable
Signal level	1 Vp-p (min) 42 Vpk (max)
Threshold	0 V or TTL, jumper selectable
Gate Input	TTL-Hi, TTL-Lo, or none
Count reset	Manual or Read + Reset
Read speed	85/s

## Analog output

Use the two electronically calibrated analog outputs to source bias voltages to your device under test, to control your analog programmable power supplies, or use the outputs as setpoints for your control systems. The outputs are programmed directly in volts from the front panel or the bus.

In addition, it has two additional channels (Channels 6 and 7) that can sense output current when sourcing voltage or output voltage when sourcing current.

### Characteristics

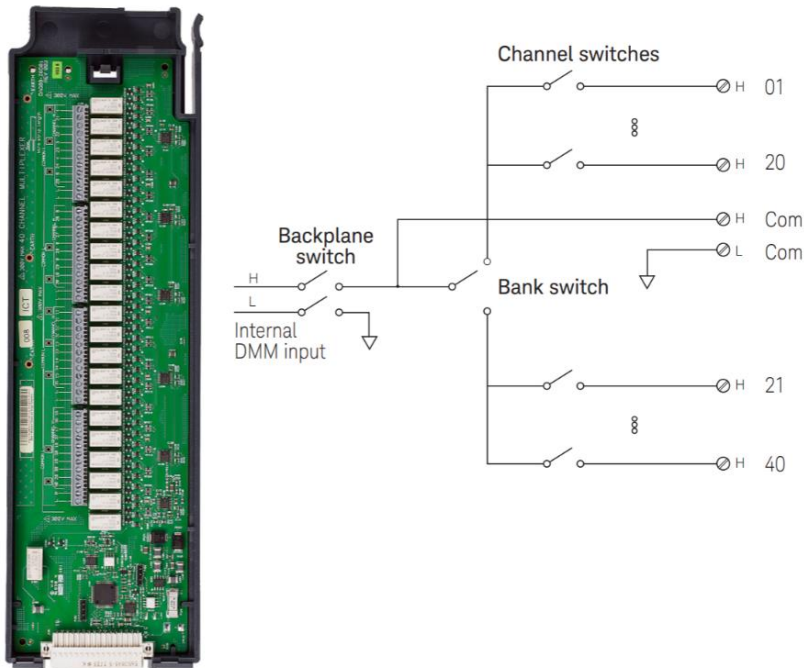
DAC 1, 2	$\pm 12$ V (Voltage mode) or $\pm 24$ mA (Current mode) analog outputs
Resolution	100 $\mu$ V, 0.2 $\mu$ A
IOUT	$\pm 15$ mA max at voltage output mode per channel, $\pm 24$ mA Current output mode per channel
Settling time	1 ms to 0.01% of output
Accuracy	$\pm$ (% of output + mV), 1 year $\pm 5$ °C Voltage: $\pm 0.027\%$ output + 4.4 mV Current: $\pm 0.115\%$ of output + 4.4 $\mu$ A

# DAQM908A

## 40-Channel Single-Ended Multiplexer

- 80 ch/s scanning
- Single-wire switching for common low applications

Use the Keysight DAQM908A for the greatest density in common low applications, such as battery tests, component characterization, and benchtop testing. Each module switches 40 one-wire inputs. All two-wire internal measurements except current are supported. The module's low connection is isolated from the Earth and can float up to 300 V.



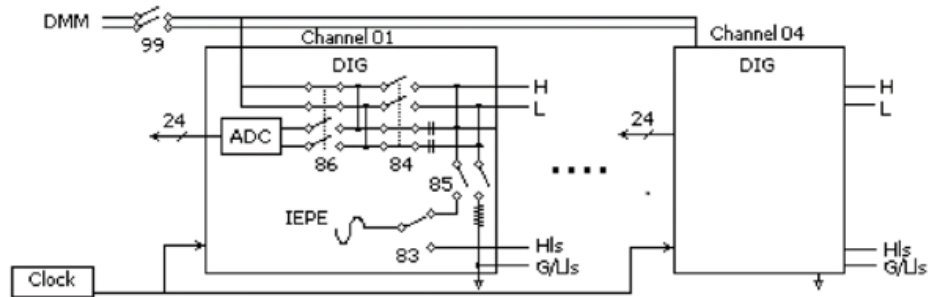
# DAQM909A

## 4-Channel 24-bit Digitizer

- Simultaneous sampling
- Up to 800 kSa/s at 24-bit
- Time/frequency domain measurement with Benchvue DAQ

The DAQM909A is a four-channel digitizer module capable of providing four simultaneously sampled channels with a sampling rate as high as 800k samples per second and a maximum resolution of 24 bits. The input channels of the DAQM909A can be configured as differential inputs or single-ended inputs, and each can provide up to 4mA of constant current to power up an external IEPE transducer.

When three DAQM909A modules are inserted within the same instrument, all 12 channels can be synchronized to provide simultaneous sampling.





## DAQM909A (continued)

Measurement functionality	
DC Volt	
ADC per channel	800 kSa/s @ 24-bit
Range (Hi, Lo Input to Earth) <sup>1</sup>	0.3 Vpk, 1 Vpk, 3 Vpk, 18 Vpk
Range (Differential input)	0.6 Vpk, 2 Vpk, 6 Vpk, 36 Vpk
Range (Differential input – sinewave Vrms) <sup>2</sup>	0.42 Vrms, 1.4 Vrms, 4.2 Vrms, 25 Vrms
Residual noise (20 Hz – 20 kHz)	7 $\mu$ Vrms, 16 $\mu$ Vrms, 52 $\mu$ Vrms, 175 $\mu$ Vrms
IEPE current source	OFF or ON, ON (2mA – 4mA)
IEPE currents source compliance voltage	20 V
Trigger count	1 to 85k
Sample count	1 to 16M
Pre-trigger count	0 to sample count
Trigger arm event (System)	IMM, Scan-sweep, Alarm-#
Trigger event (channel)	Software, IMM, Level/Slope
Trigger event (same module)	External/Slope, Chan-#
Trigger event (module-module)	Any Chan-#
External trigger input (one per module)	TTL compatible
External trigger delay	0 – 1000s, 1 $\mu$ s steps
External trigger latency	1-sample
External Trigger-In terminals	Screw terminal ( $\geq$ 20-gage wire)
Measurement input terminals	Screw terminal ( $\geq$ 20-gage wire)
Frequency or Time domain anti-alias filters	Yes
Time-stamped measurements	Yes (Acoustic Start)
Acquisition memory/channel	16M to 48M Samples
Log multiple digitized records (volatile)	Yes
Automatic file copy to flash drive	Yes

1. The DAQM909 is alias-protected for out-of-band inputs to 6MHz with amplitudes < 10dB below the range's maximum.
2. Balanced differential input, amplitude = range max -1dB (and < 12Vrms), 50kSa/s, frequency mode, 20kHz analysis bandwidth, DC-coupled.

## DAQM909A (continued)

Characteristics: Typical	
Accuracy (DC) <sup>1</sup>	0.017% of readings + 0.004% of range (ACAL)
THD (1 kHz) <sup>2</sup>	- 103 dB
SFDR (1 kHz) <sup>2</sup>	- 105 dB
THD (20 Hz - 20 kHz) <sup>2,3</sup>	- 83 dB
SFDR (20 Hz - 20 kHz) <sup>2</sup>	- 85 dB
Characteristics: Nominal	
Flatness (dc - 20 kHz)	0.1 dB
Input impedance (Hi or Lo to Earth)	1 MΩ    400 pF
Single-Ended (SE) Lo-Earth	150 Ω
Coupling	AC, DC
A/D converter (per channel)	24-bit Delta-Sigma
Sample rate	
Time domain	800 k/2 <sup>n</sup> n=0,1,2,... 9
Frequency domain	100 k/2 <sup>n</sup> n=0,1,2,... 6
Acquisition bandwidth	
Time domain (-3 dB)	0.2*Fs or 125 kHz max
Frequency domain (-0.1 dB)	0.4*Fs or 30 kHz max
Analog bandwidth (-3 dB)	125 kHz (measured)
Channel-to-channel gain match (1 kHz)	0.003 dB
Channel to channel phase match (1 kHz) <sup>4</sup>	0.045°
Channel to Channel cross-talk (1 kHz) <sup>4</sup>	-100 dB
Common mode input voltage	
Range (0.3, 1, 3 Vpk)	± 8 V
Range (18 Vpk range)	± 18 V
Common mode rejection	60 dB (dc – 1 kHz, DIFF in)
Oversvoltage protection	± 42 V

1. AC accuracy = DC accuracy + Flatness
2. Balanced differential input, amplitude = range max -1dB (and < 12Vrms), 50kSa/s, frequency mode, 20kHz analysis bandwidth, DC-coupled.
3. THD analysis BW is up to 20kHz. All harmonics above 20kHz are excluded. Worst case THD is usually at 6.67kHz.
4. Performance within the same module.

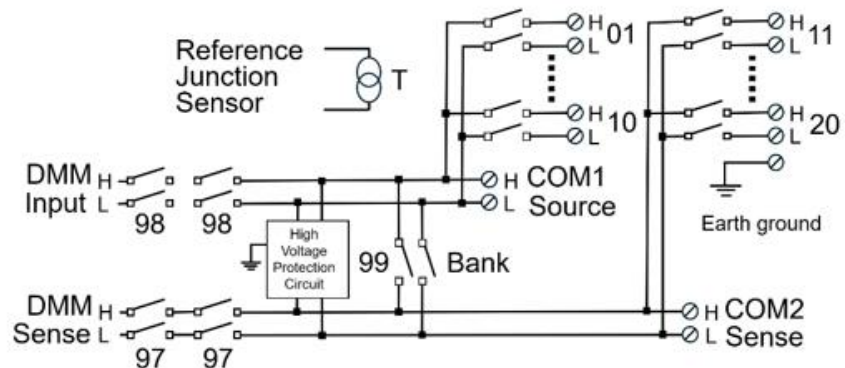
# DAQM910A

## Low Voltage 20-Channel Armature Multiplexer

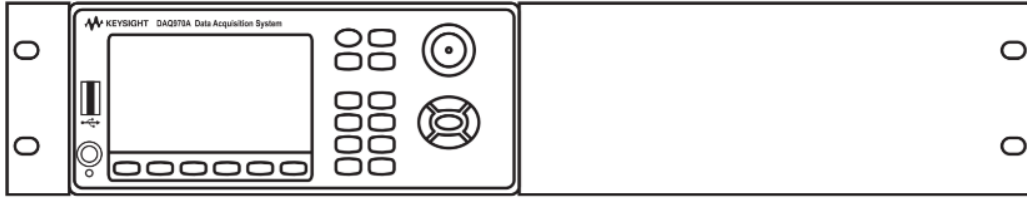
- 80 ch/s scanning
- Two- and four-wire scanning
- Built-in thermocouple reference junction
- 40 Vpk switching

The Keysight DAQM910A is a versatile multiplexer for general-purpose scanning. It combines dense, multi-function switching with 80-channel/second scan rates to address a broad spectrum of data acquisition applications. The DAQ970A/DAQ973A can combine high and low-voltage signals into a single mainframe. The DAQM910A provides enhanced voltage protection to ensure that high voltage signals from the backplane will not be allowed on the DAQM910A user channels. If a high voltage signal,  $>\pm 40$  Vpk, is detected, then the backplane switches open automatically in less than 15 ms.

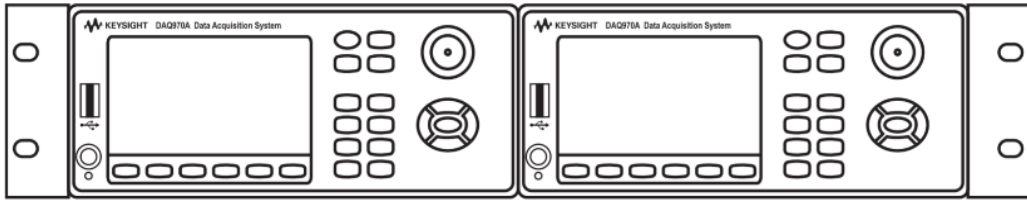
Two- and four-wire channels can be mixed on the same module. To support this module, the DAQ97XA mainframe must have firmware revision 03.00 or above.



# Rack Mounting



To rack mount a single instrument, order the adapter kit (part number: DAQ190A or 1CM124A)



To rack mount two instrument side-by-side, order the lock-link kit (part number: DAQ194A or 34194A) and flange kit (part number: DAQ191A or 1CM107A)

# Ordering Information

## Mainframe

DAQ970A	Data Acquisition System Mainframe with USB and LAN
DAQ973A	Data Acquisition System Mainframe with USB, LAN, and GPIB
Option Z54	ANSI Z540 compliant calibration

## Modules

DAQM900A	20-Channel solid-state multiplexer
DAQM901A	20-Channel armature multiplexer
DAQM902A	16-Channel reed multiplexer
DAQM903A	20-channel actuator/general-purpose switch
DAQM904A	4 x 8 Two-wire matrix switch
DAQM905A	Dual 4-Channel RF multiplexer, 50 $\Omega$
DAQM907A	Multifunction module
DAQM908A	40-Channel single-ended multiplexer
DAQM909A	4-Channel simultaneous sampling digitizer
DAQM910A	Low voltage 20-channel armature multiplexer

## Accessories

11062A	Kelvin clip set
34307A	10-pack of J-type thermocouples
34308A	5-pack of 10 k $\Omega$ thermistors
34905-60001	Kit of 10 SMB-to-BNC adapter cables, 50 $\Omega$

Keysight enables innovators to push the boundaries of engineering by quickly solving design, emulation, and test challenges to create the best product experiences. Start your innovation journey at [www.keysight.com](http://www.keysight.com).



This information is subject to change without notice. © Keysight Technologies, 2018 – 2024, Published in USA, November 14, 2024, 59922-3168.EN