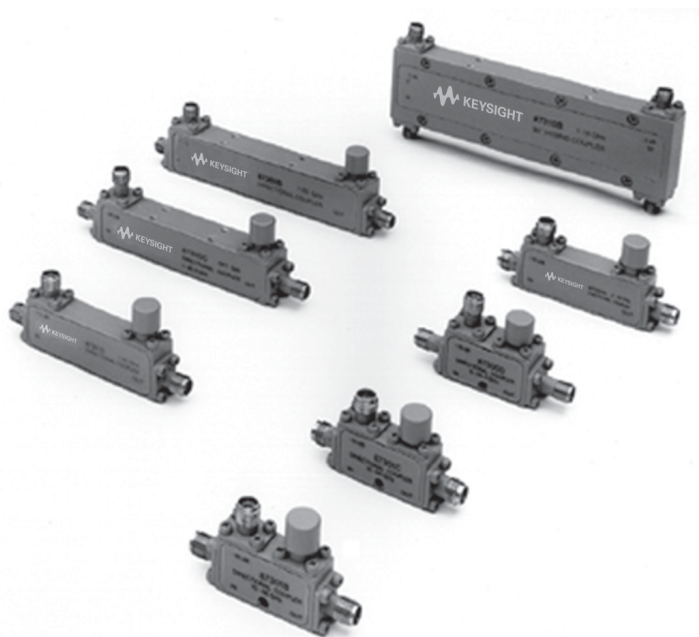


87300B, C, D and 87301B, C, D, E Directional Couplers

87310B Hybrid Coupler

Introduction

The Keysight Technologies, Inc. 87300 Series of compact, broadband directional/sampling and hybrid couplers are well suited for signal monitoring or, when combined with a coaxial detector, signal leveling. See page 2 for the wide range of product offerings.



Features and Description

- Compact size
- Broadband up to 50 GHz
- Excellent performance

Product Applications

These compact, broadband directional couplers are important components for many microwave measurement systems. Although most modern signal generators and sweepers supply signals whose power levels are stable with respect to frequency, variations in signal level are introduced due to the cable losses (which increase with frequency) and the frequency response of other components in the signal path. Inserting a directional coupler into the system with a suitable microwave detector to supply feedback to the ALC circuit of a signal generator or sweeper provides a leveled signal at a particular point in the system (Figure 8).

Keysight 8474B, C, E detectors offer excellent broad-band frequency response and low SWR for this application. Other applications include power monitoring with an 848X series power sensor connected to the sampling port. Connect the sampled signal port to a microwave counter to monitor frequency or to a signal analyzer for frequency spectrum monitoring (Figure 9).

Specifications

Model	87300B	87300C	87300D
Frequency range	1 to 20 GHz	1 to 26.5 GHz	6 to 26.5 GHz
Nominal coupling and variation with respect to output (or coupling factor over insertion loss)	10 ± 0.5 dB	10 ± 1 dB	10 ± 0.5 dB
Frequency sensitivity	± 0.35 dB, 1 to 20 GHz	± 0.5 dB, 1 to 26.5 GHz	± 0.3 dB
Directivity	16 dB	> 14 dB, 1 to 12.4 GHz > 12 dB, 12.4 to 26.5 GHz	13 dB
Maximum SWR	1.35	1.35, 1 to 12.4 GHz 1.50, 12.4 to 26.5 GHz	1.40
Insertion loss	< 1.5 dB	< 1.2 dB, 1 to 12.4 GHz < 1.7 dB, 12.4 to 26.5 GHz	< 1.3 dB
Typical insertion loss (dB, f = freq. in GHz)	0.6 + 0.04f	0.6 + 0.04f	0.6 + 0.025f
Power rating			
Average Peak	20 W 3kW	20 W 3kW	20 W 3kW
Connectors	SMA (f)	3.5 mm (f)	3.5 mm (f)
Weight in grams (oz)	74 (2.6)	60 (2.1)	31.2 (1.1)

Specifications

Model	87301B	87301C	87301D	87301E
Frequency range	10 to 46 GHz	10 to 50 GHz	1 to 40 GHz	2 to 50 GHz
Nominal coupling and variation with respect to output (or coupling factor over insertion loss)	10 ± 0.7 dB	10 ± 0.7 dB	13 ± 1 dB	10 ± 1 dB
Frequency sensitivity	± 0.3 dB	± 0.5 dB	± 1.2 dB, 1 to 40 GHz	± 0.6 dB, 2 to 26.5 GHz ± 0.8 dB, 2 to 50 GHz
Directivity	10 dB	10 dB	14 dB, 1 to 20 GHz 10 dB, 20 to 40 GHz	13 dB, 2 to 26.5 GHz 10 dB, 26.5 to 50 GHz
Maximum SWR	1.80	1.80	1.5, 1 to 20 GHz 1.7, 20 to 40 GHz	1.5, 2 to 26.5 GHz 1.8, 26.5 to 50 GHz
Insertion loss	< 1.9 dB	< 1.9 dB	< 1.2 dB, 1 to 20 GHz < 1.9 dB, 20 to 40 GHz	< 2 dB
Typical insertion loss	0.8 + 0.022f	0.8 + 0.022f	0.4 + 0.035f	0.55 + 0.025f
Power rating Average				
Peak	20 W 3 kW	20 W 3 kW	20 W 3 kW	20 W 3 kW
Connectors	2.92 mm (f)	2.4 mm (f)	2.4 mm (f) or 2.92 mm (f) for Option 292	2.4 mm (f)
Weight in grams (oz)	28.4 (1)	28.4 (1)	37 (1.3)	34 (1.2)

Keysight 87310B	Specifications
Frequency range	1 to 18 GHz
Coupling	3 dB
Amplitude imbalance	± 0.5 dB at each port, centered at -3 dB
Phase imbalance	± 10 degrees
Isolation	17 dB
Maximum SWR	1.35
Insertion loss	< 2 dB
Power rating	
Average	20 W
Peak	3 kW
Connectors	SMA (f)
Weight in grams (oz)	148 (5.2)

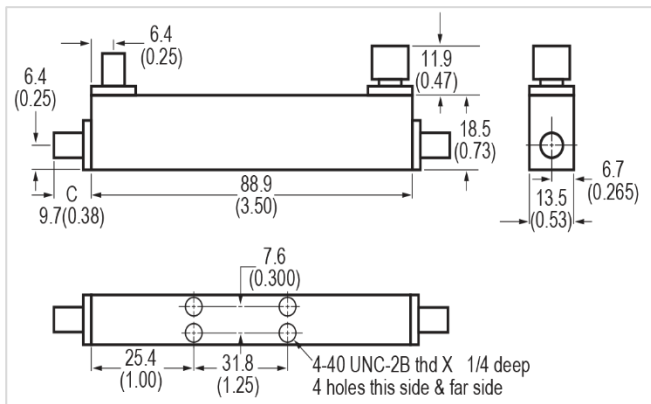


Figure 2. 87300B

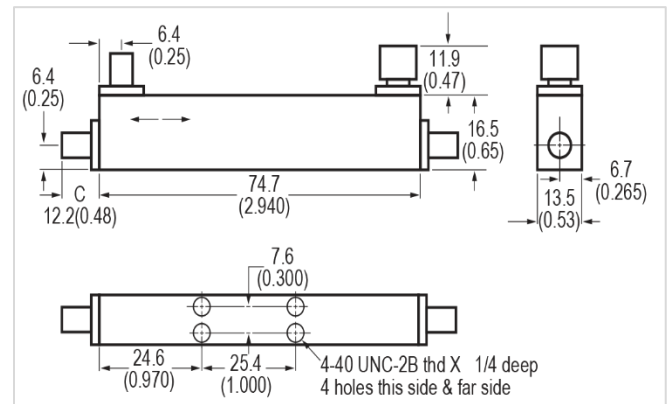


Figure 3. 87300C

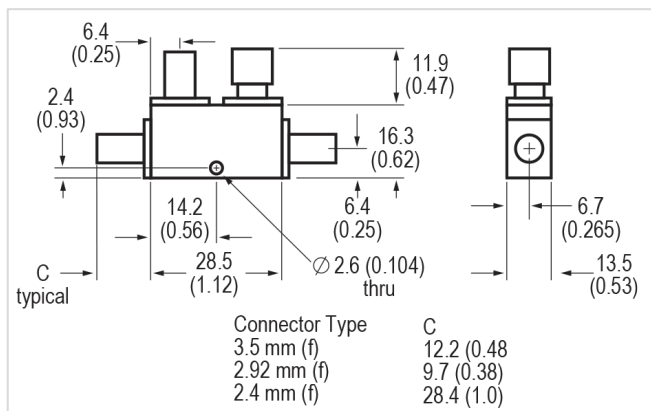


Figure 4. 87300D

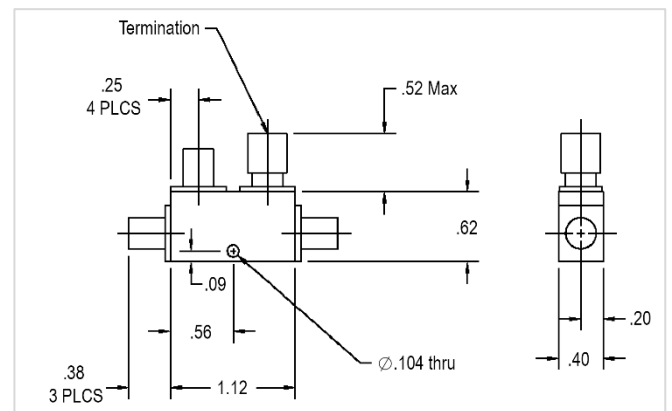


Figure 5. 87301B, 87301C

Notes: Dimensions are in millimeters (inches) nominal unless otherwise specified.

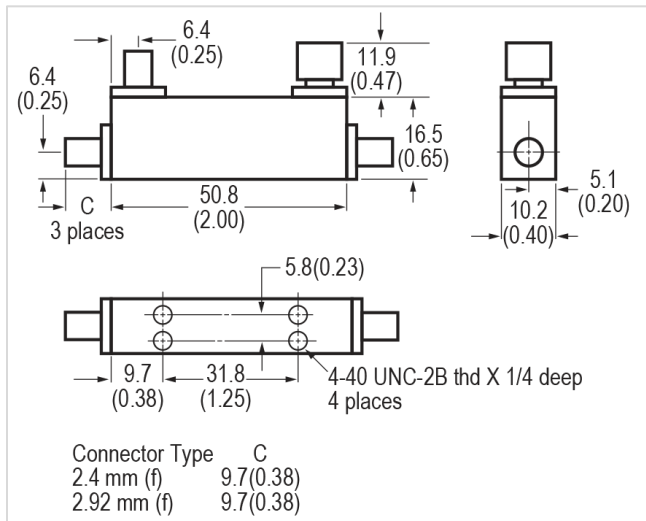


Figure 6. 87301D, 87301E

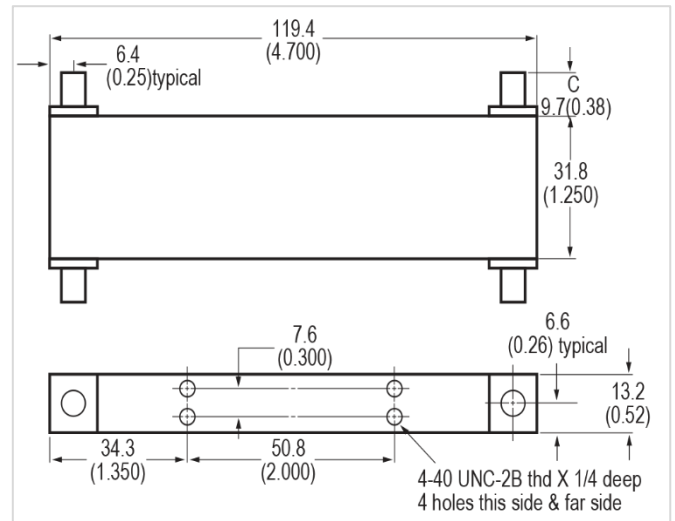


Figure 7. 87310B

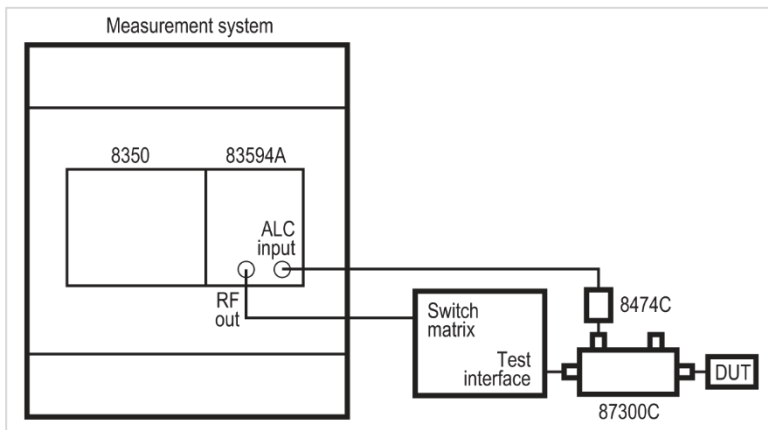


Figure 8.

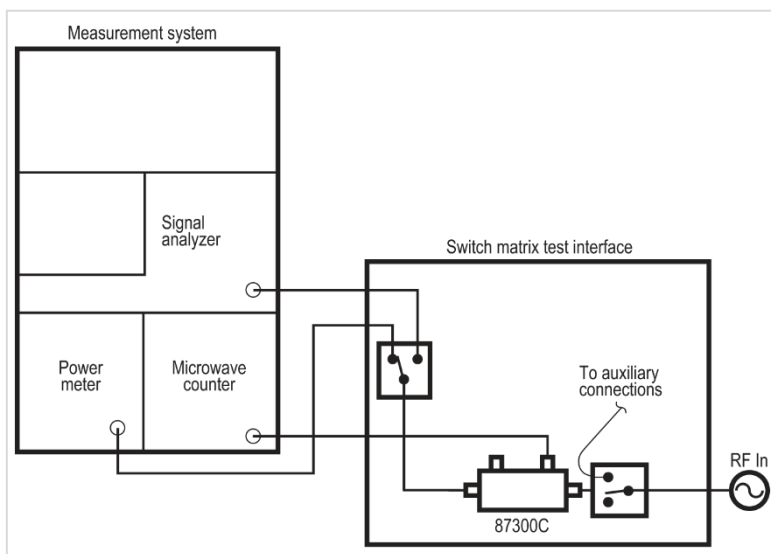


Figure 9.

Notes: Dimensions are in millimeters (inches) nominal unless otherwise specified.

Quick Check Procedure

Throughout this procedure, each connection made must be accomplished by following the Principles of Microwave Connector Care. Select the correct microwave cables and adapters when preparing the test setup.

87300B/C/D and 87301B/C/D/E Directional Coupler

1. Calibrate the network analyzer with full 2-Port calibration with setup based on network analyzer model being used. The test setup is shown in Figure 10.
2. Save Cal Set to network analyzer's memory.
3. Connect the device under test (DUT) to the network analyzer per Figure 10. **The unused port to be terminated with a 50 Ω termination.**
4. Measure insertion loss (S21). Measure input port and output port VSWR and record only worst case measurement on either port (S11) or (S22), and verify the measurement is within the limits as shown in the specification. **Normalize S21¹.**
5. Move test port 2 to port 3 of DUT, see Figure 11. **The unused port to be terminated with a 50 Ω termination.** Measure and record coupled port VSWR (S33) and verify the measurement is within the limits as shown in the specification.

1. Store the S-parameter trace in network analyzer's memory.

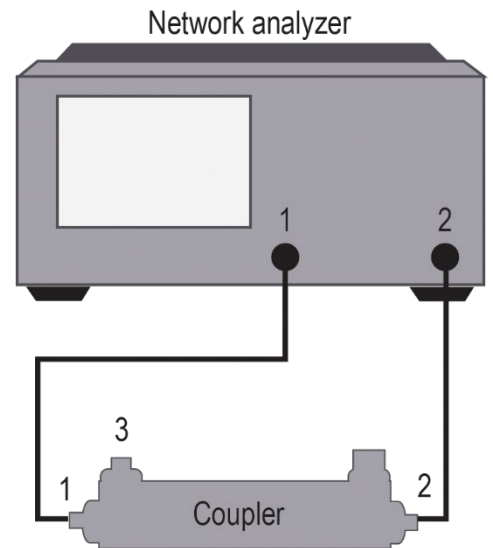


Figure 10. Equipment setup using network analyzer with coupler

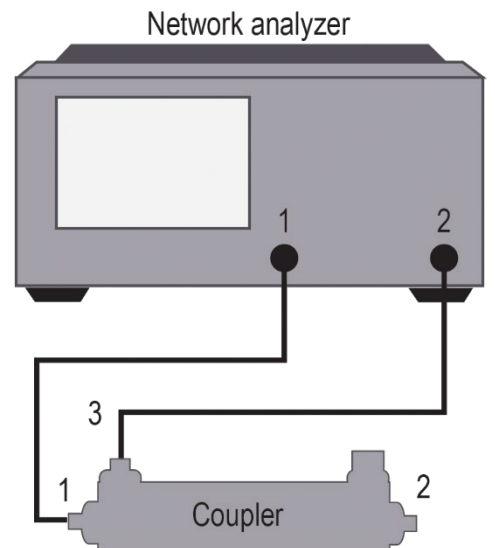


Figure 11. Equipment setup using network analyzer with coupler port 1 and port 3

6. Measure **nominal coupling** $(S_{31}/S_{21})^1$ and **frequency sensitivity** $(S_{31}/S_{21})^1$ by using the equations below.
7. With the same setup as Figure 11, **normalize S31**².
8. Reverse the coupler as shown in Figure 12. Measure and record **directivity** $(S_{31}/S_{21})^1$.

$$\text{Nominal coupling}^3 = \frac{\text{min. coupling point} + \text{max. coupling point}}{2}$$

$$\text{Frequency sensitivity}^3 = \frac{\text{min. coupling point} - \text{max. coupling point}}{2}$$

87310B Hybrid Coupler

1. Select the correct microwave cables and adapters when preparing the test setup.
2. Calibrate the network analyzer with full 2-port calibration with setup based on network analyzer model being used. The test setup is shown in Figure 13.
3. Save Cal Set to network analyzer's memory.
4. Connect the device³ under test (DUT) to the network analyzer per Figure 13. The unused port to be terminated with a 50 Ω termination.
5. Measure the maximum input and 0 degree output port VSWR and record only worst case measurement on either port, (S11) or (S22). Maximum specified VSWR is 1.35. Then **normalize S21**².

1. Perform "Data/Mem" operation (current measurement data is divided by the data in memory). Then under trace view options, select "data trace" to display the actual measurement trace.
2. Store the S-parameter trace in network analyzer's memory.
3. From the current measurement trace (after Data/Mem function performed), turn on Marker 1 and 2, then locate the minimum and maximum coupling points respectively. Calculate the "nominal coupling" or "frequency sensitivity" using the given formulas above.

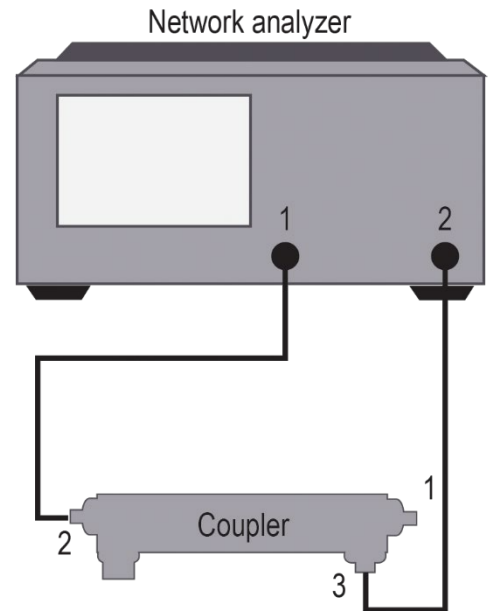


Figure 12. Equipment setup using network analyzer with coupler port 2 and port 3

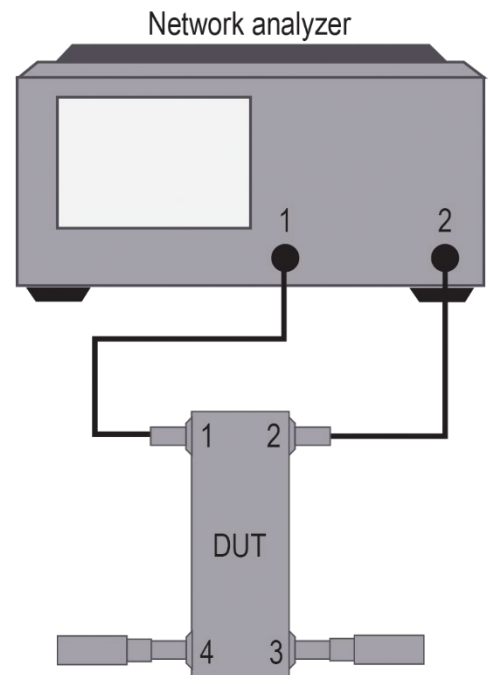


Figure 13. Equipment setup using network analyzer with coupler

87310B Hybrid Coupler, continued

6. Move test port 2 to port 3 of the DUT, see Figure 14. The unused port to be terminated with a 50 Ω termination. Measure and record -90 degree output port 3 VSWR (S33). Verify the measurement is within the limits as shown in the specification.
7. Measure **amplitude imbalance (S31/S21)**¹.

The following example (Figure 15), of the maximum deviation from 0.0 dB reference is approximately -0.7 dB at 1 GHz. The allowable maximum imbalance is 1.0 dB². So, the measured amplitude imbalance value -0.7 dB is within the specification.

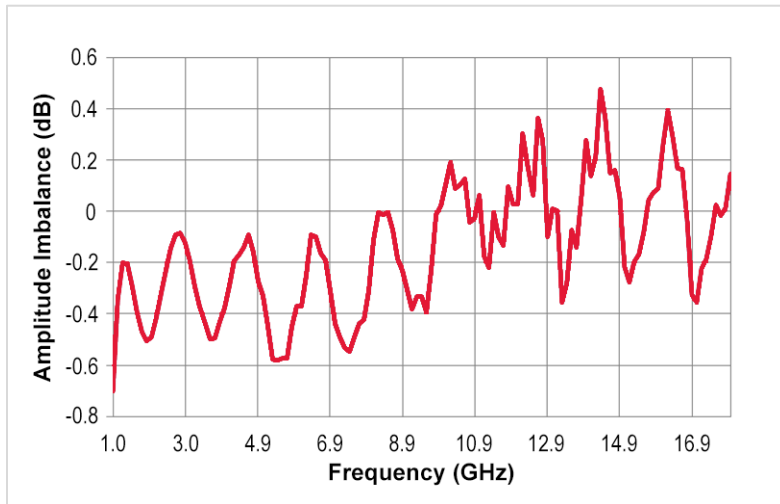


Figure 15. This graph shows the maximum deviation from 0.0 dB reference is approximately -0.7 dB at 1 GHz.

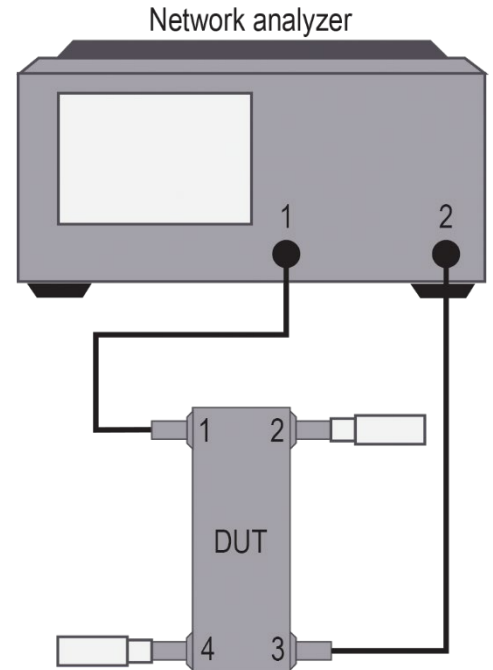


Figure 14. Equipment setup using network analyzer with coupler port 1 and port 3

1. Perform "Data/Mem" operation (current measurement data is divided by the data in memory). Then under trace view options, select "data trace" to display the actual measurement trace.
2. The maximum amplitude imbalance at any specific frequency point is 1.0 dB as referenced at 0.0 dB within the frequency band

8. With the same setup as above, change the format to **phase and measure the phase imbalance (S31/S21)**¹.
9. Connect the DUT as shown in Figure 16. Measure and record **isolation S41 and S44 SWR**.
10. Connect the DUT as shown in Figure 17. Measure and record **isolation S32**.

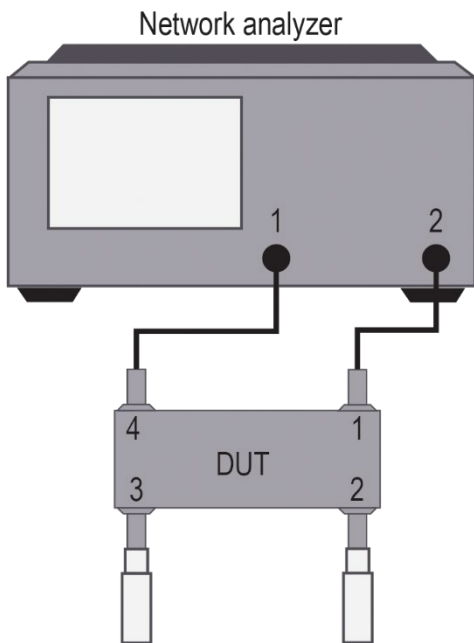


Figure 16. Equipment setup using network analyzer with coupler port 1 and port 4

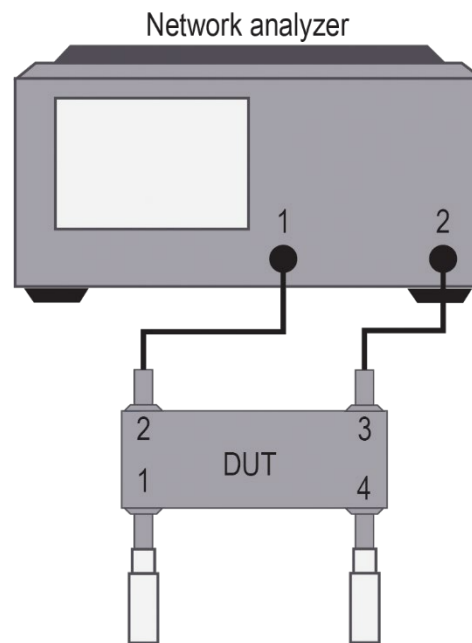


Figure 17. Equipment setup using network analyzer with coupler port 1 and port 3

1. Phase imbalance is defined as the difference between phases of port 3 to port 2 within the frequency band.,

Learn more at: www.keysight.com

For more information on Keysight Technologies' products, applications or services, please contact your local Keysight office. The complete list is available at: www.keysight.com/find/contactus

