

Keysight N8958A Rack Mount Kit

This guide describes how to install the Keysight N8958A Rack Mount Kit. The kit allows the Keysight N8900 series power supplies to be mounted in a Keysight 19-inch EIA rack cabinet. Note that non-Keysight cabinets may not have the rack column features required by this kit.

You cannot use standard support rails for rack mounting this series of power supplies. With standard rails, the rack width is less than the instrument width. This kit replaces the standard rails.

Obtaining Documentation

Download the latest version of the Keysight N8900 Series Operating and Service Guide from the Web at <http://www.keysight.com/find/N8900>.

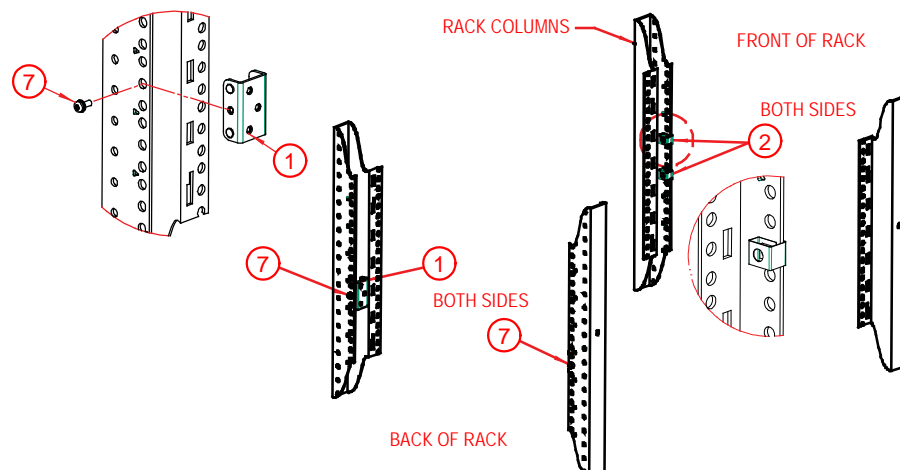
Items Supplied

| Item | Description | Qty | Part number | Item | Description | Qty | Part number |
|------|--------------|-----|-------------|------|---------------------|-----|-------------|
| 1 | Rear bracket | 2 | 5003-2099 | 5 | Joining strap | 2 | 5003-2098 |
| 2 | Clip nuts | 4 | 0590-0804 | 6 | Rear support bar | 1 | 5003-2100 |
| 3 | Right rail | 1 | 5003-2096 | 7 | M4 screws | 18 | 0515-0380 |
| 4 | Left rail | 1 | 5003-2097 | 8 | Dress screw (10-32) | 4 | 0570-1366 |

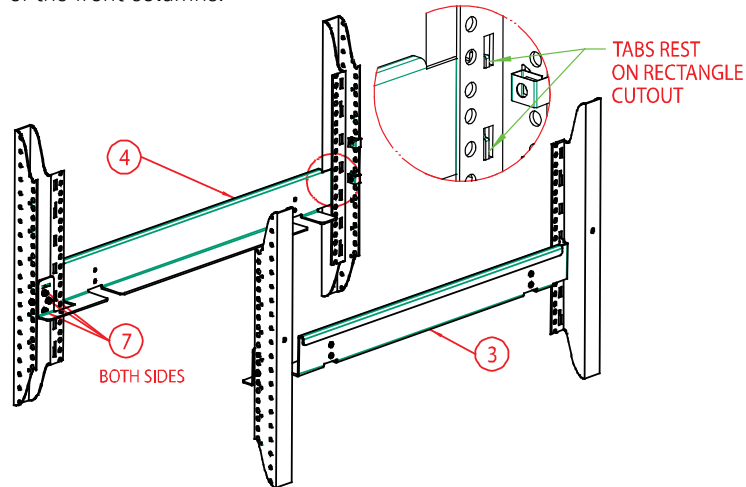
Rack Installation

Tools required: Torx T20 driver; Phillips driver.

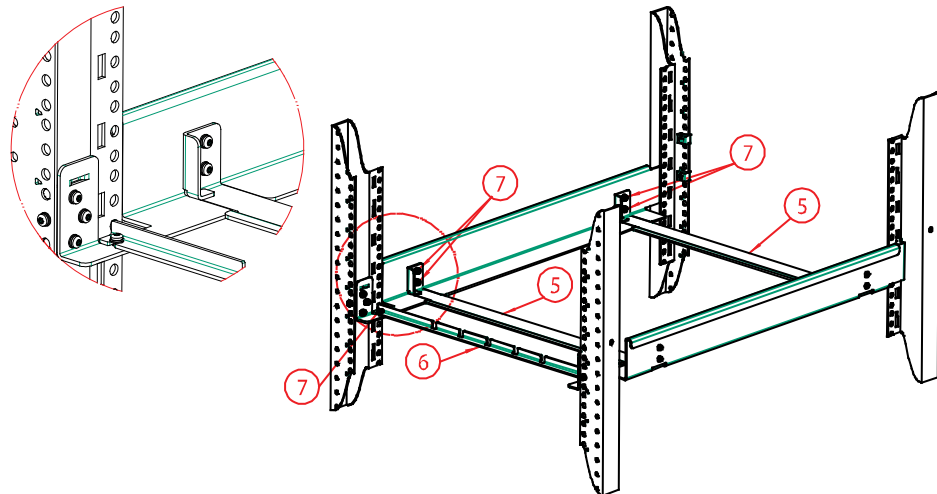
1. Install the two rear brackets on the rear columns of the rack where your unit will be located. Use two of the M4 screws.
2. Install the four clip nuts on the front columns of the rack.



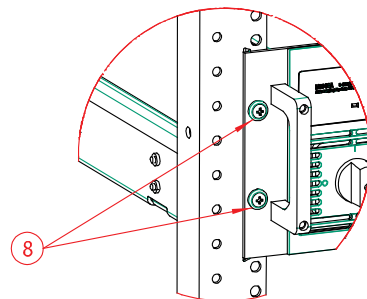
3. Install the right and left rails to the rack columns. Use six of the M4 screws to attach the columns to the rear brackets. The front tabs of the rails rest inside the rectangular cutouts of the front columns.



4. Install the two joining straps to the front and back of the right and left rails. Use eight of the M4 screws.
5. Install the rear support bar to the right and left rails. Use two of the M4 screws.



6. Slide the instrument into the rack. Attach the front of the instrument to the rack columns using the four 10-32 dress screws provided.



CAUTION Two people are required when handling units. Because of the unit's weight, do not lift or move it alone. Moving by hand should be avoided wherever possible. If unavoidable, lift only the instrument's chassis; do not lift the unit using the exterior handles, knobs, or output terminals.