

Rack Installation

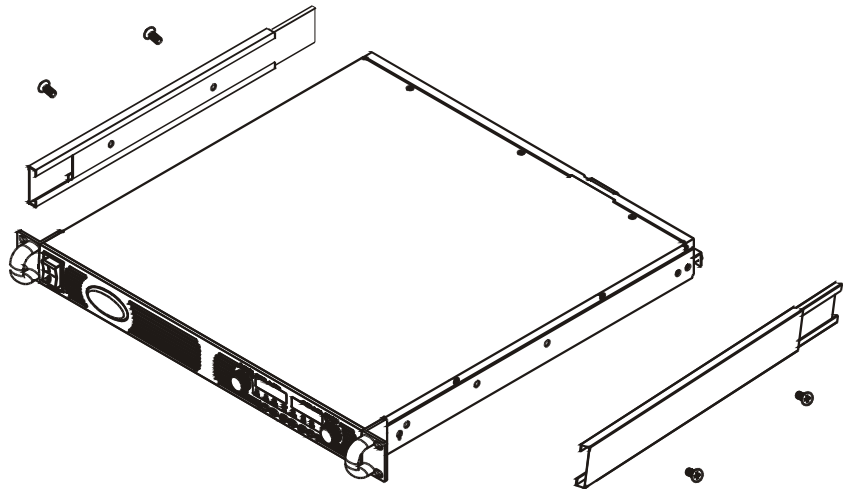
CAUTION

Ensure that the screws used to attach the rack slide kit do not penetrate more than 6 mm into the sides of the unit.

Do not block the air intake at the front, or the exhaust at the rear of the unit.

The Keysight N5700 power supplies can be mounted in a standard 19-inch rack panel or cabinet. They are designed to fit in one rack unit (1U) of space. To install the power supply in a rack:

1. Use the front panel rack-mount brackets to install the power supply in the rack.
2. Use a support bracket to provide adequate support for the rear of the power supply.
3. If using rack mount slides, use Keysight N5740A Rack-mount Slide Kit to install the unit in a standard 19-inch equipment rack. Refer to the following figure for assembly instructions. Use two #10-32 x 3/8 in (max.) screws at each side. To prevent internal damage, use the specified screw length only.



Cleaning

WARNING

SHOCK HAZARD To prevent electric shock, unplug the unit before cleaning.

Use a dry cloth or one slightly dampened with water to clean the external case parts. Do not attempt to clean internally.