

# Keysight N2133A 1000 X-Series Oscilloscope Rack Mount Kit

Installation  
Guide

# Notices

© Keysight Technologies, Inc. 2011, 2014, 2016

No part of this manual may be reproduced in any form or by any means (including electronic storage and retrieval or translation into a foreign language) without prior agreement and written consent from Keysight Technologies, Inc. as governed by United States and international copyright laws.

## Manual Part Number

N2133-97000

## Edition

First edition, November 2016

Printed in Malaysia

Published by:  
Keysight Technologies, Inc.  
1900 Garden of the Gods Road  
Colorado Springs, CO 80907 USA

## Warranty

The material contained in this document is provided “as is,” and is subject to being changed, without notice, in future editions. Further, to the maximum extent permitted by applicable law, Keysight disclaims all warranties, either express or implied, with regard to this manual and any information contained herein, including but not limited to the implied warranties of merchantability and fitness for a particular purpose. Keysight shall not be liable for errors or for incidental or consequential damages in connection with the furnishing, use, or performance of this document or of any information contained herein. Should Keysight and the user have a separate written agreement with warranty terms covering the material in this document that conflict with these terms, the warranty terms in the separate agreement shall control.

## Technology Licenses

The hardware and/or software described in this document are furnished under a license and may be used or copied only in accordance with the terms of such license.

## U.S. Government Rights

The Software is "commercial computer software," as defined by Federal Acquisition Regulation ("FAR") 2.101. Pursuant to FAR 12.212 and 27.405-3 and Department of Defense FAR Supplement ("DFARS") 227.7202, the U.S. government acquires commercial computer software under the same terms by which the software is customarily provided to the public. Accordingly, Keysight provides the Software to U.S. government customers under its standard commercial license, which is embodied in its End User License Agreement (EULA), a copy of which can be found at [www.keysight.com/find/sweula](http://www.keysight.com/find/sweula). The license set forth in the EULA represents the exclusive authority by which the U.S. government may use, modify, distribute, or disclose the Software. The EULA and the license set forth therein, does not require or permit, among other things, that Keysight: (1) Furnish technical information related to commercial computer software or commercial computer software documentation that is not customarily provided to the public; or (2) Relinquish to, or otherwise provide, the government rights in excess of these rights customarily provided to the public to use, modify, reproduce, release, perform, display, or disclose commercial computer software or commercial computer software documentation. No additional government requirements beyond those set forth in the EULA shall apply, except to the extent that those terms, rights, or licenses are explicitly required from all providers of commercial computer software pursuant to the FAR and the DFARS and are set forth specifically in writing elsewhere in the EULA. Keysight shall be under no obligation to update, revise or

otherwise modify the Software. With respect to any technical data as defined by FAR 2.101, pursuant to FAR 12.211 and 27.404.2 and DFARS 227.7102, the U.S. government acquires no greater than Limited Rights as defined in FAR 27.401 or DFAR 227.7103-5 (c), as applicable in any technical data.

## Safety Notices

### CAUTION

A **CAUTION** notice denotes a hazard. It calls attention to an operating procedure, practice, or the like that, if not correctly performed or adhered to, could result in damage to the product or loss of important data. Do not proceed beyond a **CAUTION** notice until the indicated conditions are fully understood and met.

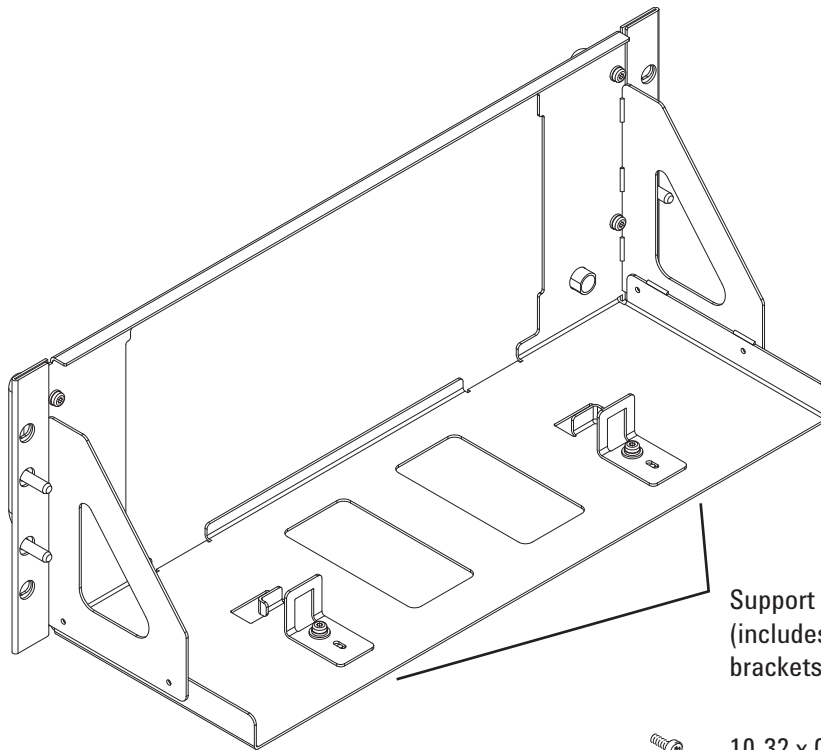
### WARNING

A **WARNING** notice denotes a hazard. It calls attention to an operating procedure, practice, or the like that, if not correctly performed or adhered to, could result in personal injury or death. Do not proceed beyond a **WARNING** notice until the indicated conditions are fully understood and met.

## In This Guide...

This guide contains instructions for installing the 1000 X-Series Oscilloscope Rack Mount Kit. The rack mount kit provides a support shelf and hardware for mounting Keysight 1000 X-Series oscilloscopes into Electronic Industries Association (EIA) standard 19-inch (487-mm) rack cabinets.

The rackmount kit includes the following parts:



**Support shelf assembly (1)**  
(includes pair of retaining  
brackets for oscilloscope)

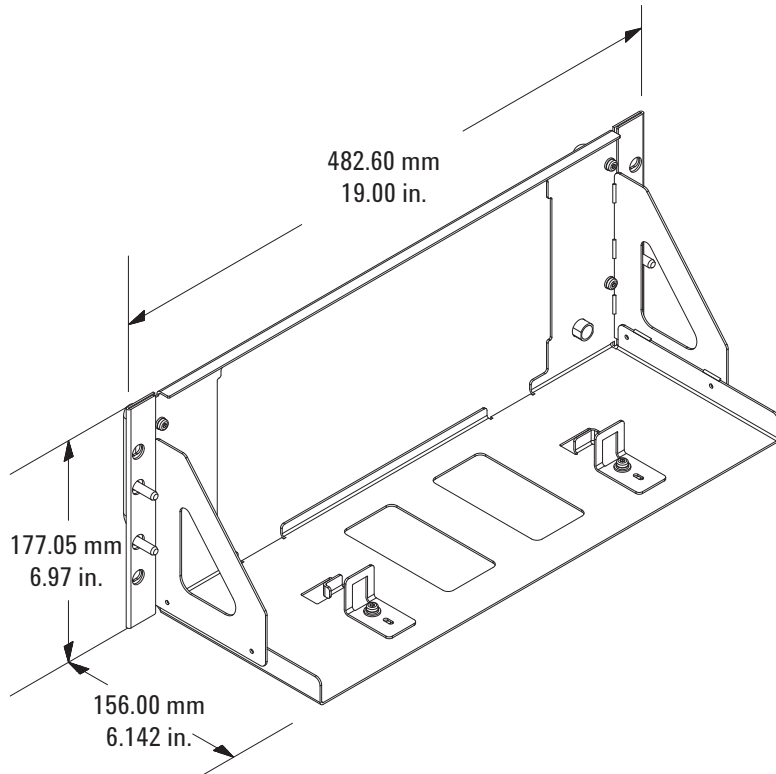


**10-32 x 0.625 Phillips dress screw (4)**



**Sheet metal nut (4)**

Here are the dimensions of the support shelf.



# Installation

Prepare the support shelf **6**

Attach the oscilloscope to the support shelf **7**

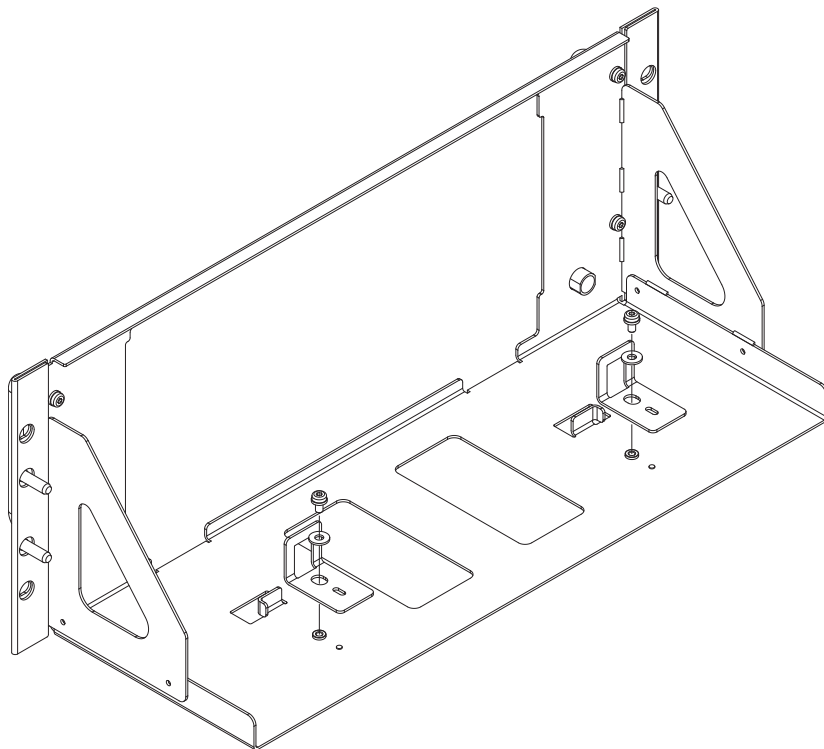
Install the support shelf **9**

You need the following tools to install the rackmount kit:

- T20 TORX driver.
- #2 Phillips screwdriver.

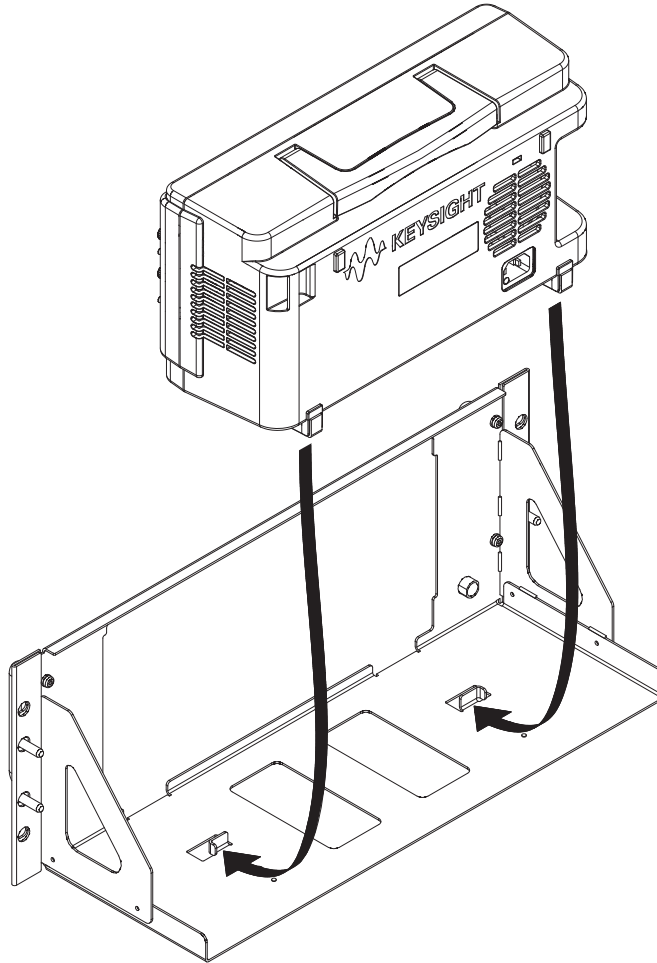
## Prepare the support shelf

- 1 Remove the screws and washers that secure the two retaining brackets. Set the screws, washers, and brackets aside.



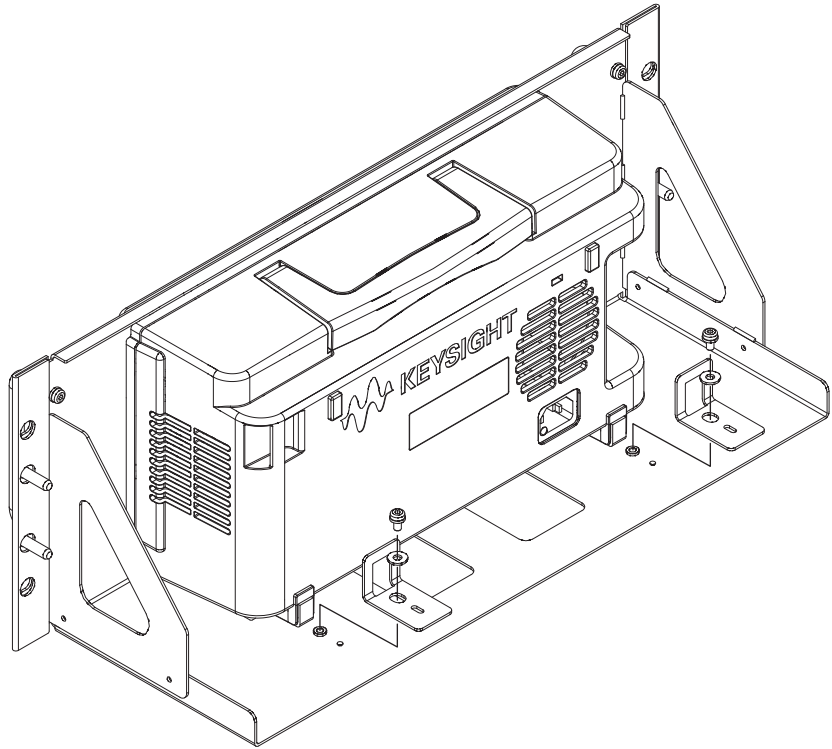
## Attach the oscilloscope to the support shelf

- 1 Place the oscilloscope on the support shelf. Slightly raise the rear of the oscilloscope and slide it fully forward until it stops.



- 2 Push the oscilloscope fully forward on the support shelf assembly.

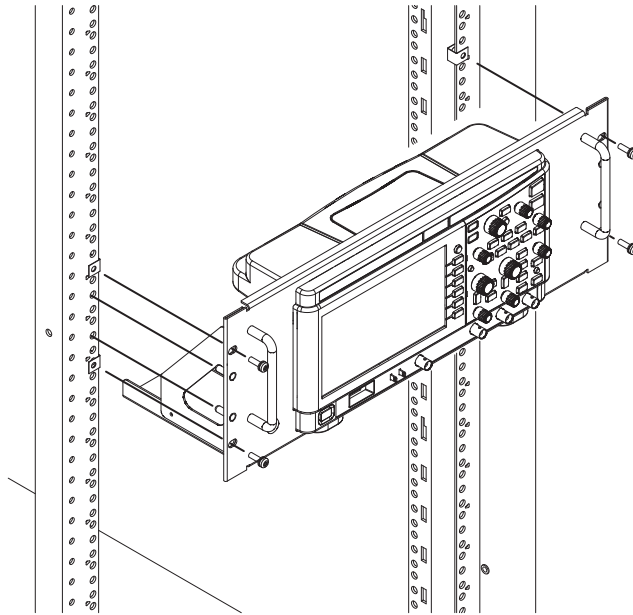
- 3** Install the two retaining brackets and washers that you previously removed:
  - a** Push the brackets fully forward until they stop against the oscilloscope's rear feet.
  - b** Secure each bracket using the screw and washer you previously removed.





## Install the support shelf

- 1 Place the four sheet metal nuts at their proper locations in the rack front.
- 2 Hold the support shelf using the front handles, and using the support shelf guide pins, slide the support shelf into the rack cabinet.



- 3 Fasten the support shelf to the rack cabinet using four 10-32 dress screws. This completes the installation.

# 1 Installation



This information is subject to change without notice.

© Keysight Technologies, Inc. 2011, 2014, 2016

Printed in Malaysia  
First edition, November 2016



N2133-97000

[www.keysight.com](http://www.keysight.com)

