

Keysight Technologies
33391C Microwave Insulator
(Bead) Assembly

Data Sheet

Features and Description

- Temperature stable
- Broadband coverage from DC to 18 GHz
- Low signal loss
- Excellent reflection coefficient
- Low-cost alternative for 7 mm Type N and APC-7 connectors

The 33391C Insulator Bead Assemblies are designed to provide excellent performance from DC to 18 GHz in both type N and APC-7 connectors.

Unlike traditional insulator materials such as Teflon, the unique material composition of the 33391C ensures mechanical stability and electrical specification adherence throughout a wide operating temperature range.

The excellent performance specifications as well as the rugged design make these insulator bead assemblies ideal for OEM and replacement part applications.

The 33391C's are packaged in quantities of 50 per container, allowing for convenient ordering sizes.

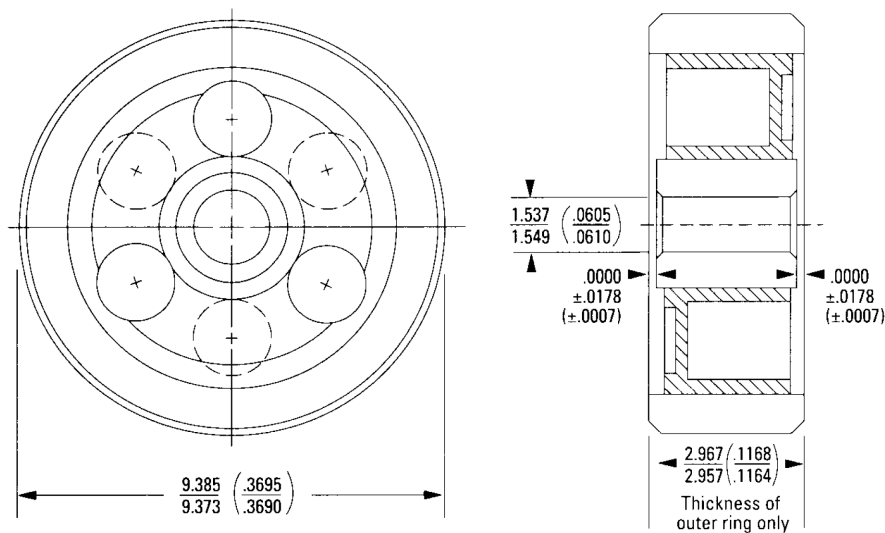


Figure 1. Part dimensions in millimeters and (inches)

Specifications

Frequency range: DC to 18 GHz

SWR (typical): 1.004 from DC to 2 GHz, 1.004 + 0.0009 GHz, above 2 GHz, from 2 to 18 GHz

Inner/outer ring coplanarity:
 ± 0.0178 mm (± 0.0007 inches)
 ± 0.0127 mm (± 0.0005 inches) typical

Non-operating temperature (MIL-STD 883, Method 1010): 40° to 85 °C

Operating temperature: 0° to 55 °C

Humidity: Cycling five days, 40 °C at 95% RH

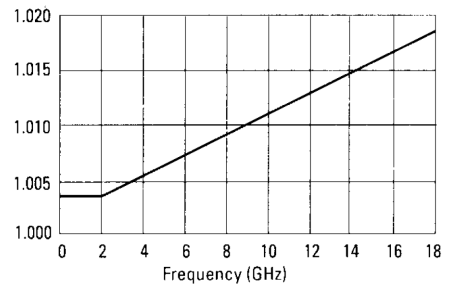


Figure 2. Typical SWR



myKeysight

www.keysight.com/find/mykeysight

A personalized view into the information most relevant to you.

www.keysight.com/go/quality

Keysight Technologies, Inc.

DEKRA Certified ISO 9001:2008

Quality Management System

Keysight Channel Partners

www.keysight.com/find/channelpartners

Get the best of both worlds: Keysight's measurement expertise and product breadth, combined with channel partner convenience.



For more information on Keysight Technologies' products, applications or services, please contact your local Keysight office. The complete list is available at: www.keysight.com/find/contactus

Americas

Canada	(877) 894 4414
Brazil	55 11 3351 7010
Mexico	001 800 254 2440
United States	(800) 829 4444

Asia Pacific

Australia	1 800 629 485
China	800 810 0189
Hong Kong	800 938 693
India	0124 229 2010
Japan	0120 (421) 345
Korea	080 769 0800
Malaysia	1 800 888 848
Singapore	1 800 375 8100
Taiwan	0800 047 866
Other AP Countries	(65) 6375 8100

Europe & Middle East

Austria	0800 001122
Belgium	0800 58580
Finland	0800 523252
France	0805 980333
Germany	0800 6270999
Ireland	1800 832700
Israel	1 809 343051
Italy	800 599100
Luxembourg	+32 800 58580
Netherlands	0800 0233200
Russia	8800 5009286
Spain	800 000154
Sweden	0200 882255
Switzerland	0800 805353
	Opt. 1 (DE)
	Opt. 2 (FR)
	Opt. 3 (IT)
United Kingdom	0800 0260637

For other unlisted countries:
www.keysight.com/find/contactus
(BP-02-06-15)

