



177.0H RACK MOUNT KIT WITH FRONT HANDLES

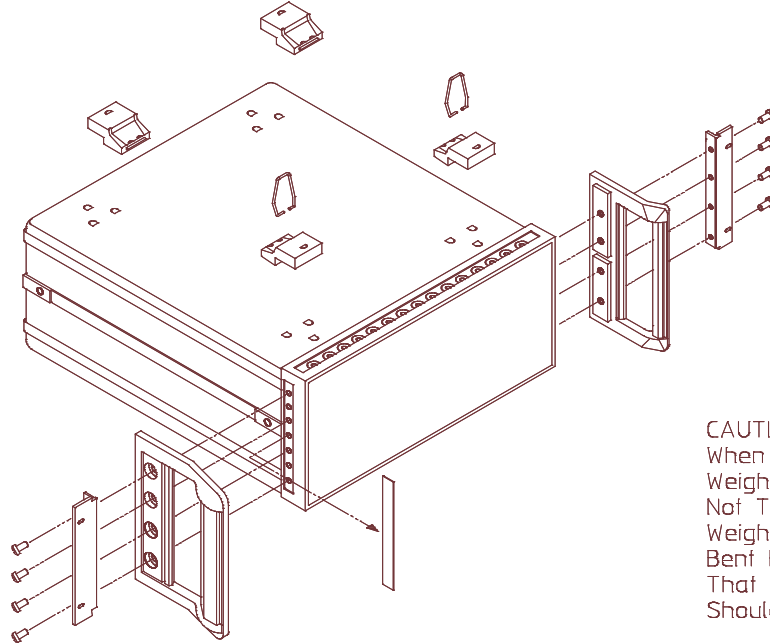
(PRODUCT HT.177.0mm/6.969in)

AGILENT PART NUMBER 5063-9222 (OPTION 909)

SYSTEM II PALLET 2000

CONTENTS

QTY.		PART NO.
2	...RACK MOUNT FLANGE	5022-2807
2	...FRONT HANDLE ASSEMBLY	5063-9203
8	...M4 X 0.7 X 16 SCREW,PAN HEAD	0515-1106
4	...DRESS SCREW	0570-1577
4	...NUT-SHMET	0590-0804



CAUTION: Use Two (2) Handles When Lifting Units That Weigh Over 18.2kg (40lbs). Not To Be Used On Units Weighing Over 36.4kg (80lbs). Bent Handles Indicate Units That Have Been Dropped And Should Be Replaced.

CAUTION: THIS KIT CONTAINS ONLY METRIC HARDWARE. IF INCH HARDWARE IS NEEDED ORDER INCH HARDWARE KIT #5062-4078. INSTRUMENTS WITH METRIC CABINETS HAVE THE WORD "METRIC" CAST ON TOP OF THE FRONT FRAME (UNDER THE TRIM).

INSTRUCTIONS

1. REMOVE SIDE TRIM STRIPS.
2. ATTACH RACK MOUNT FLANGE WITH 4 SCREWS PER SIDE.
3. REMOVE FEET AND TILT STANDS BEFORE RACK MOUNTING.

MADE IN USA OF DOMESTIC AND FOREIGN COMPONENTS 12-95
INSTRUCTION SHEET NO. 5182-1217

5063-9222

