

JBC

www.jbctools.com

P&P
Guide



DDSE 2-Tool Rework Station

Ref.

DDSE-9QF (100 V)

DDSE-1QF (120 V)

DDSE-2QF (230 V)

Information

Web page of the latest
product version



Video Guide

Watch the
product video



Packing List

The following items are included according purchased station reference:



DDE
2-Tool Control Unit 1 unit
 Ref. DDE-9D (100 V)
 Ref. DDE-1D (120 V)
 Ref. DDE-2D (230 V)

T245
General Purpose Handle 1 unit
 Ref. T245-A

DR560
Desoldering Iron 1 unit
 Ref. DR560-A



MSE
Electric Desoldering Module 1 unit
 Ref. MSE-B

ADS
Stand for T210 & T245 Handles 1 unit
 Ref. AD-SF

DRS
Stand for DR560 1 unit
 Ref. DR-SF



SCH
Cartridge Holder 1 unit
 Ref. SCH-A

Installation

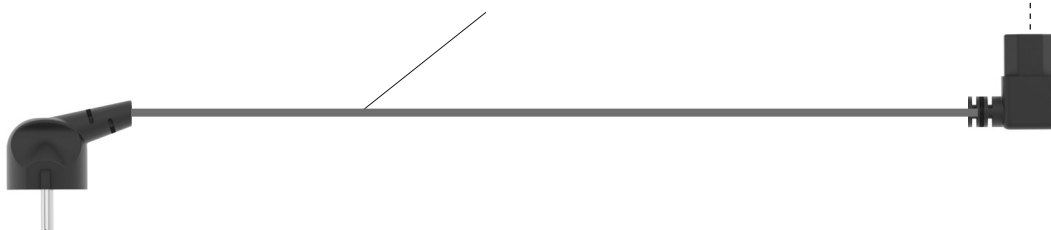
MSE
 Electric Desoldering Module



To the mains

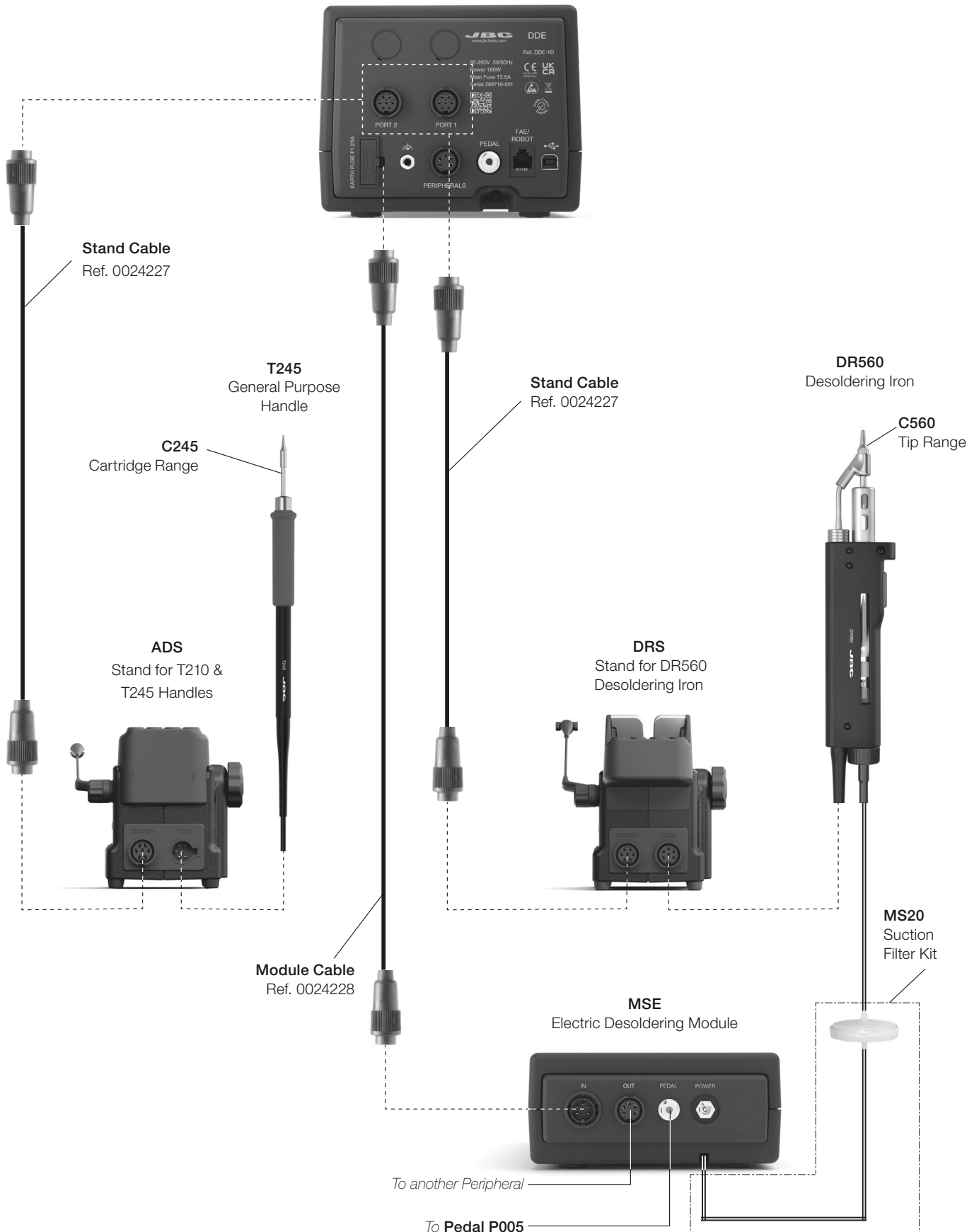
Power Cord
 Included in DDE Control Unit

DDE
 2-Tool Control Unit



Installation

DDE
2-Tool Control Unit



Specifications

DDSE

2-Tool Rework Station

Ref. **DDSE-9QF** (100 V)

Ref. **DDSE-1QF** (120 V)

Ref. **DDSE-2QF** (230 V)

- Package Dimensions / Weight: 425 x 360 x 433 mm / 11.50 kg
(L x H x W) 16.73 x 14.17 x 17.05 in / 25.35 lb

Complies with CE standards.

ESD safe.

JBC

Warranty

Information regarding the warranty of each product can be found on the final page of its instruction manual.



This product should not be thrown in the garbage.

In accordance with the European directive 2012/19/EU, electronic equipment at the end of its life must be collected and returned to an authorized recycling facility.