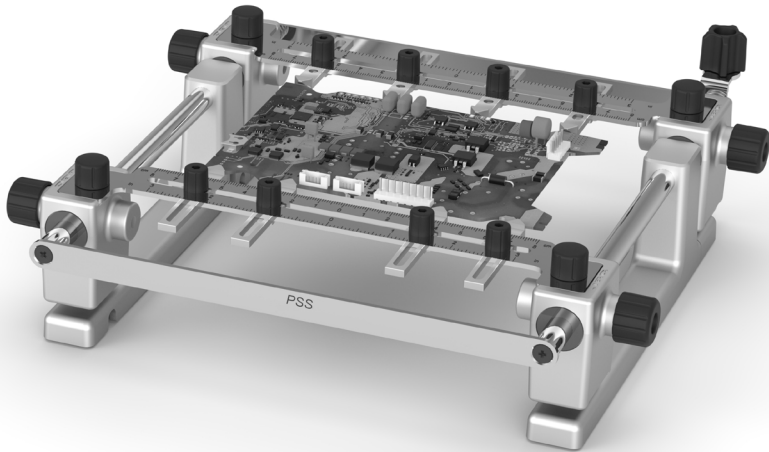


JBC

www.jbctools.com

INSTRUCTION MANUAL



PSS

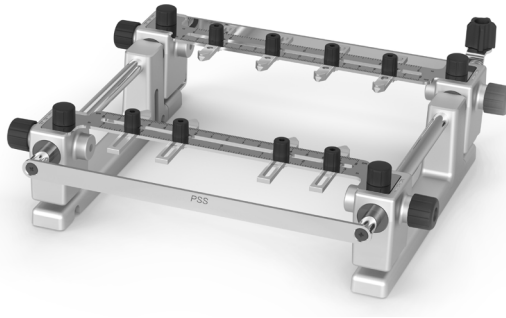
Small PCB Support

This manual corresponds to the following reference:

PHS-SA

Packing List

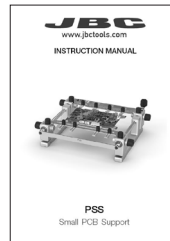
The following items are included:



Small PCB Support 1 unit

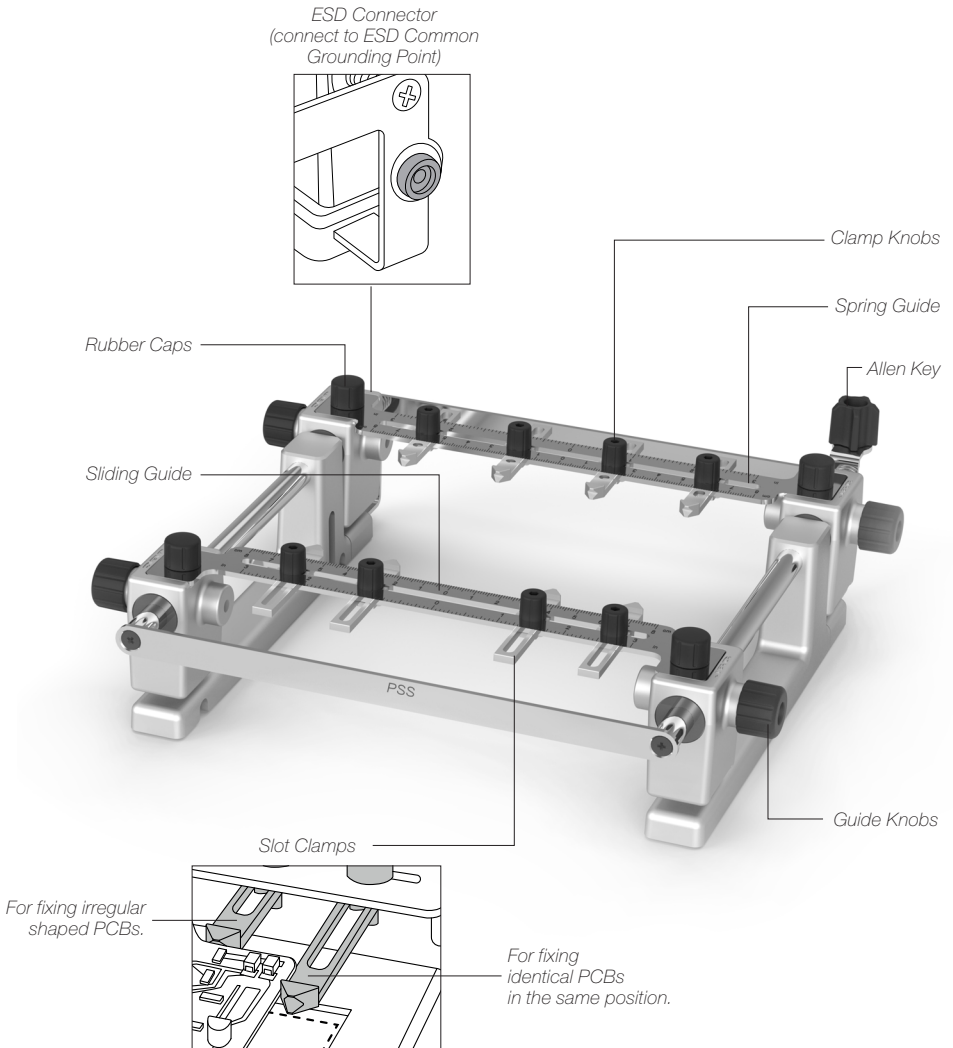


Allen key 1 unit
Ref. 0013754



Manual 1 unit
Ref. 0026994

Features and Connections

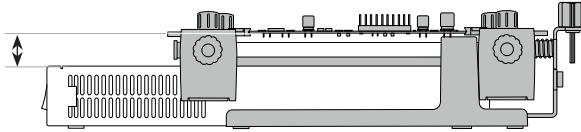


Height Adjustment

The Small PCB Support allows adjustment for **3 heights** between the PCB and the Heating Area of the Preheater Unit.

Low level

22 mm /
0.87 in

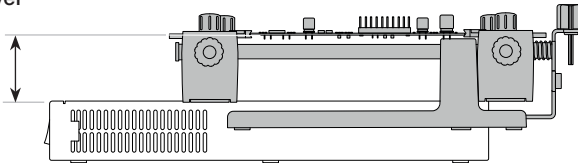


Unscrew these knobs to place the support in the lowest level



Medium level

45 mm /
1.77 in

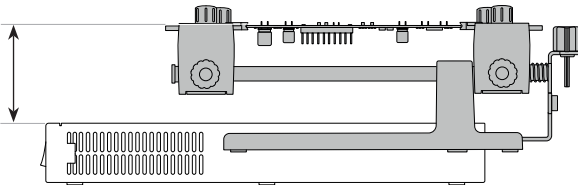


Use the fixing brackets to place the support in the medium and the high level

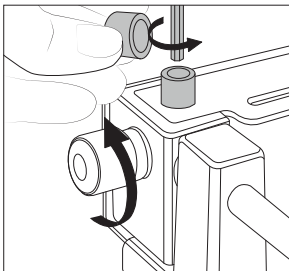


High level

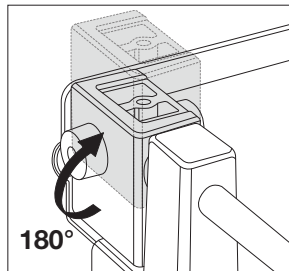
65 mm /
2.56 in



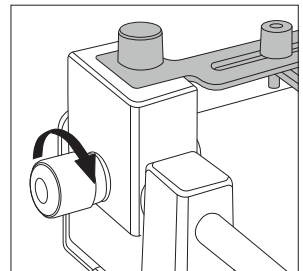
To change the height to the highest level, proceed as follows:



1. Remove the 4 clamp knobs and the 4 black rubber caps.



2. After removing both guides, turn 180° the guide supports.



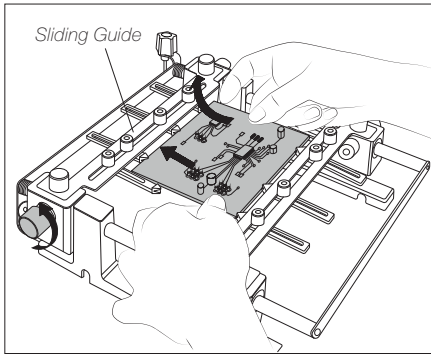
3. Place the guides, the rubber cups and adjust the sliding clamp knobs again.

Fast PCB Replacement

The Small PCB Support lets you replace PCBs of the same batch fast and easily. Use the sliding guides to change the PCBs.

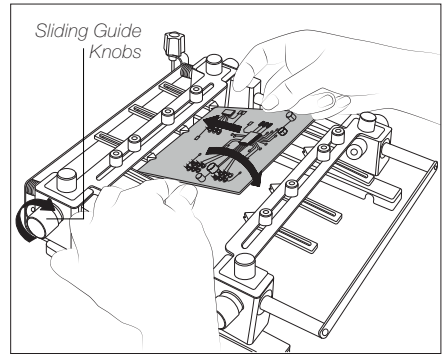
Removing the PCB

Loosen one sliding guide, push the PCB against the sliding guide and lift out.

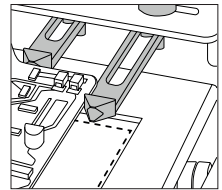


Placing another PCB

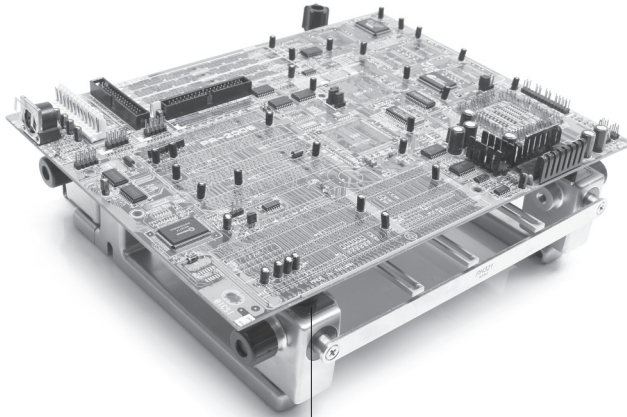
Position it and tighten the sliding guide knobs.



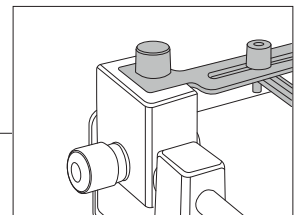
Adjustable slot clamps for PCB fixation.



Reworking large PCBs



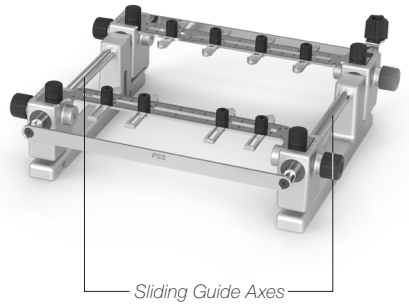
Place large PCBs on the 4 rubber caps



Maintenance

Before carrying out maintenance or storage, always allow the support to cool down.

- Check periodically that the Support is clean, especially the axes of the sliding guide.
- Use a damp cloth when cleaning. Alcohol can only be used to clean the metal parts
- Replace any defective or damaged piece. Use original JBC spare parts only.
- Repairs should only be performed by a JBC authorized technical service.



Safety



It is imperative to follow safety guidelines to prevent electric shock, injury, fire or explosion.

- The temperature of accessible surfaces may remain high after the unit is turned off. Handle with care.
- Be careful with the remains of liquid tin. In contact with skin, it can cause burns.
- Avoid flux coming into contact with skin or eyes to prevent irritation.
- Be careful with the smoke produced when soldering.
- Keep your workplace clean and tidy. Wear appropriate protection glasses and gloves when working to avoid personal harm.
- This appliance can be used by children over the age of eight as well as persons with reduced physical, sensory or mental capabilities or lacking experience provided that they have been given adequate supervision or instruction concerning use of the appliance and understand the hazards involved. Children must not play with the appliance.
- Maintenance must not be carried out by children unless supervised.

Specifications

PSS

Small PCB Support

Ref. **PHS-SA**

- Total Net Weight:	2 kg / 4.4 lb
- Dimensions (Low Position): (L x W x H)	267 x 259 x 75 mm 10.5 x 10.2 x 3 in
- Dimensions (High Position): (L x W x H)	267 x 259 x 96 mm 10.5 x 10.2 x 3.8 in
- Max. PCB Dimension (Low Position):	180 x 175 mm / 7.09 x 6.89 in
- Maximum PCB thickness:	6 mm / 0.236 in
- Total Package Dimensions / Weight: (L x W x H)	368 x 368 x 125 mm / 2.7 kg 14.49 x 14.49 x 4.92 / 5.95 lb

Complies with CE standards.

ESD safe.

JBC

Warranty

JBC's 2 year warranty covers this equipment against all manufacturing defects, including the replacement of defective parts and labour. Warranty does not cover product wear or misuse. In order for the warranty to be valid, equipment must be returned, postage paid, to the dealer where it was purchased. Please register your product warranty within 30 days of purchase in www.jbctools.com/productregistration.



This product should not be thrown in the garbage.

In accordance with the European directive 2002/96/EC, electronic equipment at the end of its life must be collected and returned to an authorized recycling facility.

