

JBC

www.jbctools.com

INSTRUCTION MANUAL



GSF

Guide Kits for SF280

This manual corresponds to the following references:

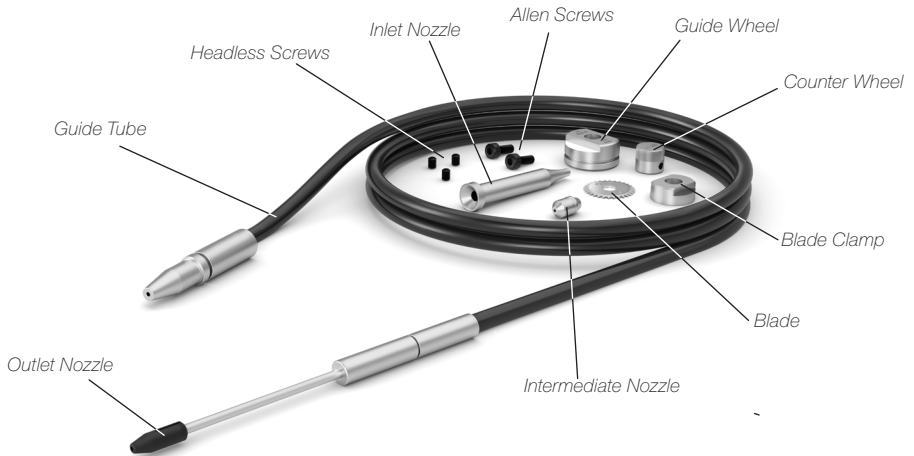
With Solder Wire Perforation:

- GSF08V-B** for wire Ø 0.8 mm / Ø 0.032 in
- GSF10V-B** for wire Ø 1.0 mm / Ø 0.040 in
- GSF12V-B** for wire Ø 1.2 mm / Ø 0.047 in
- GSF15V-B** for wire Ø 1.5 mm / Ø 0.059 in
- GSF16V-B** for wire Ø 1.6 mm / Ø 0.063 in

Without Solder Wire Perforation:

- GSF04D-B** for wire Ø 0.38 - 0.40 mm / Ø 0.015 - 0.016 in
- GSF05D-B** for wire Ø 0.46 - 0.56 mm / Ø 0.018 - 0.022 in
- GSF06D-B** for wire Ø 0.60 - 0.64 mm / Ø 0.023 - 0.025 in
- GSF07D-B** for wire Ø 0.70 - 0.78 mm / Ø 0.028 - 0.031 in
- GSF08D-B** for wire Ø 0.80 - 0.82 mm / Ø 0.032 - 0.033 in
- GSF10D-B** for wire Ø 0.90 - 1.10 mm / Ø 0.036 - 0.044 in
- GSF12D-B** for wire Ø 1.14 - 1.27 mm / Ø 0.045 - 0.051 in
- GSF15D-B** for wire Ø 1.50 - 1.57 mm / Ø 0.060 - 0.062 in
- GSF16D-B** for wire Ø 1.60 - 1.63 mm / Ø 0.063 - 0.065 in
- GSF18D-B** for wire Ø 1.80 mm / Ø 0.073 in

GSF Guide Kit for SF280 with Solder Wire Perforation



Packing List

The following items are included:

Guide Tube*	1 unit
Inlet Nozzle*	1 unit
Guide Wheel*	1 unit
Counter Wheel*	1 unit
Blade Clamp*	1 unit
Blade*	1 unit
Intermediate Nozzle*	1 unit
Outlet Nozzle*	1 unit

Allen Screws*	2 units
Headless Screws*	3 units

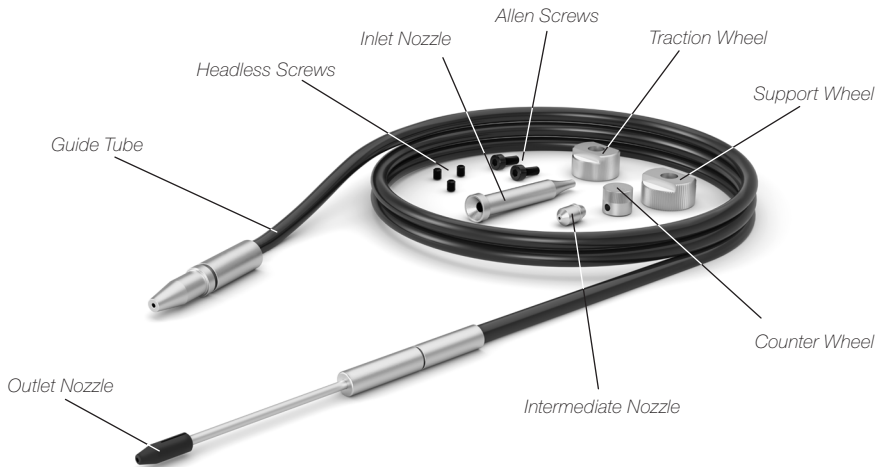


Manual	1 unit
---------------------	--------

*references see table on page 4

Ref. 0028099

GSF Guide Kit for SF280 without Solder Wire Perforation



Packing List

The following items are included:

Guide Tube*	1 unit	Allen Screws*	2 units
Inlet Nozzle*	1 unit	Headless Screws*	3 units
Traction Wheel*	1 unit		
Support Wheel*	1 unit		
Counter Wheel*	1 unit		
Intermediate Nozzle*	1 unit		
Outlet Nozzle*	1 unit	Manual	1 unit



Ref. 0028099

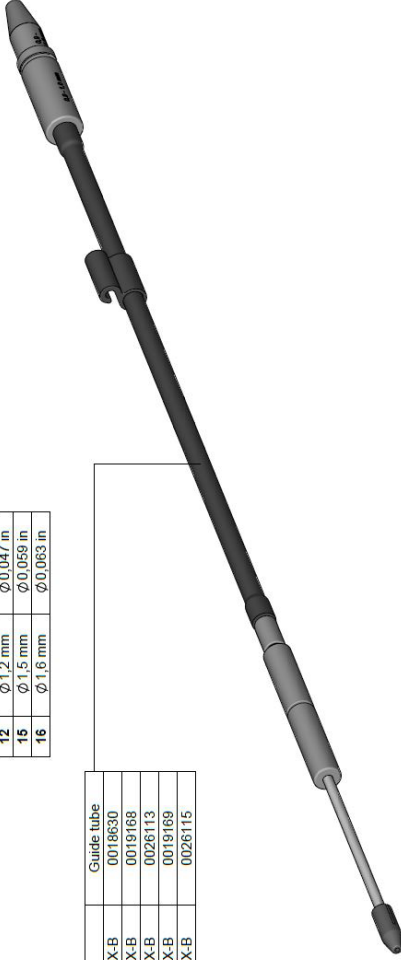
*references see table on page 5

GSF Guide Kit for SF280 with Solder Wire Perforation

GSFXXV-B WITH SOLDER WIRE PERFORATION

XX	Wire diameter	
	Diameter of use	
08	Ø0.8 mm	Ø0.032 in
10	Ø1.0 mm	Ø0.040 in
12	Ø1.2 mm	Ø0.047 in
15	Ø1.5 mm	Ø0.059 in
16	Ø1.6 mm	Ø0.063 in

Guide tube
GSF08X-B
GSF10X-B
GSF12X-B
GSF15X-B
GSF16X-B

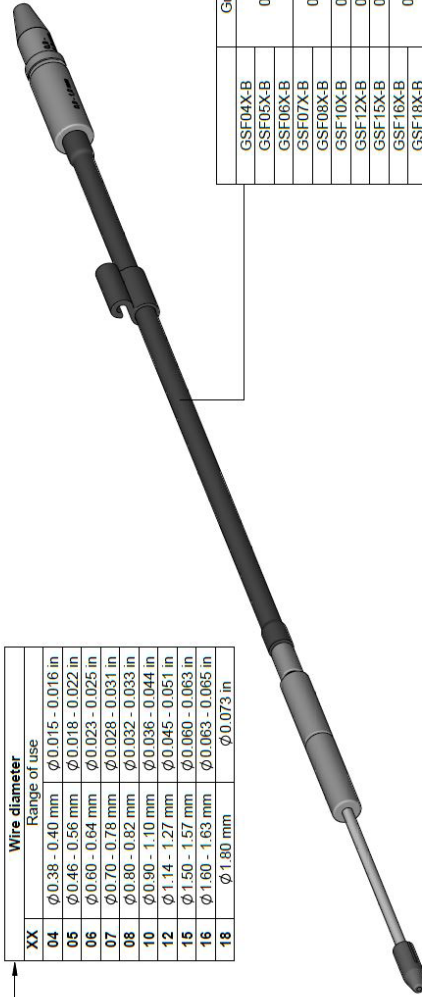


SPARE PARTS

Wire Ø	Outlet nozzle	Nozzle	Guide wheel	Blade	Blade clamp	Inlet nozzle	Intern. nozzle	Counter wheel	Screws	Threaded stud
GSF08V-B	0025270	0021158	0021696	0021555	0018638	0018632	0024955	0026683 (Supplied with SF)	0026685 (x2)	0026696 (x3)
GSF10V-B	0021580		0021699			0019170	0024956			
GSF12V-B	0025272		0023738			0019171	0024957			
GSF15V-B	0025274		0019696			0024233	0024958			
GSF16V-B	0025276		0025922				0024959			

GSF Guide Kit for SF280 without Solder Wire Perforation

GSFXXD-B WITHOUT SOLDER WIRE PERFORATION



XX	Wire diameter
	Range of use
04	Ø 0.38 - 0.40 mm Ø 0.015 - 0.016 in
05	Ø 0.46 - 0.56 mm Ø 0.018 - 0.022 in
06	Ø 0.60 - 0.64 mm Ø 0.023 - 0.025 in
07	Ø 0.70 - 0.78 mm Ø 0.028 - 0.031 in
08	Ø 0.80 - 0.82 mm Ø 0.032 - 0.033 in
10	Ø 0.90 - 1.10 mm Ø 0.036 - 0.044 in
12	Ø 1.14 - 1.27 mm Ø 0.045 - 0.051 in
15	Ø 1.50 - 1.57 mm Ø 0.060 - 0.063 in
16	Ø 1.60 - 1.63 mm Ø 0.063 - 0.065 in
18	Ø 1.80 mm Ø 0.073 in

Guide tube
GSF04X-B
GSF05X-B
GSF06X-B
GSF07X-B
GSF08X-B
GSF10X-B
GSF12X-B
GSF15X-B
GSF16X-B
GSF18X-B

SPARE PARTS

Wire Ø	Outlet nozzle	Nozzle	Traction wheel	Support wheel	Inlet nozzle	Intern. nozzle	Counter wheel	Screws	Threaded stud
GSF04D-B									
GSF05D-B	0025268			0020345	0019520	0024954	0026693	0026695 (A2)	0026696 (A3)
GSF06D-B	0022994			0019519		0025293	0026693 (Supplied with SF)	0026695 (A2)	0026696 (A3)
GSF07D-B	0025289			0019480		0025291			
GSF08D-B	0025270			0019481	0018632	0024955	0026694		
GSF10D-B	0021560	0021168	0019479	0019170		0024956			
GSF12D-B	0025272			0019171	0019170	0024957			
GSF15D-B	0025274			0019481	0019171	0024958			
GSF16D-B	0025276			0028367	0024233	0024959			
GSF18D-B	0021559				0024234	0024960			

Changing Guide Kits

Changing Wheels and Blade

For this operation, disconnect the device from the mains. Disconnect the tool from the control unit and open its cover.

First disassemble the guide tube (6), the nozzles (2)+(3), then the wheels, blade and clamp (4)+(5). Disassemble the counter wheel (1). Use the allen key and the spanner, provided with the station.

Assembly with Solder Wire Perforation:

Assemble the counter wheel (1).

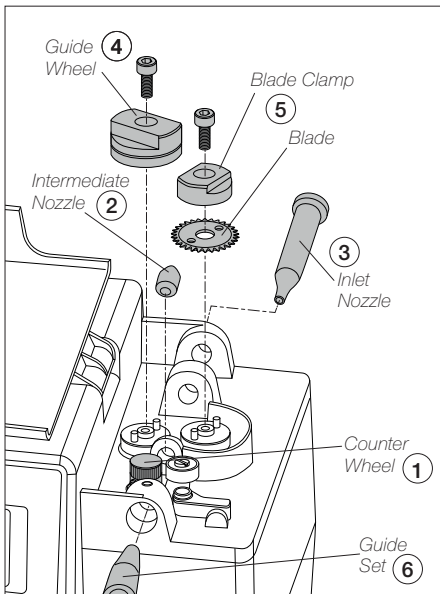
Insert the intermediate nozzle (2) until its collar rests against the housing and tighten the screw.

Assemble the inlet nozzle (3).

Assemble the guide wheel (4) and tighten the screw.

Assemble the blade first, then mount the blade clamp (5) onto the same axis and tighten the screw. **Caution:** handle the blade carefully to avoid injury.

Insert the guide set (6).



Assembly without Solder Wire Perforation:

Assemble the counter wheel (1).

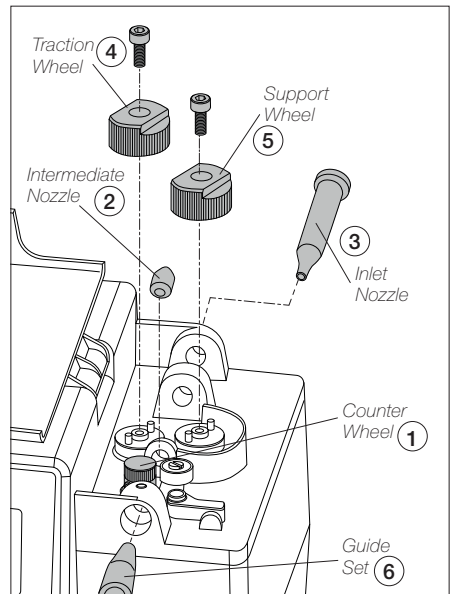
Insert the intermediate nozzle (2) until its collar rests against the housing and tighten the screw.

Assemble the inlet nozzle (3).

Assemble the traction wheel (4) onto the axis and tighten the screw.

Assemble the support wheel (5) and tighten the screw.

Insert the guide set (6).



Replacing the Guide Tube

Once the tool is disconnected from the control unit follow the instructions below:

Disassemble the outlet nozzle (1) from the guide tube.

Open the guide clamp (2), take off the guide tube (3) and insert the new one.

Note: The guide tube length can be easily adjusted (4) when the guide clamp knob (2) is open.

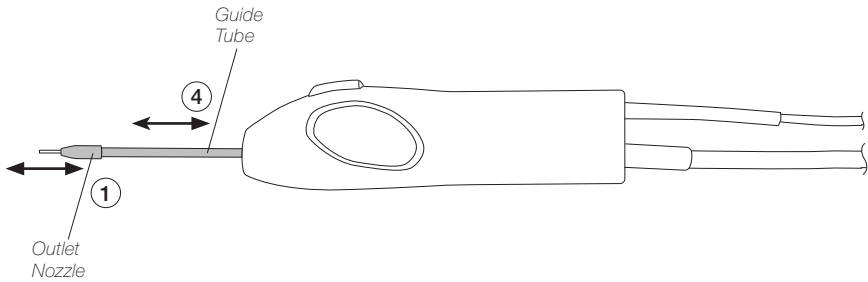
Once the guide tube length is adjusted close the guide clamp knob (2).

Assemble the outlet nozzle (1) onto the guide tube tip.

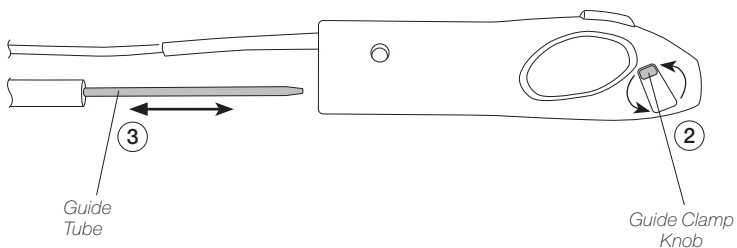
Enter en "Tool Settings" at the SF control unit main menu and select the proper wire diameter.



SF with Guide Tube assembled



SF with no Guide Tube assembled

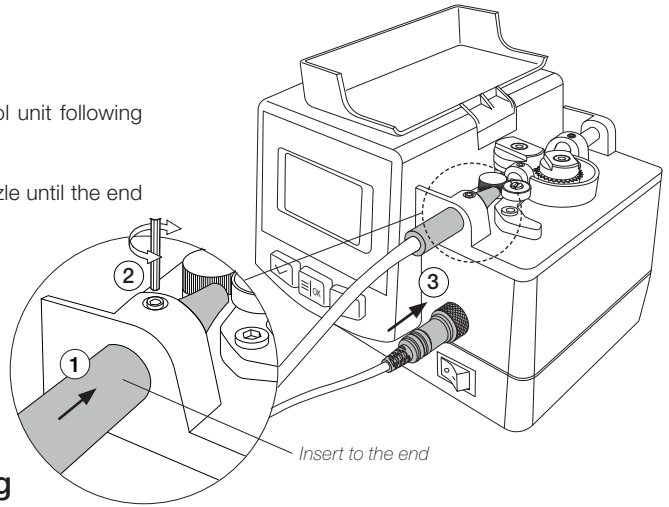


Tool Assembly

Connect the tool to the control unit following this steps:

Insert and push the guide nozzle until the end (1) and tighten the screw (2).

Connect the jack (3).

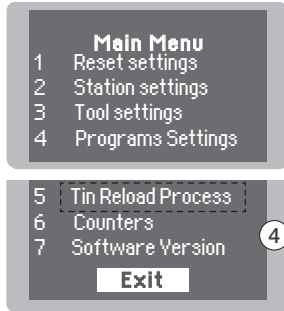



Solder Wire Loading

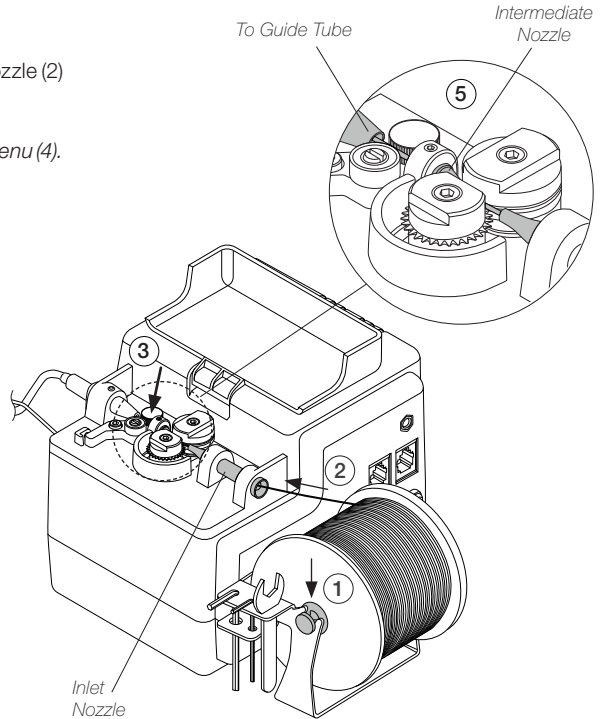
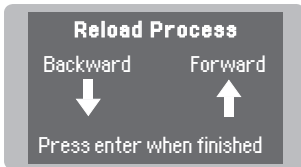
Put the solder reel into its support (1).

Introduce the solder wire into the inlet nozzle (2) until it reaches the wheels (3).

Use the *Tin Reload Process* in the *Main Menu* (4).



The Reload Process screen opens. Press  to start the process.



Make sure the wire passes through the Intermediate Nozzle and enters into the Guide Tube (5).

Notes

Specifications

GSF

Guide Kits for SF280

With Perforation:

Ref.: **GSF08V-B** wire \varnothing 0.8 mm / \varnothing 0.032 in
 Ref.: **GSF10V-B** wire \varnothing 1.0 mm / \varnothing 0.040 in
 Ref.: **GSF12V-B** wire \varnothing 1.2 mm / \varnothing 0.047 in
 Ref.: **GSF15V-B** wire \varnothing 1.5 mm / \varnothing 0.059 in
 Ref.: **GSF16V-B** wire \varnothing 1.6 mm / \varnothing 0.063 in

	Total Net Weight:	Package Weight:
Ref.: GSF08V-B wire \varnothing 0.8 mm / \varnothing 0.032 in	108 g / 0.24 lb	200 g / 0.44 lb
Ref.: GSF10V-B wire \varnothing 1.0 mm / \varnothing 0.040 in	108 g / 0.24 lb	200 g / 0.44 lb
Ref.: GSF12V-B wire \varnothing 1.2 mm / \varnothing 0.047 in	94 g / 0.21 lb	186 g / 0.41 lb
Ref.: GSF15V-B wire \varnothing 1.5 mm / \varnothing 0.059 in	94 g / 0.21 lb	186 g / 0.41 lb
Ref.: GSF16V-B wire \varnothing 1.6 mm / \varnothing 0.063 in	94 g / 0.21 lb	186 g / 0.41 lb
Without Perforation:		
GSF04D-B for wire \varnothing 0.38 - 0.40 mm / \varnothing 0.015 - 0.016 in	104 g / 0.23 lb	196 g / 0.43 lb
GSF05D-B for wire \varnothing 0.46 - 0.56 mm / \varnothing 0.018 - 0.022 in	104 g / 0.23 lb	196 g / 0.43 lb
GSF06D-B for wire \varnothing 0.60 - 0.64 mm / \varnothing 0.023 - 0.025 in	104 g / 0.23 lb	196 g / 0.43 lb
GSF07D-B for wire \varnothing 0.70 - 0.78 mm / \varnothing 0.028 - 0.031 in	104 g / 0.23 lb	196 g / 0.43 lb
GSF08D-B for wire \varnothing 0.80 - 0.82 mm / \varnothing 0.032 - 0.033 in	104 g / 0.23 lb	196 g / 0.43 lb
GSF10D-B for wire \varnothing 0.90 - 1.10 mm / \varnothing 0.036 - 0.044 in	90 g / 0.20 lb	182 g / 0.40 lb
GSF12D-B for wire \varnothing 1.14 - 1.27 mm / \varnothing 0.045 - 0.051 in	90 g / 0.20 lb	182 g / 0.40 lb
GSF15D-B for wire \varnothing 1.50 - 1.57 mm / \varnothing 0.060 - 0.062 in	90 g / 0.20 lb	182 g / 0.40 lb
GSF16D-B for wire \varnothing 1.60 - 1.63 mm / \varnothing 0.063 - 0.065 in	90 g / 0.20 lb	182 g / 0.40 lb
GSF18D-B for wire \varnothing 1.80 mm / \varnothing 0.073 in	90 g / 0.20 lb	182 g / 0.40 lb
- Guide Tube Length:	126 cm / 49.6 in	
- Package Dimensions: (L x W x H)	245 x 185 x 45 mm 9.65 x 7.28 x 1.77 in	
Complies with CE standards. ESD safe		

JBC

Warranty

JBC's 2 year warranty covers this equipment against all manufacturing defects, including the replacement of defective parts and labour.

Warranty does not cover product wear or misuse.

In order for the warranty to be valid, equipment must be returned, postage paid, to the dealer where it was purchased.

Get 1 extra year JBC warranty by registering here:

**<https://www.jbctools.com/productregistration/>
within 30 days of purchase.**



This product should not be thrown in the garbage.

In accordance with the European directive 2012/19/EU, electronic equipment at the end of its life must be collected and returned to an authorized recycling facility.



www.jbctools.com

0028099-080722