

Fluke i30s AC/DC Current Clamp

Technical Data



The i30s current clamp is based on Hall effect technology for use in measurement of both dc and ac current. The i30s may be used in conjunction with oscilloscopes and other suitable recording instruments for accurate non-intrusive current measurement.

Electrical specifications

Specified current range: 30 mA to 30 A DC,
30 mA to 20 A AC rms
Usable current range: 5 mA to 30 A DC,
30 mA to 20 A AC rms
Crest factor: 1.4
Output sensitivity: 100 mV/A
Accuracy (at +25 °C): $\pm 1\%$ of reading ± 2 mA
Resolution: ± 1 mA
Load impedance: > 100 k Ω
Conductor position sensitivity: $\pm 1\%$ relative to
centre reading
Frequency range: DC to 100 kHz (-0.5 dB)
Phase shift below 1 kHz: < 2 degrees
Temperature coefficient: $\pm 0.01\%$ of reading/ $^{\circ}\text{C}$
Power supply: 9 V Alkaline, MN1604/PP3,
30 hours, low battery indicator
Working voltage (see Safety Standards section):
300 V ac rms or dc

General specifications

Maximum conductor size: 19 mm (.748 in) diameter
Output connection: Safety BNC connector,
supplied with safety 4 mm (.157 in) adapter
Output zero: Manual adjust via thumbwheel
Cable length: 2 m (6.56 ft)
Operating temperature range: 0 °C to +50 °C
(-32 °F to 122 °F)
Storage temperature range (with battery removed):
-20 °C to +85 °C (-4 °F to 185 °F)
Operating humidity: 15 % to 85 % (non-condensing)
Weight: 250 g (.55 lb)

Safety standards

BS EN 61010-1: 2001
 BS EN 61010-2-032: 2002
 BS EN 61010-031: 2002

300 Vrms, Category III, Pollution Degree 2

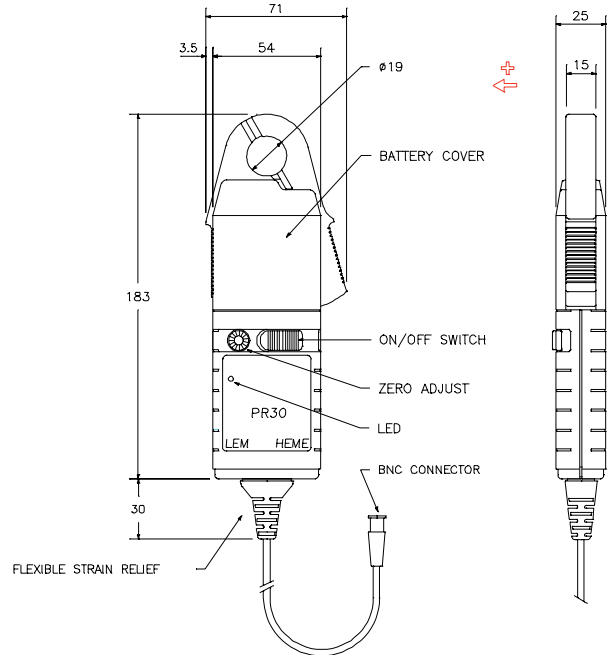
Use of the probe on uninsulated conductors is limited to 300 V acrms or dc and frequencies below 1 kHz.

EMC Standards

EN 61326: 1998 +A1, A2, & A3

Dimensions (HxWxD)

183 mm x 71 mm x 25 mm (7.2 in x 2.8 in x 1 in)



Ordering information
 i30s AC/DC Current Clamp



i30s connected to a Fluke 199C ScopeMeter.

Fluke. *Keeping your world up and running.*

Fluke Corporation

PO Box 9090, Everett, WA USA 98206

Fluke Europe B.V.
 PO Box 1186, 5602 BD
 Eindhoven, The Netherlands

For more information call:
 In the U.S.A. (800) 443-5853 or
 Fax (425) 446-5116
 In Europe/M-East/Africa +31 (0) 40 2 675 200 or
 Fax +31 (0) 40 2 675 222
 In Canada (800) 36-FLUKE or
 Fax (905) 890-6866
 From other countries +1 (425) 446-5500 or
 Fax +1 (425) 446-5116
 Web access: <http://www.fluke.com>

©2006 Fluke Corporation. All rights reserved.
 Specifications subject to change without notice.
 Printed in U.S.A. 12/2006 2747115 D-EN-N Rev B