



Thermographic Handheld Camera

Quick Start Guide

Thermographic Handheld Camera Quick Start Guide	EN	1
Guide de démarrage rapide de la caméra thermique portable	FR	7
Kurzanleitung Hand-Wärmebildkamera	DE	14
Cámara termográfica portátil. Guía de inicio rápido	ES	20
Termocamera portatile - Guida rapida	IT	27
Guia de introdução da Câmara termográfica portátil	PT	33
Snelstartgids voor thermografische handcamera	NL	40
Ruční termokamera – stručná příručka	CS	47
Startvejledning til håndholdt termisk kamera	DK	53
Termográfiai kézi kamera gyors használatba vételi útmutató	HU	59
Ręczna kamera termowizyjna Instrukcja obsługi	PL	66
Ghid de pornire rapidă Camera termografică manuală	RO	73
Stručná úvodná príručka k ručnej termografickej kamere	SK	80

1. Brief Description

The thermographic handheld camera is a camera with both optical images and thermal images. The built-in high-sensitivity IR detector and high-performance sensor detects the temperature change and measure the real-time temperature. The temperature measurement range is -20 °C to 550 °C (-4 °F to 1022 °F) with accuracy ±2 °C or 2%. It helps the users to find the risky part and lower their property loss.

You can connect the device to Hik-Thermal client software to view live view, capture, and recording, etc. on your phone. Scan the QR code to download the client software.



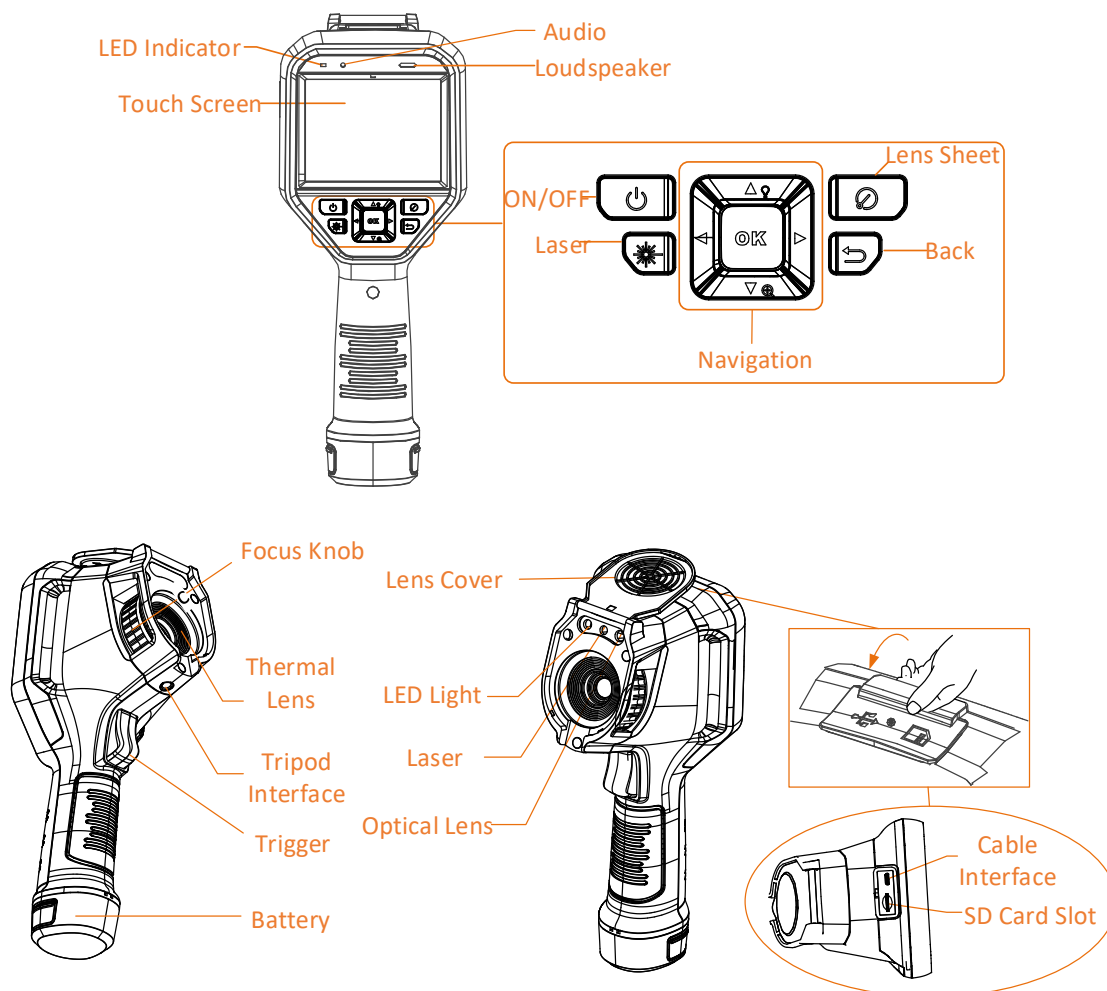
Android System



iOS System

You can use iVMS 4800 to analysis pictures offline, and generate report. Download the software via link: <https://www.hikvision.com/en/support/download/software/ivms-4800-temperature-measurement/>.

2. Appearance



Component	Function
Navigation Button	Menu Mode: <ul style="list-style-type: none"> ● Press ▽, △, ▷, and ◁ to select parameters. ● Press OK to confirm.
	Non-Menu Mode: <ul style="list-style-type: none"> ● Press △ to turn on/off the LED light supplement. ● Press ▽ to start digital zoom.
Laser Button	Hold the button to turn on laser, and release the button to turn off laser.
Lens Sheet Button	Cover the lens to perform the correction.
Back Button	Exit the menu or return to previous menu.
Focus Knob	Adjust lens focal length.
Trigger	Pull the trigger to capture. Hold the trigger to record videos.
Cable Interface	Charge the device or export files with supplied cable.

3. Charge Device

After the device starts up, the OSD (on-screen display) shows the battery status. When the battery is low, charge the device and ensure it works properly.

3.1 Charge Device via Cable Interface

Steps

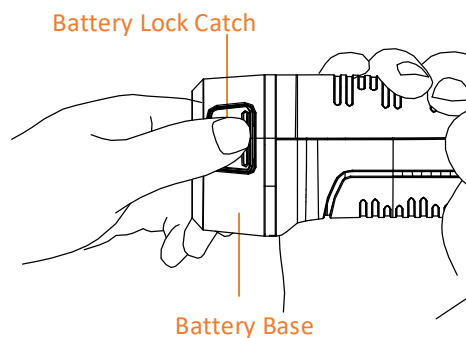
1. Lift the cover of interface.
2. Plug in the cable, and charge the device.

3.2 Charge Device via Charging Base

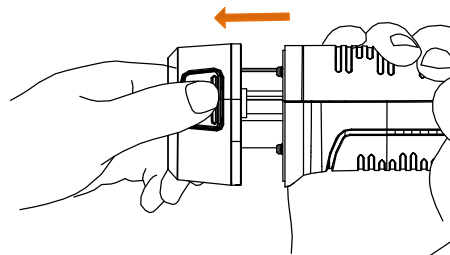
You need to purchase charging base.

Steps:

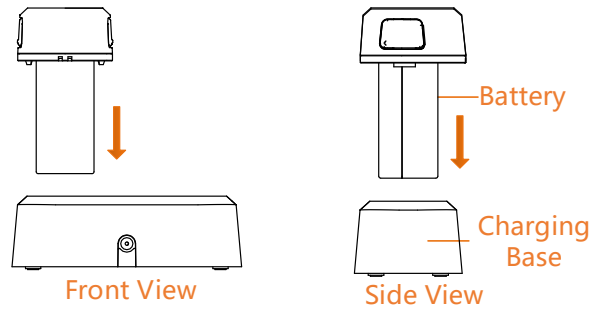
1. Hold the device, and press both battery lock catches of the device.



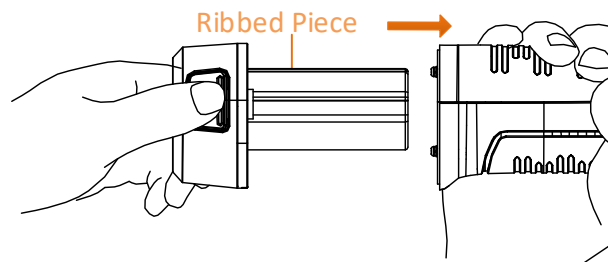
2. Hold the lock catches, and draw the battery base to take out the battery.



3. Insert the battery into the charging base. You can see the charging status via the pilot lamp on the charging base.



4. When the battery is fully charged, draw the battery from the charging base.
5. Align the ribbed piece on battery with the notch of the device, and insert battery into the device.



User Manual



Legal Information

User Manual

©2020 Hangzhou Hikvision Digital Technology Co., Ltd. All rights reserved.

About this Manual

The Manual includes instructions for using and managing the Product. Pictures, charts, images and all other information hereinafter are for description and explanation only. The information contained in the Manual is subject to change, without notice, due to firmware updates or other reasons. Please find the latest version of this Manual at the Hikvision website (<https://www.hikvision.com>).

Please use this Manual with the guidance and assistance of professionals trained in supporting the Product.

Trademarks

HIKVISION and other Hikvision's trademarks and logos are the properties of Hikvision in various jurisdictions.

Other trademarks and logos mentioned are the properties of their respective owners.

Disclaimer

TO THE MAXIMUM EXTENT PERMITTED BY APPLICABLE LAW, THIS MANUAL AND THE PRODUCT DESCRIBED, WITH ITS HARDWARE, SOFTWARE AND FIRMWARE, ARE PROVIDED "AS IS" AND "WITH ALL FAULTS AND ERRORS". HIKVISION MAKES NO WARRANTIES, EXPRESS OR IMPLIED, INCLUDING WITHOUT LIMITATION,

MERCHANTABILITY, SATISFACTORY QUALITY, OR FITNESS FOR A PARTICULAR PURPOSE. THE USE OF THE PRODUCT BY YOU IS AT YOUR OWN RISK. IN NO EVENT WILL HIKVISION BE LIABLE TO YOU FOR ANY SPECIAL, CONSEQUENTIAL, INCIDENTAL, OR INDIRECT DAMAGES, INCLUDING, AMONG OTHERS, DAMAGES FOR LOSS OF BUSINESS PROFITS, BUSINESS INTERRUPTION, OR LOSS OF DATA, CORRUPTION OF SYSTEMS, OR LOSS OF DOCUMENTATION, WHETHER BASED ON BREACH OF CONTRACT, TORT (INCLUDING NEGLIGENCE), PRODUCT LIABILITY, OR OTHERWISE, IN CONNECTION WITH THE USE OF THE PRODUCT, EVEN IF HIKVISION HAS BEEN ADVISED OF THE POSSIBILITY OF SUCH DAMAGES OR LOSS.

YOU ACKNOWLEDGE THAT THE NATURE OF INTERNET PROVIDES FOR INHERENT SECURITY RISKS, AND HIKVISION SHALL NOT TAKE ANY RESPONSIBILITIES FOR ABNORMAL OPERATION, PRIVACY LEAKAGE OR OTHER DAMAGES RESULTING FROM CYBER-ATTACK, HACKER ATTACK, VIRUS INSPECTION, OR OTHER INTERNET SECURITY RISKS; HOWEVER, HIKVISION WILL PROVIDE TIMELY TECHNICAL SUPPORT IF REQUIRED.

YOU AGREE TO USE THIS PRODUCT IN COMPLIANCE WITH ALL APPLICABLE LAWS, AND YOU ARE SOLELY RESPONSIBLE FOR ENSURING THAT YOUR USE CONFORMS TO THE APPLICABLE LAW. ESPECIALLY, YOU ARE RESPONSIBLE, FOR USING THIS PRODUCT IN A MANNER THAT DOES NOT INFRINGE ON THE RIGHTS OF THIRD PARTIES, INCLUDING WITHOUT LIMITATION, RIGHTS OF PUBLICITY, INTELLECTUAL PROPERTY RIGHTS, OR DATA PROTECTION AND OTHER PRIVACY RIGHTS. YOU SHALL NOT USE THIS PRODUCT FOR ANY PROHIBITED END-USES, INCLUDING THE DEVELOPMENT OR PRODUCTION OF WEAPONS OF MASS DESTRUCTION, THE DEVELOPMENT OR PRODUCTION OF CHEMICAL OR BIOLOGICAL WEAPONS, ANY ACTIVITIES IN THE CONTEXT RELATED TO ANY NUCLEAR EXPLOSIVE OR UNSAFE NUCLEAR FUEL-CYCLE, OR IN SUPPORT OF HUMAN RIGHTS ABUSES.

IN THE EVENT OF ANY CONFLICTS BETWEEN THIS MANUAL AND THE APPLICABLE LAW, THE LATER PREVAILS.

Regulatory Information

FCC Information

Please take attention that changes or modification not expressly approved by the party responsible for compliance could void the user's authority to operate the equipment.

FCC compliance: This equipment has been tested and found to comply with the limits for a Class B digital device, pursuant to part 15 of the FCC Rules. These limits are designed to provide reasonable protection against harmful interference in a residential installation. This equipment generates, uses and can radiate radio frequency energy and, if not installed and used in accordance with the instructions, may cause harmful interference to radio communications. However, there is no guarantee that interference will not occur in a particular installation. If this equipment does cause harmful interference to radio or television reception, which can be determined by turning the equipment off and on, the user is encouraged to try to correct the interference by one or more of the following measures:

- Reorient or relocate the receiving antenna.
- Increase the separation between the equipment and receiver.
- Connect the equipment into an outlet on a circuit different from that to which the receiver is connected.
- Consult the dealer or an experienced radio/TV technician for help.

This equipment should be installed and operated with a minimum distance 20 cm between the radiator and your body.

FCC Conditions

This device complies with part 15 of the FCC Rules. Operation is subject to the following two conditions:

1. This device may not cause harmful interference.
2. This device must accept any interference received, including interference that may cause undesired operation.

EU Conformity Statement



This product and - if applicable - the supplied accessories too are marked with "CE" and comply therefore with the applicable harmonized European standards listed under the EMC Directive 2014/30/EU, the RoHS Directive 2011/65/EU



2012/19/EU (WEEE directive): Products marked with this symbol cannot be disposed of as unsorted municipal waste in the European Union. For proper recycling, return this product to your local supplier upon the purchase of equivalent new equipment, or dispose of it at designated collection points. For more information see: www.recyclethis.info.



2006/66/EC (battery directive): This product contains a battery that cannot be disposed of as unsorted municipal waste in the European Union. See the product documentation for specific battery information. The battery is marked with this symbol, which may include lettering to indicate cadmium (Cd), lead (Pb), or mercury (Hg). For proper recycling, return the battery to your supplier or to a designated collection point. For more information see: www.recyclethis.info.



Industry Canada ICES-003 Compliance

This device meets the CAN ICES-3 (B)/NMB-3(B) standards requirements.

This device complies with Industry Canada licence-exempt RSS standard(s). Operation is subject to the following two conditions:

- (1) this device may not cause interference, and
- (2) this device must accept any interference, including interference that may cause undesired operation of the device.

Le présent appareil est conforme aux CNR d'Industrie Canada applicables aux appareils radioexempts de licence. L'exploitation est autorisée aux deux conditions suivantes:

- (1) l'appareil ne doit pas produire de brouillage, et
- (2) l'utilisateur de l'appareil doit accepter tout brouillage radioélectrique subi, même si le brouillage est susceptible d'en compromettre le fonctionnement.

Under Industry Canada regulations, this radio transmitter may only operate using an antenna of a type and maximum (or lesser) gain approved for the transmitter by Industry Canada. To reduce potential radio interference to other users, the antenna type and its gain should be so chosen that the equivalent isotropically radiated power (e.i.r.p.) is not more than that necessary for successful communication.

Conformément à la réglementation d'Industrie Canada, le présent émetteur radio peut fonctionner avec une antenne d'un type et d'un gain maximal (ou inférieur) approuvé pour l'émetteur par Industrie Canada. Dans le but de réduire les risques de brouillage radioélectrique à l'intention des autres utilisateurs, il faut choisir le type d'antenne et son gain de sorte que la puissance isotrope rayonnée équivalente (p.i.r.e.) ne dépasse pas l'intensité nécessaire à l'établissement d'une communication satisfaisante.

This equipment should be installed and operated with a minimum distance 20cm between the radiator and your body.

Cet équipement doit être installé et utilisé à une distance minimale de 20 cm entre le radiateur et votre corps.

Safety Instruction

These instructions are intended to ensure that user can use the product correctly to avoid danger or property loss.

Laws and Regulations

- Use of the product must be in strict compliance with the local electrical safety regulations.

Transportation

- Keep the device in original or similar packaging while transporting it.
- Keep all wrappers after unpacking them for future use. In case of any failure occurred, you need to return the device to the factory with the original wrapper. Transportation without the original wrapper may result in damage on the device and the company shall not take any responsibilities.
- Do not drop the product or subject it to physical shock. Keep the device away from magnetic interference.

Power Supply

- The input voltage should meet the Limited Power Source (5 VDC, 2 A) according to the IEC61010-1 standard. Please refer to technical specifications for detailed information.
- Make sure the plug is properly connected to the power socket.
- DO NOT connect multiple devices to one power adapter, to avoid over-heating or fire hazards caused by overload.

Battery

- Improper use or replacement of the battery may result in explosion hazard. Replace with the same or equivalent type only. The battery type is E97-13-1S1P26650. Dispose of used batteries in conformance with the instructions provided by the battery manufacturer.
- Do not charge other battery types with the supplied charger. Confirm there is no flammable material within 2 m of the charger during charging.
- For long-term storage of the battery, make sure it is fully charged every half year to ensure the battery quality. Otherwise, damage may occur.
- DO NOT place the battery near heating or fire source. Avoid direct sunlight.
- DO NOT swallow the battery to avoid chemical burns.
- DO NOT place the battery in the reach of children.

Maintenance

- If the product does not work properly, please contact your dealer or the nearest service center. We shall not assume any responsibility for problems caused by unauthorized repair or maintenance.
- A few device components (e.g., electrolytic capacitor) require regular replacement. The average lifespan varies, so periodic checking is recommended. Contact your dealer for details.
- Wipe the device gently with a clean cloth and a small quantity of ethanol, if necessary.
- If the product does not work properly, please contact your dealer or the nearest service center. We shall not assume any responsibility for problems caused by unauthorized repair or maintenance.

Using Environment

- DO NOT expose the device to extremely hot, cold, dusty, corrosive, saline-alkali, or damp environments. Make sure the running environment meets the requirement of the device. The operating temperature shall be -10 °C to 50 °C (14 °F to 122 °F), and the operating humidity shall be 90% or less.
- This device can only be safely used in the region below 2000 meters above the sea level.
- Place the device in a dry and well-ventilated environment.
- DO NOT expose the device to high electromagnetic radiation or dusty environments.
- DO NOT aim the lens at the sun or any other bright light.
- When any laser equipment is in use, make sure that the device lens is not exposed to the laser beam, or it may burn out.

Emergency

- If smoke, odor, or noise arises from the device, immediately turn off the power, unplug the power cable, and contact the service center.

Laser



Warning: The laser radiation emitted from the device can cause eye injuries, burning of skin or inflammable substances. Before enabling the Light Supplement function, make sure no human or inflammable substances are in front of the laser lens.

Manufacture Address

No.555 Qianmo Road, Binjiang District, Hangzhou 310052, China
Hangzhou Hikvision Digital Technology Co., Ltd

FR

1. Brève description

La caméra thermique portable est une caméra dotée de capacités d'imagerie optique et thermique. Le détecteur IR haute sensibilité et le capteur haute performance intégrés détectent tout changement de température et mesurent la température en temps réel. La plage de mesure de la température est comprise entre -20 °C et 550 °C (-4 °F et 1 022 °F) avec une marge de précision de ± 2 °C (ou 2 %). Cette caméra aide les utilisateurs à détecter les risques et permet de réduire les éventualités de perte de biens.

Vous pouvez connecter l'appareil au logiciel client Hik-Thermal pour regarder la vue en direct, effectuer des captures, des enregistrements, etc. depuis votre téléphone. Scannez le code QR pour télécharger le logiciel client.



Système Android

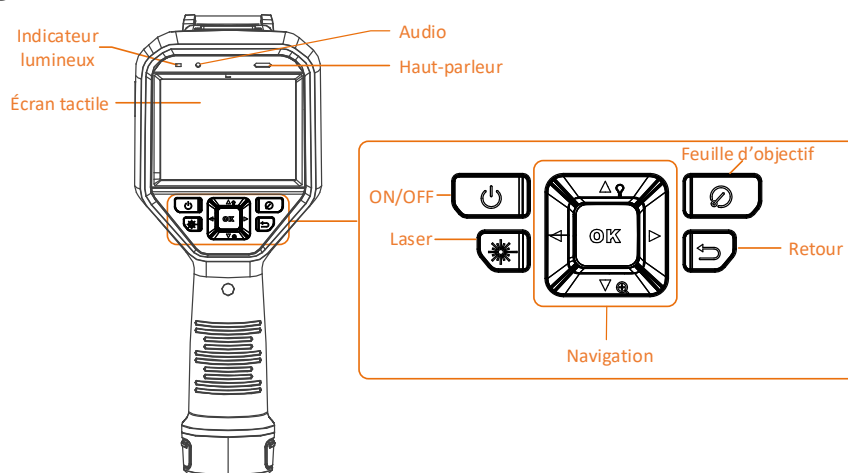


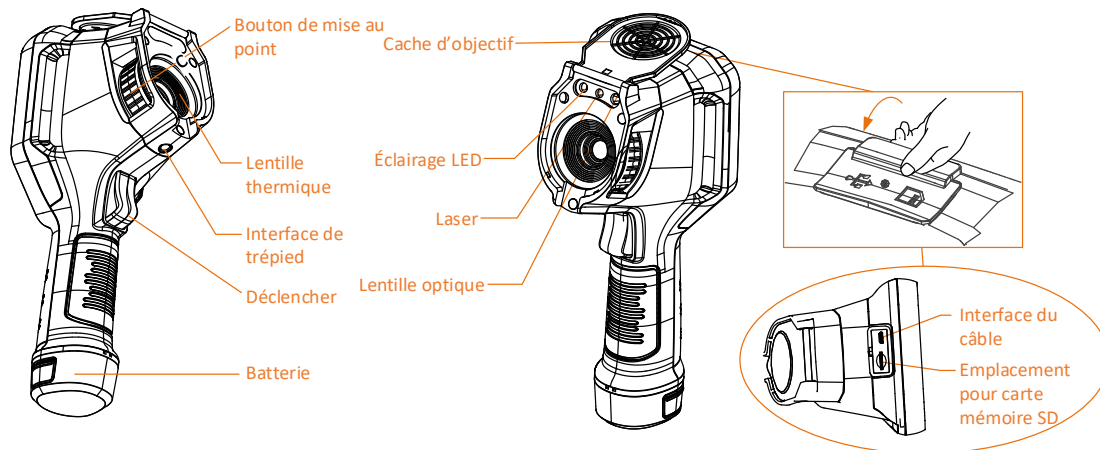
Système iOS

Vous pouvez utiliser le logiciel iVMS 4800 pour analyser et générer des rapports d'images hors ligne. Vous pouvez télécharger le logiciel client ici :

[https://www.hikvision.com/en/support/download/software/ivms-4800-temperature-measurement-./](https://www.hikvision.com/en/support/download/software/ivms-4800-temperature-measurement-/)

2. Apparence





Composant	Fonction
Bouton de navigation	Dans le menu Mode : <ul style="list-style-type: none"> ● Appuyez sur les touches ▽, △, ▷, et ◁ pour sélectionner les paramètres. ● Appuyez sur OK pour confirmer.
	En dehors du menu Mode : <ul style="list-style-type: none"> ● Appuyez sur la touche △ pour allumer/éteindre l'éclairage LED supplémentaire. ● Appuyez sur la touche ▽ pour lancer le zoom numérique.
Bouton laser	Maintenez ce bouton enfoncé pour allumer le laser, puis relâchez-le pour éteindre le laser.
Bouton de feuille d'objectif	Permet de recouvrir l'objectif pour réaliser la correction.
Bouton de retour	Quitter le menu ou revenir au menu précédent.
Bouton de mise au point	Permet de régler la longueur focale de l'objectif.
Déclencher	Appuyez sur la gâchette pour effectuer une capture. Maintenez la gâchette enfoncée pour enregistrer des vidéos.
Interface du câble	L'appareil peut être chargé et des fichiers peuvent être exportés à l'aide du câble fourni.

3. Chargement de l'appareil

Après le démarrage de l'appareil, l'affichage à l'écran indique l'état de la batterie. Lorsque la batterie est faible, chargez l'appareil et assurez-vous qu'il fonctionne correctement.

3.1 Chargement de l'appareil via l'interface du câble

Procédures

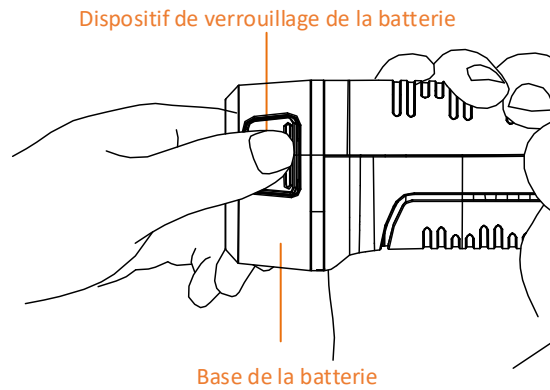
1. Soulevez le couvercle de l'interface.
2. Branchez le câble pour charger l'appareil.

3.2 Chargement de l'appareil via une station de recharge

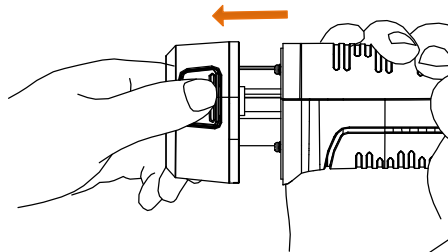
La station de recharge doit être achetée séparément.

Procédures :

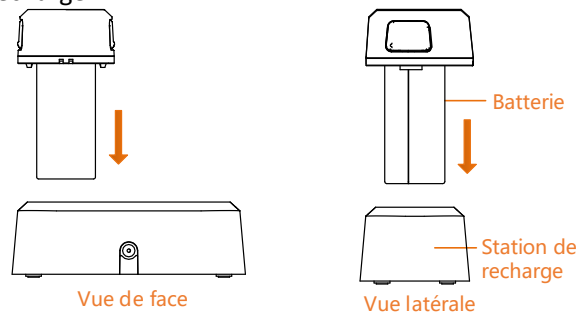
1. Tenez l'appareil, puis appuyez simultanément sur les deux dispositifs de verrouillage de la batterie situés sur l'appareil.



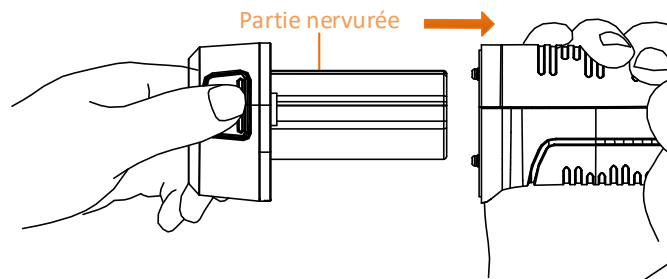
2. Maintenez les dispositifs de verrouillage, puis tirez la base de la batterie pour sortir la batterie.



3. Insérez la batterie dans la station de recharge. Vous pouvez voir l'état de charge grâce à la lampe témoin située sur la station de recharge.



4. Lorsque la batterie est complètement chargée, ôtez-la de la station de recharge.
5. Alignez la partie nervurée de la batterie avec l'encoche située sur l'appareil, puis insérez la batterie dans l'appareil.



Manuel d'utilisation



Informations légales

Manuel d'utilisation

©2020 Hangzhou Hikvision Digital Technology Co., Ltd. Tous droits réservés.

À propos de ce manuel

Ce manuel fournit des instructions d'utilisation et de gestion du produit. Les images, les tableaux, les figures et toutes les autres informations ci-après ne sont données qu'à titre de description et d'explication. Les informations contenues dans ce manuel sont sujettes à modification sans préavis, en raison d'une mise à jour d'un micrologiciel ou pour d'autres raisons. Veuillez trouver la dernière version de ce manuel sur le site Internet de Hikvision (<https://www.hikvision.com>).

Veuillez utiliser ce mode d'emploi avec les conseils et l'assistance de professionnels spécialement formés dans la prise en charge de ce produit.

Marques déposées

HIKVISION et d'autres marques de commerce et logos de Hikvision appartiennent à Hikvision dans divers pays.

Toutes les autres marques et tous les logos mentionnés appartiennent à leurs propriétaires respectifs.

Clause d'exclusion de responsabilité

DANS LES LIMITES AUTORISÉES PAR LA LOI EN VIGUEUR, LE PRÉSENT MANUEL ET LE PRODUIT DÉCRIT, AINSI QUE SON MATÉRIEL, SES LOGICIELS ET SES MICROLOGICIELS, SONT FOURNIS « EN L'ÉTAT » ET « AVEC TOUS LES DÉFAUTS ET ERREURS ». HIKVISION NE FAIT AUCUNE GARANTIE, EXPLICITE OU IMPLICITE, Y COMPRIS, MAIS SANS S'Y LIMITER, DE QUALITÉ MARCHANDE, DE QUALITÉ SATISFAISANTE, OU D'ADÉQUATION À UN USAGE PARTICULIER. VOUS UTILISEZ LE PRODUIT À VOS PROPRES RISQUES. EN AUCUN CAS HIKVISION NE SERA TENU RESPONSABLE POUR TOUT DOMMAGE SPÉCIAL, CONSÉCUTIF, ACCESSOIRE OU INDIRECT, Y COMPRIS, ENTRE AUTRES, LES DOMMAGES RELATIFS À LA PERTE DE PROFITS D'ENTREPRISE, À L'INTERRUPTION D'ACTIVITÉS COMMERCIALES, OU LA PERTE DES DONNÉES, LA CORRUPTION DES SYSTÈMES, OU LA PERTE DES DOCUMENTS, S'ILS SONT BASÉS SUR UNE VIOLATION DE CONTRAT, UNE FAUTE (Y COMPRIS LA NÉGLIGENCE), LA RESPONSABILITÉ EN MATIÈRE DE PRODUITS, OU AUTRE, EN RAPPORT AVEC L'UTILISATION DU PRODUIT, MÊME SI HIKVISION A ÉTÉ INFORMÉ DE LA POSSIBILITÉ D'UN TEL DOMMAGE OU D'UNE TELLE PERTE.

VOUS RECONNAISSEZ QUE LA NATURE D'INTERNET EST SOURCE DE RISQUES DE SÉCURITÉ INHÉRENTS, ET HIKVISION SE DÉGAGE DE TOUTE RESPONSABILITÉ EN CAS DE FONCTIONNEMENT ANORMAL, DIVULGATION D'INFORMATIONS CONFIDENTIELLES OU AUTRES DOMMAGES DÉCOULANT D'UNE CYBERATTAQUE, D'UN PIRATAGE INFORMATIQUE, D'UNE INFECTION PAR DES VIRUS, OU AUTRES RISQUES DE SÉCURITÉ LIÉS À INTERNET ; TOUTEFOIS, HIKVISION FOURNIRA UNE ASSISTANCE TECHNIQUE DANS LES DÉLAIS, LE CAS ÉCHÉANT. VOUS ACCEPTEZ D'UTILISER CE PRODUIT CONFORMÉMENT À L'ENSEMBLE DES LOIS EN VIGUEUR. IL EST DE VOTRE RESPONSABILITÉ EXCLUSIVE DE VEILLER À CE QUE VOTRE UTILISATION SOIT CONFORME À LA LOI APPLICABLE. IL VOUS APPARTIENT SURTOUT D'UTILISER CE PRODUIT D'UNE MANIÈRE QUI NE PORTE PAS ATTEINTE AUX DROITS DE TIERS, Y COMPRIS, MAIS SANS S'Y LIMITER, LES DROITS DE PUBLICITÉ, LES DROITS DE PROPRIÉTÉ INTELLECTUELLE, OU LA PROTECTION DES DONNÉES ET D'AUTRES DROITS À LA VIE PRIVÉE. VOUS NE DEVEZ PAS UTILISER CE PRODUIT POUR TOUTE UTILISATION FINALE INTERDITE, NOTAMMENT LA MISE AU POINT

OU LA PRODUCTION D'ARMES DE DESTRUCTION MASSIVE, LA MISE AU POINT OU LA FABRICATION D'ARMES CHIMIQUES OU BIOLOGIQUES, LES ACTIVITÉS DANS LE CONTEXTE LIÉ AUX EXPLOSIFS NUCLÉAIRES OU AU CYCLE DU COMBUSTIBLE NUCLÉAIRE DANGEREUX, OU SOUTENANT LES VIOLATIONS DES DROITS DE L'HOMME. EN CAS DE CONFLIT ENTRE CE MANUEL ET LES LOIS EN VIGUEUR, CES DERNIÈRES PRÉVALENT.

Réglementation

Informations relatives à la FCC

Attention : tout changement ou toute modification non expressément autorisés par la partie responsable de la conformité pourraient annuler le droit d'utiliser cet équipement.

Conformité FCC : cet appareil a été testé et reconnu conforme aux limites prescrites pour un appareil numérique de classe B, conformément à la section 15 de la réglementation FCC. Ces limites sont conçues pour fournir une protection raisonnable contre les interférences nuisibles dans une installation résidentielle. Cet appareil génère, utilise et émet de l'énergie radioélectrique, et s'il n'est pas installé ou utilisé conformément aux instructions, est susceptible de causer des interférences nuisibles aux communications radio. Toutefois, il n'y a pas de garantie que des interférences ne puissent se produire dans une installation particulière. Si cet équipement provoque des interférences nuisibles à la réception de télévision ou de radio, ce qui peut être déterminé en mettant l'équipement successivement hors tension puis sous tension, l'utilisateur est invité à essayer de corriger les interférences en adoptant une des mesures suivantes :

- Réorienter ou déplacer l'antenne de réception.
- Augmenter la distance de séparation entre l'équipement et le récepteur.
- Brancher l'équipement sur un circuit différent de celui sur lequel est branché le récepteur.
- Demander l'assistance du distributeur ou d'un technicien radio/TV qualifié.

Cet équipement doit être installé et utilisé à une distance minimale de 20 cm entre la source émettrice et votre corps.

Conditions FCC

Cet appareil répond aux critères de la section 15 de la réglementation FCC. Son utilisation est soumise aux deux conditions suivantes :

1. Cet appareil ne doit pas produire d'interférences nuisibles.
2. Cet appareil doit accepter les interférences provenant de l'extérieur, y compris celles qui peuvent nuire à son fonctionnement.

Déclaration de conformité UE



Le présent produit et, le cas échéant, les accessoires fournis, portent la mention « CE » et sont par conséquent conformes aux normes européennes harmonisées, répertoriées dans les directives CEM 2014/30/UE et RoHS 2011/65/UE.



2012/19/UE (directive DEEE) : Dans l'Union européenne, les produits portant ce pictogramme ne doivent pas être déposés dans une décharge municipale où le tri des déchets n'est pas pratiqué. Pour un recyclage adéquat, remettez ce produit à votre revendeur lors de l'achat d'un nouvel équipement équivalent, ou déposez-le dans un lieu de collecte prévu à cet effet. Pour de plus amples informations, consultez : www.recyclethis.info.



2006/66/CE (directive sur les batteries) : Ce produit renferme une batterie qui ne doit pas être déposée dans une décharge municipale où le tri des déchets n'est pas pratiqué, dans l'Union européenne. Pour plus de précisions sur la batterie, reportez-vous à sa documentation. La batterie porte le pictogramme ci-contre, qui peut inclure la mention Cd (cadmium), Pb (plomb) ou Hg (mercure). Pour la recycler correctement, renvoyez la batterie à votre revendeur ou déposez-la dans un point de collecte prévu à cet effet. Pour de plus amples informations, consultez : www.recyclethis.info.

Conformité ICES-003 d'Industrie Canada

Cet appareil est conforme aux dispositions des normes CAN ICES-3 (B)/NMB-3(B).

Cet appareil est conforme aux normes RSS exemptes de licence du ministère de l'Industrie du Canada. Son utilisation est soumise aux deux conditions suivantes :

- (1) cet appareil ne doit pas causer d'interférences nuisibles, et
- (2) cet appareil doit accepter toutes les interférences, y compris celles qui pourraient nuire à son fonctionnement.

En vertu des réglementations du ministère de l'Industrie du Canada, cet émetteur radio ne peut fonctionner qu'avec une antenne dont le type et le gain maximal (ou inférieur) sont approuvés pour ce même émetteur par le ministère de l'Industrie du Canada. Pour réduire les interférences radio potentielles sur d'autres utilisateurs, le type d'antenne et son gain doivent être choisis de sorte que la puissance isotrope rayonnée équivalente (p.i.r.e.) ne dépasse pas celle nécessaire au bon déroulement de la communication.

Cet équipement doit être installé et utilisé à une distance minimale de 20 cm entre la source émettrice et votre corps.

Consignes de sécurité

L'objectif de ces instructions est de garantir que l'utilisateur soit en mesure d'utiliser correctement le produit sans danger ou dommage aux biens.

Lois et réglementations

- L'appareil doit être strictement utilisé conformément à la réglementation locale en matière de sécurité électrique.

Transport

- Gardez l'appareil dans son emballage d'origine ou dans un emballage similaire lors de son transport.
- Veuillez conserver l'emballage de l'appareil pour toute utilisation ultérieure. En cas de panne, vous devrez renvoyer l'appareil à l'usine dans son emballage d'origine. Le transport de l'appareil sans son emballage d'origine peut l'endommager, et l'entreprise se dégage de toute responsabilité dans ce cas.
- Ne pas faire tomber le produit ou le soumettre à un choc physique. Éloigner l'appareil d'interférences magnétiques.

Alimentation électrique

- La tension d'entrée doit être conforme à la source d'alimentation limitée (5 V CC, 2 A) selon la norme IEC61010-1. Veuillez vous référer aux caractéristiques techniques pour des informations détaillées.
- Vérifiez que la prise est correctement branchée à la prise électrique.
- Pour éviter tout risque de surchauffe ou d'incendie dû à une surcharge, ne reliez PAS plusieurs appareils à un seul adaptateur d'alimentation.

Batterie

- Une mauvaise utilisation ou une batterie mal remplacée peut entraîner un risque d'explosion. Remplacez-la uniquement par une batterie identique ou de type équivalent. Le type de la batterie est E97-13-1S1P26650. Éliminez les batteries usées conformément aux instructions fournies par leur fabricant.

- Ne chargez pas d'autres types de pile avec le chargeur fourni. Pendant la recharge des piles, vérifiez qu'il n'y a aucun matériau inflammable à moins de 2 m du chargeur.
- En cas de stockage à long terme de la batterie, assurez-vous qu'elle est complètement chargée tous les six mois afin d'en conserver la qualité. Dans le cas contraire, elle pourrait se détériorer.
- NE placez PAS la batterie à proximité d'une source de chaleur ou de feu. Ne l'exposez pas à la lumière directe du soleil.
- N'avalez PAS la batterie pour éviter les risques de brûlures chimiques.
- NE laissez PAS la batterie à portée des enfants.

Maintenance

- Si le produit ne fonctionne pas correctement, contactez votre revendeur ou le centre de service le plus proche. Nous n'assumerons aucune responsabilité concernant les problèmes causés par une réparation ou une opération de maintenance non autorisée.
- Certains composants de l'appareil (p. ex., condensateur électrolytique) doivent être remplacés régulièrement. Leur durée de vie moyenne est variable, c'est pourquoi des contrôles périodiques sont recommandés. Veuillez contacter votre distributeur pour plus d'informations.
- Essuyez délicatement l'appareil à l'aide d'un chiffon propre imbibé d'une petite quantité d'éthanol, si nécessaire.
- Si le produit ne fonctionne pas correctement, contactez votre revendeur ou le centre de service le plus proche. Nous n'assumerons aucune responsabilité concernant les problèmes causés par une réparation ou une opération de maintenance non autorisée.

Environnement d'exploitation

- N'exposez PAS l'appareil à des environnements extrêmement chauds, froids, poussiéreux, corrosifs, salins-alcalins ou humides. Assurez-vous que l'environnement d'exploitation répond aux exigences de l'appareil. La température de fonctionnement de l'appareil doit être comprise entre -10 °C et 50 °C (14 °F et 122 °F). L'humidité tolérée en fonctionnement doit être de 90 % ou moins.
- Cet appareil peut uniquement être utilisé en toute sécurité jusqu'à une altitude de 2 000 m au-dessus du niveau de la mer.
- Placez l'appareil dans un endroit sec et bien aéré.
- N'exposez PAS l'appareil à de puissants rayonnements électromagnétiques ou à des environnements poussiéreux.
- N'orientez PAS l'objectif vers le soleil ou toute autre source de lumière vive.
- Pendant l'utilisation de tout équipement générant un laser, veillez à ce que l'objectif de l'appareil ne soit pas exposé au faisceau laser, car il pourrait brûler.

Urgence

- Si de la fumée, des odeurs ou du bruit s'échappent de l'appareil, mettez immédiatement l'appareil hors tension et débranchez le câble d'alimentation, puis contactez un centre de réparation.

Laser



Avertissement : Le rayonnement laser émis par l'appareil peut provoquer des blessures aux yeux, des brûlures de la peau ou générer des substances inflammables. Avant d'activer la fonction de complément de lumière, assurez-vous qu'aucune personne ni aucune substance inflammable ne se trouvent devant l'objectif du laser.

Adresse de fabrication

No.555 Qianmo Road, Binjiang District, Hangzhou 310052, Chine
Hangzhou Hikvision Digital Technology Co., Ltd

1. Kurze Beschreibung

Die Hand-Wärmebildkamera ist eine Kamera mit sowohl optischen als auch Wärmebildfunktionen. Der integrierte hochempfindliche IR-Detektor und Hochleistungssensor erfassen Temperaturänderungen und messen die Temperatur in Echtzeit. Sie hat einen Temperaturmessbereich von -20 °C bis $+550\text{ °C}$ mit einer Genauigkeit von $\pm 2\text{ °C}$ (oder 2 %). Sie hilft Anwendern, Risiken zu erkennen und reduziert die Wahrscheinlichkeit von Vermögensverlusten.

Sie können das Gerät mit der Hik-Thermal-Client-Software verbinden, um Live-Ansicht, Foto und Aufzeichnung usw. auf Ihrem Telefon anzuzeigen. Scannen Sie den QR-Code, um die Client-Software herunterzuladen.



Android

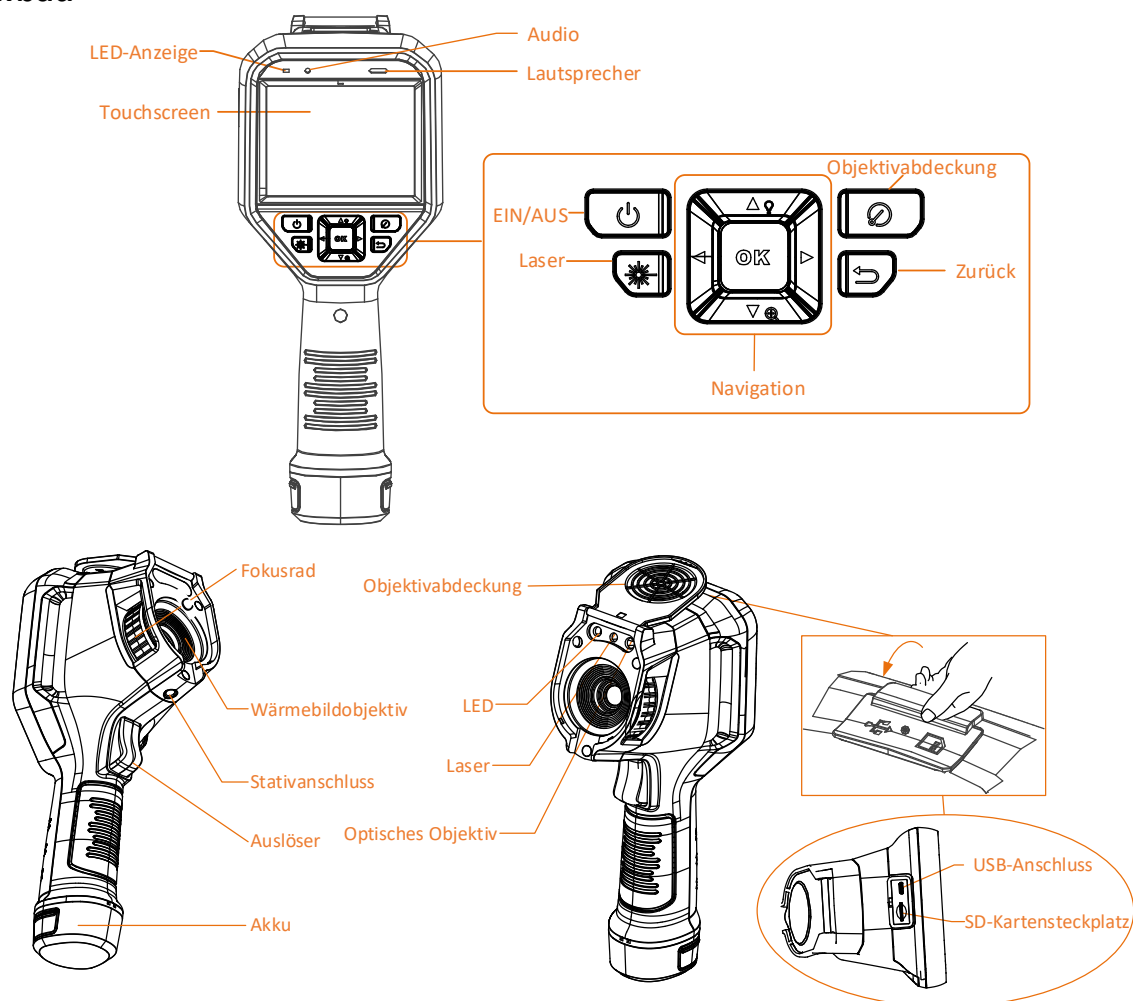


iOS

Sie können iVMS 4800 verwenden, um Bildberichte offline zu analysieren und zu generieren. Client hier herunterladen:

<https://www.hikvision.com/en/support/download/software/ivms-4800-temperature-measurement-/>.

2. Aufbau



Komponente	Funktion
Navigationstaste	Menümodus: <ul style="list-style-type: none"> ● Drücken Sie ▽, △, ▷ und ◁ zur Auswahl von Parametern. ● Drücken Sie OK zur Bestätigung.
	Nicht-Menümodus: <ul style="list-style-type: none"> ● Drücken Sie △, um das LED-Zusatzlicht ein- und auszuschalten. ● Drücken Sie ▽, um den Digital-Zoom zu starten.
Lasertaste	Halten Sie die Taste gedrückt, um den Laser einzuschalten und lassen Sie die Taste wieder los, um den Laser auszuschalten.
Objektivabdecktaste	Deckt das Objektiv ab, um die Korrektur durchzuführen.
Zurücktaste	Menü verlassen oder zum vorherigen Menü zurückkehren.
Fokusrad	Hier stellen Sie die Brennweite des Objektivs ein.
Auslöser	Drücken Sie den Auslöser für Aufnahmen. Halten Sie den Auslöser gedrückt, um Videos aufzunehmen.
USB-Anschluss	Das Gerät kann über das mitgelieferte Kabel aufgeladen und Dateien können exportiert werden.

3. Gerät laden

Nachdem das Gerät hochgefahren ist, zeigt der Bildschirm den Akkustatus an. Wenn der Akku schwach ist, laden Sie das Gerät und vergewissern Sie sich, dass es ordnungsgemäß funktioniert.

3.1 Gerät über USB-Anschluss laden

Schritte

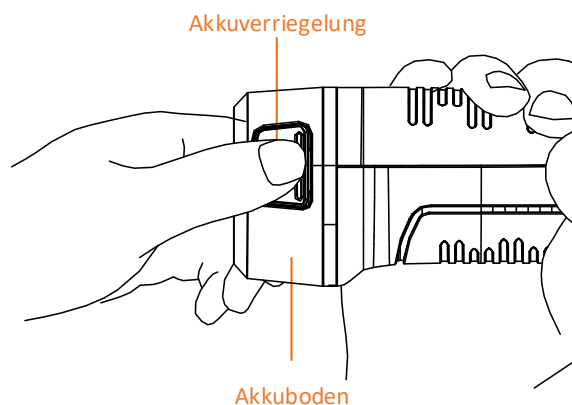
1. Heben Sie die Schutzkappe des Anschlusses an.
2. Schließen Sie das Kabel an, um das Gerät aufzuladen.

3.2 Gerät über Ladestation laden

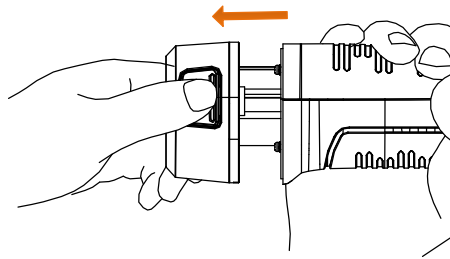
Die Ladestation muss separat erworben werden.

Schritte:

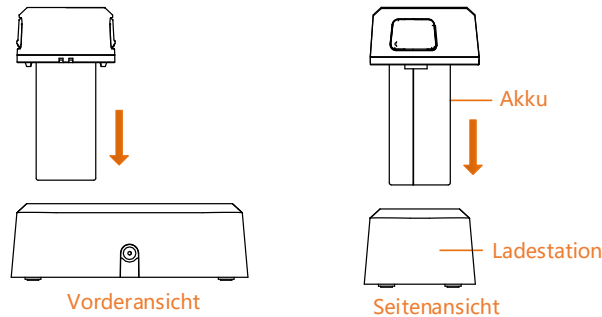
1. Halten Sie das Gerät mit einer Hand und drücken Sie die beiden Akkuverriegelungen des Geräts.



2. Ziehen Sie den Akku aus dem Gerät.

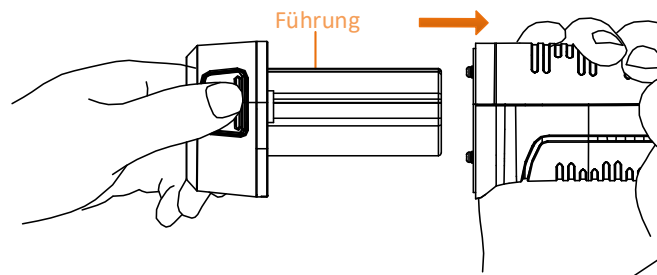


3. Setzen Sie den Akku in die Ladestation ein. Sie können den Ladestatus über die Kontrollanzeige an der Ladestation ablesen.



4. Wenn der Akku vollständig geladen ist, nehmen Sie den Akku aus der Ladestation.

5. Richten Sie die Führung des Akkus mit dem Gerät aus und setzen Sie den Akku in das Gerät ein.



Benutzerhandbuch



Rechtliche Informationen

Benutzerhandbuch

©2020 Hangzhou Hikvision Digital Technology Co., Ltd. Alle Rechte vorbehalten.

Hinweise zu dieser Bedienungsanleitung

Die Bedienungsanleitung beinhaltet Anleitungen zur Verwendung und Verwaltung des Produkts. Bilder, Diagramme, Abbildungen und alle sonstigen Informationen dienen nur der Beschreibung und Erklärung. Die Änderung der in der Bedienungsanleitung enthaltenen Informationen ist aufgrund von Firmware-Aktualisierungen oder aus anderen Gründen vorbehalten. Die neueste Version dieser Bedienungsanleitung finden Sie auf der Website von Hikvision (<https://www.hikvision.com>).

Bitte verwenden Sie diese Bedienungsanleitung unter Anleitung und Unterstützung von Fachleuten, die für den Support des Produkts geschult sind.

Markenzeichen

HIKVISION und andere Marken und Logos von Hikvision sind das Eigentum von Hikvision in verschiedenen Ländern.

Andere hier erwähnte Marken und Logos sind Eigentum ihrer jeweiligen Inhaber.

Haftungsausschluss

DIESE BEDIENUNGSANLEITUNG UND DAS BESCHRIEBENE PRODUKT MIT SEINER HARDWARE, SOFTWARE UND FIRMWARE WERDEN, SOWEIT GESETZLICH ZULÄSSIG, IN DER „VORLIEGENDEN FORM“ UND MIT „ALLEN FEHLERN UND IRRTÜMERN“ BEREITGESTELLT. HIKVISION ÜBERNIMMT KEINE AUSDRÜCKLICHEN ODER STILLSCHWEIGENDEN GARANTIE, EINSCHLIESSLICH, ABER NICHT BESCHRÄNKT AUF DIE MARKTGÄNGIGKEIT, ZUFRIEDENSTELLENDEN QUALITÄT ODER EIGNUNG FÜR EINEN BESTIMMTEN ZWECK. DIE NUTZUNG DES PRODUKTS DURCH SIE ERFOLGT AUF IHRE EIGENE GEFAHR. IN KEINEM FALL IST HIKVISION IHNEN GEGENÜBER HAFTBAR FÜR BESONDERE, ZUFÄLLIGE, DIREKTE ODER INDIREKTE SCHÄDEN, EINSCHLIESSLICH, JEDOCH NICHT DARAUF BESCHRÄNKT, VERLUST VON GESCHÄFTSGEWINNEN, GESCHÄFTSUNTERBRECHUNG, DATENVERLUST, SYSTEMBESCHÄDIGUNG, VERLUST VON DOKUMENTATIONEN, SEI ES AUFGRUND VON VERTRAGSBRUCH, UNERLAUBTER HANDLUNG (EINSCHLIESSLICH FAHRLÄSSIGKEIT), PRODUKTHAFTUNG ODER ANDERWEITIG, IN VERBINDUNG MIT DER VERWENDUNG DIESES PRODUKTS, SELBST WENN HIKVISION ÜBER DIE MÖGLICHKEIT DERARTIGER SCHÄDEN ODER VERLUSTE INFORMIERT WAR.

SIE ERKENNEN AN, DASS DIE NATUR DES INTERNETS DAMIT VERBUNDENE SICHERHEITSRISIKEN BEINHÄLTET. HIKVISION ÜBERNIMMT KEINE VERANTWORTUNG FÜR ANORMALEN BETRIEB, DATENVERLUST ODER ANDERE SCHÄDEN, DIE SICH AUS CYBERANGRIFFEN, HACKERANGRIFFEN, VIRUSINFESTION ODER ANDEREN SICHERHEITSRISIKEN IM INTERNET ERGEBEN. HIKVISION WIRD JEDOCH BEI BEDARF ZEITNAH TECHNISCHEM SUPPORT LEISTEN.

SIE STIMMEN ZU, DIESES PRODUKT IN ÜBEREINSTIMMUNG MIT ALLEN GELTENDEN GESETZEN ZU VERWENDEN, UND SIE SIND ALLEIN DAFÜR VERANTWORTLICH, DASS IHRE VERWENDUNG GEGEN KEINE GELTENDEN GESETZE VERSTÖßT. INSBESONDERE SIND SIE DAFÜR VERANTWORTLICH, DIESES PRODUKT SO ZU VERWENDEN, DASS DIE RECHTE DRITTER NICHT VERLETZT WERDEN, EINSCHLIESSLICH, ABER NICHT BESCHRÄNKT AUF VERÖFFENTLICHUNGSRECHTE, DIE RECHTE AN GEISTIGEM EIGENTUM ODER DEN DATENSCHUTZ UND ANDERE PERSÖNLICHKEITSRECHTE. SIE DÜRFEN DIESES PRODUKT NICHT FÜR VERBOTENE ENDANWENDUNGEN VERWENDEN, EINSCHLIESSLICH DER ENTWICKLUNG ODER HERSTELLUNG VON MASSENVERNICHTUNGSWAFFEN, DER ENTWICKLUNG ODER HERSTELLUNG CHEMISCHER ODER BIOLOGISCHER WAFFEN, JEGLICHER AKTIVITÄTEN IM ZUSAMMENHANG MIT EINEM NUKLEAREN SPRENGKÖRPER ODER UNSICHEREN NUKLEAREN BRENNSTOFFKREISLAUF BZW. ZUR UNTERSTÜTZUNG VON MENSCHENRECHTSVERLETZUNGEN. IM FALL VON WIDERSPRÜCHEN ZWISCHEN DIESER BEDIENUNGSANLEITUNG UND GELTENDEM RECHT IST LETZTERES MASSGEBLICH.

Behördliche Informationen

FCC-Hinweise

Bitte beachten Sie, dass Änderungen oder Modifikationen an diesem Gerät, die nicht ausdrücklich vom Hersteller zugelassen sind, zum Verlust der allgemeinen Betriebserlaubnis führen können.

FCC-Konformität: Dieses Gerät wurde getestet und erfüllt die Grenzwerte für digitale Geräte der Klasse B in Übereinstimmung mit Abschnitt 15 der FCC-Bestimmungen. Diese Grenzwerte sollen einen angemessenen Schutz vor schädlichen Störungen in einer Wohnumgebung bieten. Dieses Gerät verursacht und verwendet Energie im Radiofrequenzbereich und kann auf solchen Frequenzen ausstrahlen. Falls es nicht in Übereinstimmung mit den Anweisungen installiert und verwendet wird, kann es Störungen der Funkkommunikation verursachen. Es gibt jedoch keine Garantie dafür, dass bei einer bestimmten Installation

keine Störungen auftreten können. Wenn dieses Gerät schädliche Störungen des Radio- oder TV-Empfangs erzeugt, was durch das Aus- und Einschalten des Geräts ermittelt werden kann, sollte der Anwender versuchen, die Störungen durch eine oder mehrere der folgenden Maßnahmen zu beheben:

- Richten Sie die Empfangsantenne neu aus oder setzen Sie sie um.
- Vergrößern Sie den Abstand zwischen Gerät und Empfänger.
- Schließen Sie das Gerät an die Steckdose eines anderen Stromkreises als den des Empfängers an.
- Wenden Sie sich an Ihren Fachhändler oder einen erfahrenen Radio-/Fernsehtechniker.

Dieses Gerät muss mit einem Mindestabstand von 20 cm zwischen der Antenne und Personen aufgebaut und betrieben werden.

FCC-Bedingungen

Dieses Gerät entspricht Abschnitt 15 der FCC- Bestimmungen. Der Betrieb ist unter den folgenden beiden Bedingungen gestattet:

1. Dieses Gerät darf keine schädlichen Störungen verursachen.
2. Dieses Gerät muss jegliche empfangene Störungen aushalten, einschließlich jener, die zu einem unerwünschten Betrieb führen.

EU-Konformitätserklärung



Dieses Produkt und – falls zutreffend – das mitgelieferte Zubehör sind mit dem „CE“-Zeichen gekennzeichnet und erfüllen daher die gültigen harmonisierten Europäischen Normen, die in der EMV-Richtlinie 2014/30/EG und der RoHS-Richtlinie 2011/65/EU aufgelistet sind.



2012/19/EU (Elektroaltgeräte-Richtlinie): Produkte, die mit diesem Symbol gekennzeichnet sind, dürfen innerhalb der Europäischen Union nicht mit dem Hausmüll entsorgt werden. Für korrektes Recycling geben Sie dieses Produkt an Ihren örtlichen Fachhändler zurück oder entsorgen Sie es an einer der Sammelstellen. Weitere Informationen finden Sie unter: www.recyclethis.info.



2006/66/EC (Batterierichtlinie): Dieses Produkt enthält eine Batterie, die innerhalb der Europäischen Union nicht mit dem Hausmüll entsorgt werden darf. Siehe Produktdokumentation für spezifische Hinweise zu Batterien. Die Batterie ist mit diesem Symbol gekennzeichnet, das zusätzlich die Buchstaben Cd für Cadmium, Pb für Blei oder Hg für Quecksilber enthalten kann. Für korrektes Recycling geben Sie die Batterie an Ihren örtlichen Fachhändler zurück oder entsorgen Sie sie an einer der Sammelstellen. Weitere Informationen finden Sie unter: www.recyclethis.info.



Industry Canada ICES-003 Konformität

Dieses Gerät erfüllt die Anforderungen der Norm CAN ICES-3 (B)/NMB-3(B).

Dieses Gerät erfüllt die Vorschriften der Industry Canada Lizenz mit Ausnahme des/r RSS-Norm(en). Der Betrieb ist unter den folgenden beiden Bedingungen gestattet:

- (1) dieses Gerät darf keine Störungen verursachen, und
- (2) dieses Gerät muss jegliche Störungen hinnehmen, einschließlich Störungen, die einen unerwünschten Betrieb des Geräts verursachen.

Gemäß den Vorschriften von Industry Canada darf dieser Funksender nur mit einer Antenne betrieben werden, die vom Typ und der maximalen (oder geringeren) Verstärkung ist, die von Industry Canada für den Sender zugelassen wurde. Um mögliche Funkstörungen anderer Benutzer zu reduzieren, müssen Antennentyp und Verstärkung so gewählt werden, dass die äquivalente isotrope Strahlungsleistung (EIRP) nicht höher ist, als die für eine erfolgreiche Kommunikation erforderliche.

Dieses Gerät muss mit einem Mindestabstand von 20 cm zwischen der Antenne und Personen aufgebaut und betrieben werden.

Sicherheitshinweis

Diese Anleitungen sollen gewährleisten, dass Sie das Produkt korrekt verwenden, um Gefahren oder Sachschäden zu vermeiden.

Gesetze und Vorschriften

- Die Verwendung des Produkts muss in strikter Übereinstimmung mit den örtlichen Vorschriften zur elektrischen Sicherheit erfolgen.

Transportwesen

- Bewahren Sie das Gerät beim Transport in der ursprünglichen oder einer vergleichbaren Verpackung auf.
- Bewahren Sie das gesamte Verpackungsmaterial nach dem Auspacken für zukünftigen Gebrauch auf. Im Falle eines Fehlers müssen Sie das Gerät in der Originalverpackung an das Werk zurücksenden. Beim Transport ohne Originalverpackung kann das Gerät beschädigt werden und wir übernehmen keine Verantwortung.
- Lassen Sie das Produkt nicht fallen und vermeiden Sie heftige Stöße. Halten Sie das Gerät von magnetischen Störungen fern.

Spannungsversorgung

- Die Eingangsspannung muss einer Stromquelle mit begrenzter Leistung (5 V DC, 2 A) gemäß der Norm IEC61010-1 entsprechen. Siehe technische Daten für detaillierte Informationen.
- Stellen Sie sicher, dass der Stecker richtig in der Steckdose steckt.
- Verbinden Sie NICHT mehrere Geräte mit einem Netzteil, da es andernfalls durch Überlastung zu einer Überhitzung oder einem Brand kommen kann.

Akku

- Wenn der Akku unsachgemäß verwendet oder ausgetauscht wird, besteht möglicherweise Explosionsgefahr. Tauschen Sie stets gegen den gleichen oder äquivalenten Typ aus. Der Akkutyp ist E97-13-1S1P26650. Entsorgen Sie verbrauchte Akkus entsprechend den Anweisungen des Akkuherstellers.
- Laden Sie keine anderen Akkutypen mit dem mitgelieferten Ladegerät auf. Stellen Sie sicher, dass sich während des Ladevorgangs im Umkreis von 2 m um das Ladegerät kein brennbares Material befindet.
- Achten Sie bei langfristiger Lagerung des Akkus darauf, dass er alle sechs Monate vollständig geladen wird, um seine Lebensdauer zu gewährleisten. Anderenfalls kann es zu Schäden kommen.
- Lagern Sie den Akku NICHT in unmittelbarer Nähe einer Wärme- oder Feuerquelle. Keinem direkten Sonnenlicht aussetzen.
- Den Akku NICHT verschlucken, es besteht Verätzungsgefahr.
- Bewahren Sie den Akku NICHT in der Reichweite von Kindern auf.

Instandhaltung

- Falls das Produkt nicht einwandfrei funktionieren sollte, wenden Sie sich an Ihren Händler oder den nächstgelegenen Kundendienst. Wir übernehmen keine Haftung für Probleme, die durch nicht Reparatur- oder Instandhaltungsarbeiten von nicht autorisierten Dritten verursacht werden.
- Einige Gerätekomponenten (z. B. Elektrolytkondensator) müssen regelmäßig ausgetauscht werden. Die durchschnittliche Lebensdauer variiert, weshalb eine regelmäßige Prüfung empfohlen wird. Einzelheiten erfahren Sie von Ihrem Händler.
- Wischen Sie das Gerät bei Bedarf sanft mit einem sauberen Tuch und einer geringen Menge Ethanol ab.
- Falls das Produkt nicht einwandfrei funktionieren sollte, wenden Sie sich an Ihren Händler oder den nächstgelegenen Kundendienst. Wir übernehmen keine Haftung für Probleme, die durch nicht Reparatur- oder Instandhaltungsarbeiten von nicht autorisierten Dritten verursacht werden.

Einsatzumgebung

- Setzen Sie das Gerät NICHT extrem heißen, kalten, staubigen, korrosiven, salzhaltigen, alkalischen oder feuchten Umgebungen aus. Achten Sie darauf, dass die Betriebsumgebung den Anforderungen des Geräts entspricht. Die Betriebstemperatur des Geräts beträgt -10 °C bis 50 °C und die Betriebsluftfeuchtigkeit darf höchstens 90 % betragen.
- Dieses Gerät kann nur in Regionen unterhalb von 2000 Metern über dem Meeresspiegel sicher verwendet werden.
- Stellen Sie das Gerät an einem kühlen und gut belüfteten Ort auf.
- Setzen Sie das Gerät KEINER hohen elektromagnetischen Strahlung oder staubigen Umgebungen aus.
- Richten Sie das Objektiv NICHT auf die Sonne oder eine andere helle Lichtquelle.
- Achten Sie bei Verwendung eines Lasergeräts darauf, dass das Objektiv des Geräts nicht dem Laserstrahl ausgesetzt wird. Andernfalls könnte es durchbrennen.

Notruf

- Sollten sich Rauch, Gerüche oder Geräusche in dem Gerät entwickeln, so schalten Sie es unverzüglich aus und ziehen Sie den Netzstecker; wenden Sie sich dann an den Kundendienst.

Laser



Warnhinweis: Die vom Gerät abgegebene Laserstrahlung kann zu Augenverletzungen, Hautverbrennungen oder der Entzündung brennbarer Substanzen führen. Bevor Sie die Funktion Zusatzlicht aktivieren, vergewissern Sie sich, dass sich weder Personen noch brennbare Substanzen vor der Laserlinse befinden.

Anschrift des Herstellers

No. 555 Qianmo Road, Binjiang District, Hangzhou 310052, China
Hangzhou Hikvision Digital Technology Co., Ltd

ES

1. Descripción breve

La cámara termográfica portátil permite capturar imágenes tanto ópticas como térmicas. El detector integrado de IR de alta sensibilidad y el sensor de alto rendimiento detectan los cambios de temperatura y miden la temperatura en tiempo real. El intervalo de medición de la temperatura oscila entre -20 °C y 550 °C (-4 °F y 1022 °F) con un rango de precisión de ± 2 °C (o 2 %). Ayuda a los usuarios a detectar riesgos y reduce la posibilidad de pérdidas de recursos.

Puede conectar el dispositivo al software del cliente Hik-Thermal para ver la vista en directo, las capturas, las grabaciones, etc. Escanee el código QR para descargar el software del cliente.



Sistema Android

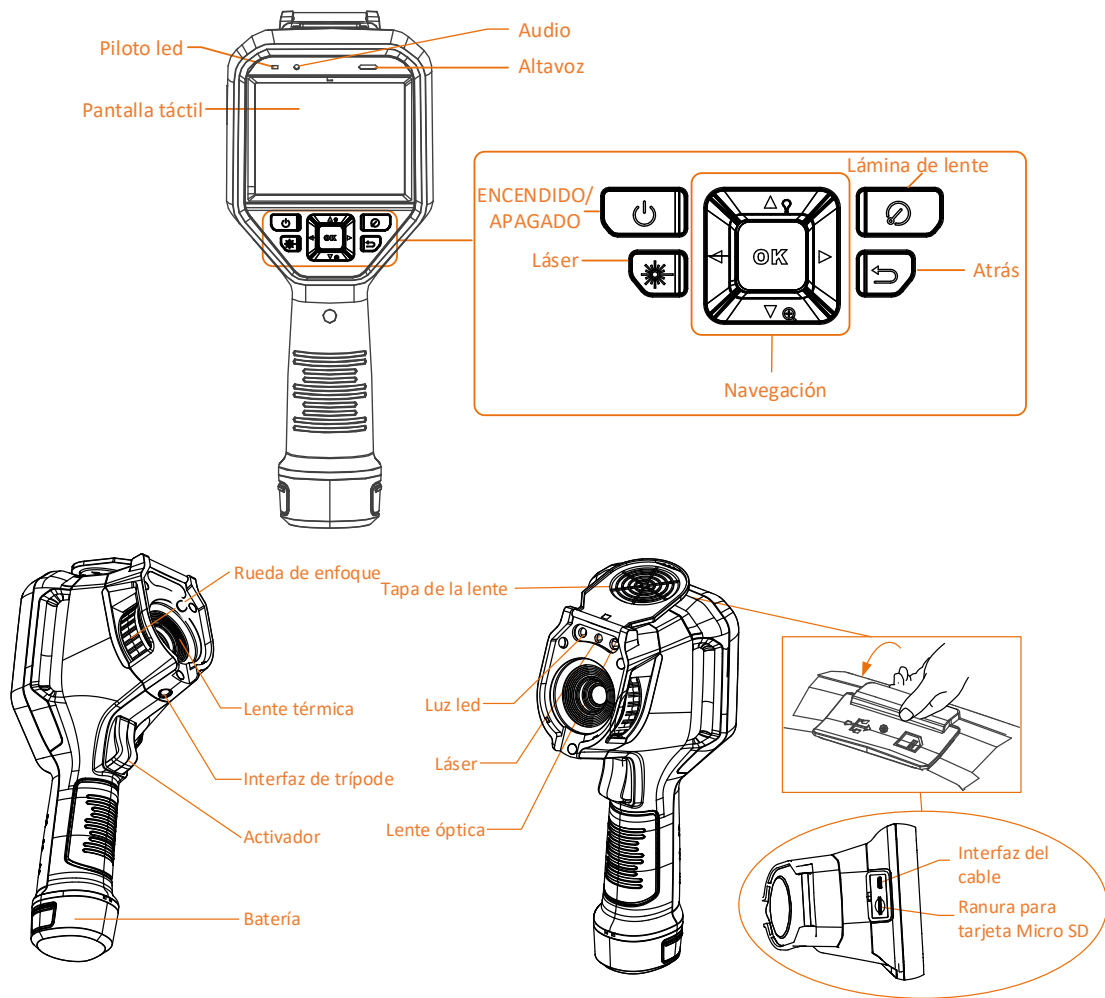


Sistema iOS

Puede utilizar el software iVMS 4800 para analizar y generar informes de imagen sin conexión. Descargue el cliente aquí:

<https://www.hikvision.com/en/support/download/software/ivms-4800-temperature-measurement/>.

2. Apariencia



Componente	Función
Botón de navegación	Modo menú: <ul style="list-style-type: none"> ● Pulse ▾, ▴, ▷ y ◁ para seleccionar los ajustes. ● Pulse OK para confirmar.
	Modo sin menú: <ul style="list-style-type: none"> ● Pulse ▴ para encender/apagar el suplemento de luz led. ● Pulse ▾ para iniciar el zoom digital.
Botón de láser	Mantenga pulsado el botón para encender el láser y suéltelo para apagarlo.
Botón de lámina de lente	Cubre la lente para realizar la corrección.
Botón atrás	Salte del menú o regrese al menú anterior.
Rueda de enfoque	Ajusta la longitud focal de la lente.
Activador	Presione el activador para capturar. Mantenga pulsado el activador para grabar vídeos.
Interfaz del cable	El dispositivo se puede cargar con el cable proporcionado y también permite exportar archivos.

3. Cargar dispositivo

Después de encender el dispositivo, la OSD (visualización en pantalla) muestra el estado de la batería. Cuando el nivel de batería sea bajo, cargue el dispositivo y compruebe que funcione correctamente.

3.1 Cargar el dispositivo con la interfaz de cable

Pasos

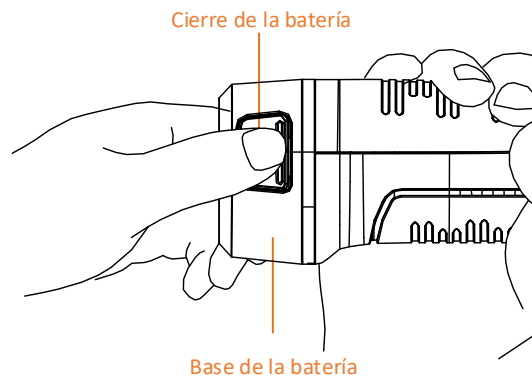
1. Levante la tapa de la interfaz.
2. Conecte el cable para cargar el dispositivo.

3.2 Cargar el dispositivo con la base de carga

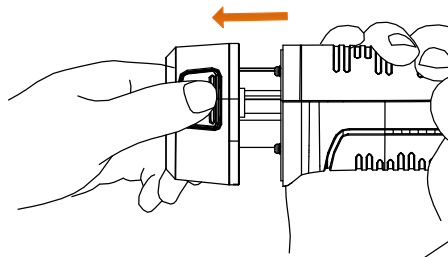
La base de carga se debe adquirir por separado.

Pasos:

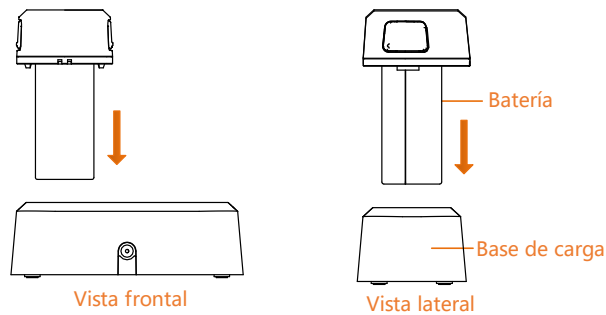
1. Sujete el dispositivo y presione la batería y los cierres del dispositivo.



2. Presione los cierres y tire de la base de la batería para sacarla.

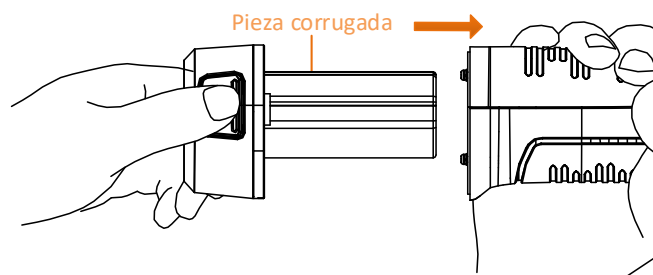


3. Inserte la batería en la base de carga. Puede ver el estado de carga a través del piloto luminoso de la base de carga.



4. Cuando la batería esté completamente cargada, retírela de la base de carga.

5. Alinee la pieza corrugada de la batería con la muesca del dispositivo e inserte la batería en el dispositivo.



Manual de usuario



Información legal

Manual de usuario

© 2020 Hangzhou Hikvision Digital Technology Co., Ltd. Todos los derechos reservados.

Sobre este manual

Este manual incluye las instrucciones de utilización y gestión del producto. Las figuras, gráficos, imágenes y cualquier otra información que encontrará en lo sucesivo tienen únicamente fines descriptivos y aclaratorios. La información incluida en el manual está sujeta a cambios, sin aviso previo, debido a las actualizaciones de software u otros motivos. Busque la última versión de este manual en la página web de Hikvision (<https://www.hikvision.com>).

Utilice este manual con la guía y asistencia de profesionales capacitados en el soporte del producto.

Marcas registradas

HIKVISION y otras marcas registradas y logotipos de Hikvision son propiedad de Hikvision en distintas jurisdicciones.

Las demás marcas comerciales y logotipos mencionados son propiedad de sus respectivos dueños.

Descargo de responsabilidad

EN LA MEDIDA MÁXIMA PERMITIDA POR LAS LEYES APLICABLES, ESTE MANUAL Y EL PRODUCTO DESCRITO —INCLUIDOS SU HARDWARE, SOFTWARE Y FIRMWARE— SE SUMINISTRAN «TAL CUAL» Y «CON TODOS SU FALLOS Y ERRORES». HIKVISION NO OFRECE GARANTÍAS, EXPLÍCITAS O IMPLÍCITAS, INCLUIDAS, A MODO ENUNCIATIVO, COMERCIALIZACIÓN, CALIDAD SATISFATORIA O IDONEIDAD PARA UN PROPÓSITO EN PARTICULAR. EL USO QUE HAGA DEL PRODUCTO CORRE BAJO SU ÚNICO RIESGO. EN NINGÚN CASO, HIKVISION PODRÁ CONSIDERARSE RESPONSABLE ANTE USTED DE NINGÚN DAÑO ESPECIAL, CONSECUENTE, INCIDENTAL O INDIRECTO, INCLUYENDO, ENTRE OTROS, DAÑOS POR PÉRDIDAS DE BENEFICIOS COMERCIALES, INTERRUPCIÓN DE LA ACTIVIDAD COMERCIAL, PÉRDIDA DE DATOS, CORRUPCIÓN DE LOS SISTEMAS O PÉRDIDA DE DOCUMENTACIÓN, YA SEA POR INCUMPLIMIENTO DEL CONTRATO, AGRAVIO (INCLUYENDO NEGLIGENCIA), RESPONSABILIDAD DEL PRODUCTO O EN RELACIÓN CON EL USO DEL PRODUCTO, INCLUSO CUANDO HIKVISION HAYA RECIBIDO UNA NOTIFICACIÓN DE LA POSIBILIDAD DE DICHS DAÑOS O PÉRDIDAS.

USTED RECONOCE QUE LA NATURALEZA DE INTERNET IMPLICA RIESGOS DE SEGURIDAD INHERENTES Y HIKVISION NO TENDRÁ NINGUNA RESPONSABILIDAD POR EL FUNCIONAMIENTO ANORMAL, FILTRACIONES DE

PRIVACIDAD U OTROS DAÑOS RESULTANTES DE ATAQUES CIBERNÉTICOS, ATAQUES DE HACKERS, INFECCIONES DE VIRUS U OTROS RIESGOS DE SEGURIDAD DE INTERNET; SIN EMBARGO, HIKVISION PROPORCIONARÁ APOYO TÉCNICO OPORTUNO DE SER NECESARIO.

USTED ACEPTA USAR ESTE PRODUCTO DE CONFORMIDAD CON TODAS LAS LEYES APLICABLES Y SOLO USTED ES EL ÚNICO RESPONSABLE DE ASEGURAR QUE EL USO CUMPLA CON DICHAS LEYES. EN ESPECIAL, USTED ES RESPONSABLE DE USAR ESTE PRODUCTO DE FORMA QUE NO INFRINJA LOS DERECHOS DE TERCEROS, INCLUYENDO, DE MANERA ENUNCIATIVA MAS NO LIMITATIVA, DERECHOS DE PUBLICIDAD, DERECHOS DE PROPIEDAD INTELECTUAL, DERECHOS RELATIVOS A LA PROTECCIÓN DE DATOS Y OTROS DERECHOS RELATIVOS A LA PRIVACIDAD. NO UTILIZARÁ ESTE PRODUCTO PARA NINGÚN USO FINAL PROHIBIDO, INCLUYENDO EL DESARROLLO O LA PRODUCCIÓN DE ARMAS DE DESTRUCCIÓN MASIVA, EL DESARROLLO O PRODUCCIÓN DE ARMAS QUÍMICAS O BIOLÓGICAS, NINGUNA ACTIVIDAD EN EL CONTEXTO RELACIONADO CON ALGÚN EXPLOSIVO NUCLEAR O EL CICLO DE COMBUSTIBLE NUCLEAR INSEGURO O EN APOYO DE ABUSOS DE LOS DERECHOS HUMANOS.

EN CASO DE HABER CONFLICTO ENTRE ESTE MANUAL Y LA LEGISLACIÓN VIGENTE, ESTA ÚLTIMA PREVALECE.

Información normativa

Información de la FCC

Tenga en cuenta que cualquier cambio o modificación no aprobado expresamente por la parte responsable del cumplimiento podría anular la autoridad del usuario para utilizar el equipo.

En conformidad con las normativas de la FCC: Este equipo ha sido probado y se ha verificado que cumple con los límites para los dispositivos digitales de Clase B indicados en la sección 15 de las normas de la FCC. Estos límites están diseñados para proporcionar una protección razonable contra las interferencias perjudiciales en una instalación residencial. Este equipo genera, usa y puede emitir energía de radiofrecuencia y, si no se instala y utiliza conforme a lo indicado en las instrucciones, puede ocasionar interferencias perjudiciales a las comunicaciones por radio. No obstante, no se puede garantizar que no se vayan a producir interferencias en una instalación en particular. Si este equipo produce interferencias que afecten a la recepción de radio o televisión, lo cual se puede comprobar encendiendo y apagando el equipo, el usuario puede intentar solucionar el problema tomando alguna de las siguientes medidas:

- Reoriente o reubique la antena receptora.
- Aumente la distancia entre el equipo y el receptor.
- Conecte el equipo a una salida en un circuito diferente al que esté conectado el receptor.
- Consulte con el distribuidor o con un técnico especializado en radio/TV para obtener ayuda.

Este equipo se debe instalar y operar a una distancia mínima de 20 cm entre el radiador y su cuerpo.

Condiciones de la FCC

Este dispositivo cumple con la sección 15 de la normativa FCC. Su utilización está sujeta a las dos condiciones siguientes:

1. Este dispositivo no debe ocasionar interferencias perjudiciales.
2. Este dispositivo debe aceptar cualquier interferencia recibida, incluidas aquellas que puedan ocasionar un funcionamiento no deseado.

Declaración de conformidad de la UE



Este producto y, cuando corresponda, los accesorios incluidos, también tienen la marca "CE" y por tanto cumplen los estándares europeos armonizados enumerados bajo la directiva de CEM 2014/30/UE, la directiva RoHS 2011/65/UE



2012/19/UE (directiva RAEE, residuos de aparatos eléctricos y electromagnéticos): En la Unión Europea, los productos marcados con este símbolo no pueden ser desechados en el sistema de basura municipal sin recogida selectiva. Para un reciclaje adecuado, entregue este producto en el lugar de compra del equipo nuevo equivalente o deshágase de él en el punto de recogida designado a tal efecto. Para más información visite: www.recyclethis.info.



2006/66/CE (directiva sobre baterías): Este producto lleva una batería que no puede ser desechada en el sistema municipal de basuras sin recogida selectiva dentro de la Unión Europea. Consulte la documentación del producto para ver la información específica de la batería. La batería lleva marcado este símbolo, que incluye unas letras indicando si contiene cadmio (Cd), plomo (Pb), o mercurio (Hg). Para un reciclaje adecuado, entregue la batería a su vendedor o llévela al punto de recogida de basuras designado a tal efecto. Para más información visite: www.recyclethis.info.



Conformidad con la ICES-003 de la Industria Canadiense

Este dispositivo cumple con los requisitos indicados en la normativa CAN ICES-3 (B)/NMB-3(B).

Este dispositivo cumple los estándares RSS exentos de licencia de la Industria de Canadá: Su utilización está sujeta a las dos condiciones siguientes:

- (1) este dispositivo no puede provocar interferencias y
- (2) este dispositivo debe aceptar cualquier interferencia, incluyendo aquellas que puedan provocar un funcionamiento no deseado del dispositivo.

De acuerdo con normativas de la industria de Canadá, este transmisor de radio solo funciona con un tipo de antena y una ganancia máxima (o menor) aprobada para el transmisor por la industria de Canadá. Para reducir la posible interferencia de radio a otros usuarios, el tipo de antena y su ganancia se deben seleccionar para que la potencia isotrópica radiada equivalente (e.i.r.p.) no sea mayor que la necesaria para realizar la comunicación correctamente.

Este equipo tiene que ser instalado y utilizado con una distancia mínima de 20 cm entre el radiador y su cuerpo.

Instrucciones de seguridad

Estas instrucciones están destinadas a garantizar que el usuario pueda utilizar el producto correctamente para evitar peligros o pérdidas materiales.

Leyes y normativas

- El uso del producto ha de cumplir estrictamente con las normas de seguridad eléctrica locales.

Transporte

- Guarde el dispositivo en su paquete original o en uno similar cuando lo transporte.
- Guarde el embalaje para uso futuro. En el caso de que ocurra algún fallo, deberá devolver el dispositivo a la fábrica con el envoltorio original. En caso de transporte sin el envoltorio original podría resultar en daños en el dispositivo y la empresa no se hará responsable.
- No deje caer el producto ni lo someta a impactos físicos. Mantenga el dispositivo alejado de interferencias magnéticas.

Alimentación eléctrica

- La tensión de entrada debe coincidir con la fuente de alimentación limitada (5 VCC, 2 A) en conformidad con la norma IEC61010-1. Consulte las especificaciones técnicas para obtener información detallada.
- Asegúrese de que el enchufe esté correctamente conectado a la toma de corriente.
- NO conecte múltiples dispositivos a un mismo adaptador de corriente, para evitar el sobrecalentamiento y los riesgos de incendio por sobrecarga.

Batería

- El uso o sustitución inadecuados de la batería pueden ser un riesgo de explosión. Cámbiela únicamente por otra del mismo tipo o equivalente. La batería es de tipo E97-13-1S1P26650. Deshágase de las baterías usadas conforme a las instrucciones proporcionadas por el fabricante de la batería.
- No cargue otros tipos de baterías con el cargador suministrado. Confirme que no haya material inflamable a menos de 2 m del cargador durante la carga.
- Para almacenar la batería durante un periodo prolongado, compruebe que esté completamente cargada cada medio año para garantizar la calidad de la misma. De lo contrario, podrían ocurrir daños.
- NO deje la batería cerca de fuentes de calor o de fuego. Evite la luz directa del sol.
- NO se trague la batería para evitar quemaduras químicas.
- NO deje la batería al alcance de los niños.

Mantenimiento

- Si el producto no funciona correctamente, por favor, póngase en contacto con su distribuidor o con el centro de servicio técnico más próximo. No nos haremos responsables de los problemas derivados de una reparación o mantenimiento no autorizados.
- Algunos componentes del dispositivo (p. e. el capacitor electrolítico) necesita una sustitución periódica. La vida útil promedio puede variar, por lo que se recomienda una revisión periódica. Contacte con su vendedor para más detalles.
- Limpie suavemente el dispositivo con una gamuza limpia con una pequeña cantidad de etanol, si fuese necesario.
- Si el producto no funciona correctamente, por favor, póngase en contacto con su distribuidor o con el centro de servicio técnico más próximo. No nos haremos responsables de los problemas derivados de una reparación o mantenimiento no autorizados.

Entorno de uso

- NO exponga el dispositivo a entornos excesivamente cálidos, fríos, con polvo, corrosivos, salinos-alkalinos o húmedos. Compruebe que el entorno de uso se adapte a los requisitos del dispositivo. La temperatura de funcionamiento del dispositivo oscila entre -10 °C y 50 °C (14 °F y 122 °F) y la humedad de funcionamiento es del 90 % o inferior.
- Este dispositivo solo se puede utilizar de forma segura en zonas de hasta 2000 metros por encima del nivel del mar.
- Coloque el dispositivo en un entorno seco y con buena ventilación.
- NO exponga el dispositivo a radiaciones electromagnéticas o entornos polvorientos.
- NO apunte el objetivo al sol ni a luces brillantes.
- Cuando utilice equipos láser, asegúrese de que el objetivo del dispositivo no quede expuesto al rayo láser ya que podría quemarse.

Emergencia

- Si hay presencia de humo, olores o ruidos procedentes del dispositivo, apague la alimentación inmediatamente, desenchufe el cable de alimentación y contacte con el servicio técnico.

Láser



Advertencia: La radiación láser emitida por el dispositivo puede causar lesiones oculares, quemaduras cutáneas o inflamar sustancias. Antes de activar la función de luz suplementaria, compruebe que no haya personas ni sustancias inflamables frente al objetivo láser.

Dirección de fabricación

No.555 Qianmo Road, Binjiang District, Hangzhou 310052, China
Hangzhou Hikvision Digital Technology Co., Ltd

IT

1. Descrizione sintetica

La termocamera portatile è una telecamera dotata di funzionalità sia ottiche che termografiche. Il rilevatore IR ad alta sensibilità integrato e il sensore ad alte prestazioni rilevano le variazioni di temperatura e misurano la temperatura in tempo reale. L'intervallo di misurazione della temperatura è compreso tra -20 °C e 550 °C (da -4 °F a 1022 °F), mentre il margine di precisione è di ± 2 °C (o 2%). Aiuta gli utenti a individuare i rischi e riduce il pericolo di perdita di beni.

L'utente può collegare il dispositivo al software client Hik-Thermal per la visualizzazione live, l'acquisizione, la registrazione e altro ancora sul proprio telefono. Scansionare il codice QR per scaricare il software client.



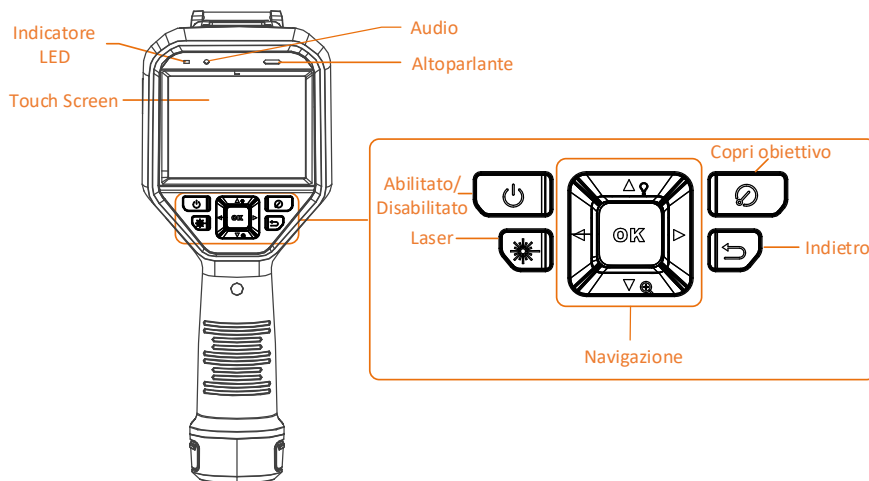
Per Android

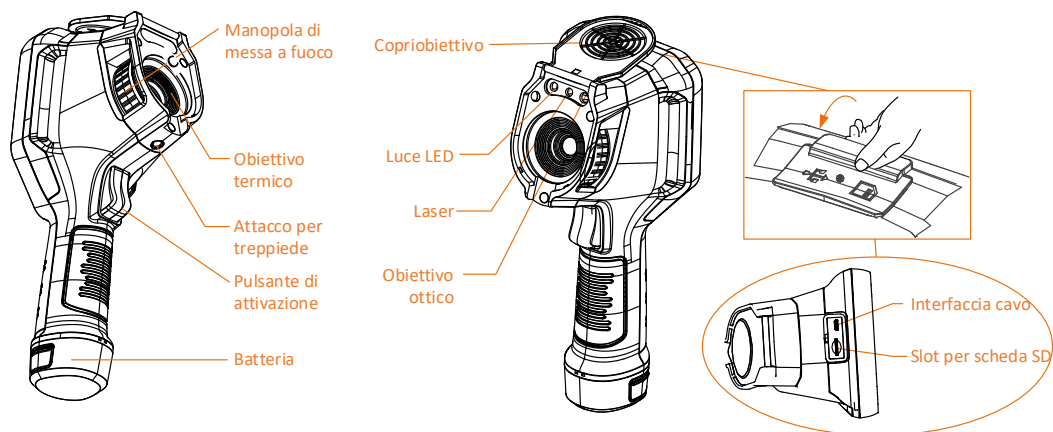


Per iOS

È possibile utilizzare il software client iVMS 4800 per analizzare e creare report di immagini offline. Scaricare il client qui: <https://www.hikvision.com/en/support/download/software/ivms-4800-temperature-measurement/>.

2. Aspetto





Componente	Funzione
Tasto di navigazione	Modalità menu: <ul style="list-style-type: none"> ● Premere ∇, \triangle, \triangleright e \triangleleft per selezionare i parametri. ● Premere OK per confermare.
	Modalità senza menu: <ul style="list-style-type: none"> ● Premere \triangle per accendere/spegnere la luce LED supplementare. ● Premere ∇ per avviare lo zoom digitale.
Pulsante Laser	Tenere premuto il pulsante per accendere il laser, rilasciare il pulsante per spegnere il laser.
Pulsante copri obiettivo	Copre l'obiettivo per eseguire la correzione.
Pulsante indietro	Uscita dal menu o ritorno al menu precedente.
Manopola di messa a fuoco	Regola la distanza focale dell'obiettivo.
Pulsante di attivazione	Premere il pulsante per acquisire immagini. Tenere premuto il pulsante per registrare video.
Interfaccia cavo	Il cavo in dotazione consente di caricare il dispositivo ed esportare i file.

3. Carica del dispositivo

All'avvio del dispositivo, sul display viene visualizzato lo stato della batteria. Quando la batteria è scarica, caricare il dispositivo e verificare che funzioni correttamente.

3.1 Caricamento del dispositivo tramite interfaccia cavo

Passaggi

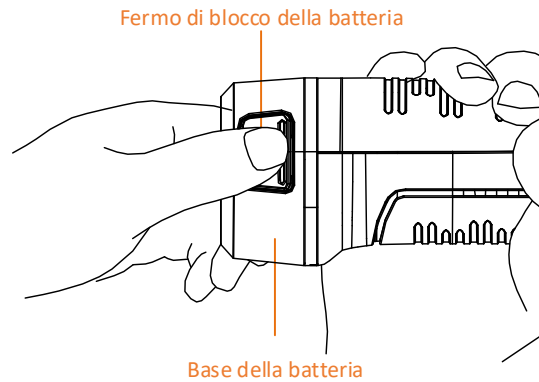
1. Sollevare la protezione dell'interfaccia.
2. Collegare il cavo per caricare il dispositivo.

3.2 Caricamento del dispositivo tramite base di ricarica

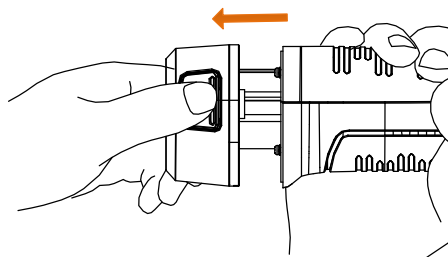
La base di ricarica dovrà essere acquistata separatamente.

Procedura:

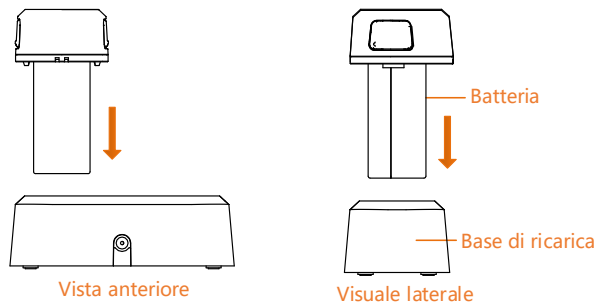
1. Tenendo il dispositivo in mano, premere entrambi i fermi di blocco della batteria del dispositivo.



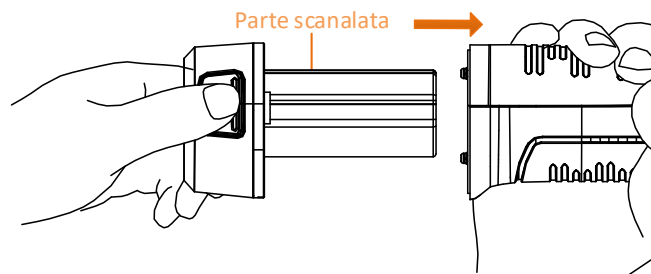
2. Tenere i fermi e tirare la base della batteria per estrarre quest'ultima.



3. Inserire la batteria nella base di ricarica. La lampada spia sulla base di ricarica consente di controllare lo stato della carica.



4. Quando la batteria è completamente carica, estrarla dalla base di ricarica.
5. Allineare la parte scanalata della batteria con la tacca del dispositivo, quindi inserire la batteria nel dispositivo.



Manuale dell'utente



Informazioni legali

Manuale dell'utente

©2020 Hangzhou Hikvision Digital Technology Co., Ltd. - Tutti i diritti riservati.

Informazioni sul presente manuale

Il presente manuale contiene le istruzioni per l'uso e la gestione del prodotto. Le illustrazioni, i grafici e tutte le altre informazioni di seguito riportate hanno solo scopi illustrativi ed esplicativi. Le informazioni contenute nel manuale sono soggette a modifiche senza preavviso in seguito ad aggiornamenti del firmware o per altri motivi. La versione più recente del presente manuale è disponibile sul sito web di Hikvision (<https://www.hikvision.com>).

Utilizzare il presente manuale sotto la supervisione e l'assistenza di personale qualificato nel supporto del prodotto.

Marchi commerciali

HIKVISION e gli altri marchi registrati e loghi di Hikvision sono di proprietà di Hikvision nelle varie giurisdizioni.

Gli altri marchi registrati e loghi menzionati appartengono ai rispettivi titolari.

Esclusione di responsabilità

NELLA MISURA MASSIMA CONSENTITA DALLA LEGGE VIGENTE, QUESTO MANUALE E IL PRODOTTO DESCRITTO, CON IL SUO HARDWARE, SOFTWARE E FIRMWARE, SONO FORNITI "COSÌ COME SONO" E "CON TUTTI I DIFETTI E GLI ERRORI". HIKVISION NON RILASCI ALCUNA GARANZIA, NÉ ESPRESSA NÉ IMPLICITA COME, SOLO A TITOLO DI ESEMPIO, GARANZIE DI COMMERCIALIZZABILITÀ, QUALITÀ SODDISFACENTE O IDONEITÀ PER UN USO SPECIFICO. L'UTENTE UTILIZZA IL PRODOTTO A PROPRIO RISCHIO. IN NESSUN CASO HIKVISION SARÀ RESPONSABILE VERSO L'UTENTE IN RELAZIONE A QUALSIASI DANNO STRAORDINARIO, CONSEGUENZIALE, ACCIDENTALE O INDIRECTO, COME, TRA GLI ALTRI, MANCATO PROFITTO, INTERRUZIONE DELL'ATTIVITÀ O PERDITA DI DATI, DANNEGGIAMENTO DI SISTEMI O PERDITA DI DOCUMENTAZIONE, DERIVANTI DA INADEMPIENZA CONTRATTUALE, ILLECITO (COMPRESA LA NEGLIGENZA), RESPONSABILITÀ PER DANNI AI PRODOTTI O ALTRIMENTI IN RELAZIONE ALL'USO DEL PRODOTTO, ANCHE QUALORA HIKVISION SIA STATA INFORMATA DELLA POSSIBILITÀ DI TALI DANNI O PERDITE.

L'UTENTE RICONOSCE CHE LA NATURA DI INTERNET PREVEDE RISCHI DI SICUREZZA INTRINSECHI E CHE HIKVISION DECLINA QUALSIASI RESPONSABILITÀ IN RELAZIONE A FUNZIONAMENTI ANOMALI, VIOLAZIONE DELLA RISERVATEZZA O ALTRI DANNI RISULTANTI DA ATTACCHI INFORMATICI, INFEZIONE DA VIRUS O ALTRI RISCHI LEGATI ALLA SICUREZZA SU INTERNET; TUTTAVIA, HIKVISION FORNIRÀ TEMPESTIVO SUPPORTO TECNICO, SE NECESSARIO.

L'UTENTE ACCETTA DI UTILIZZARE IL PRODOTTO IN CONFORMITÀ A TUTTE LE LEGGI VIGENTI E DI ESSERE IL SOLO RESPONSABILE DI TALE UTILIZZO CONFORME. IN PARTICOLARE, L'UTENTE È RESPONSABILE DEL FATTO CHE L'UTILIZZO DEL PRODOTTO NON VIOLI DIRITTI DI TERZI COME, SOLO A TITOLO DI ESEMPIO, DIRITTI DI PUBBLICITÀ, DIRITTI DI PROPRIETÀ INTELLETTUALE O DIRITTI RELATIVI ALLA PROTEZIONE DEI DATI E ALTRI DIRITTI RIGUARDANTI LA PRIVACY. L'UTENTE NON UTILizzerà IL PRODOTTO IN MODI PROIBITI, COME, TRA GLI ALTRI, LA PRODUZIONE DI ARMI DI DISTRUZIONE DI MASSA, LO SVILUPPO O LA PRODUZIONE DI ARMI CHIMICHE

O BIOLOGICHE, QUALSIASI ATTIVITÀ SVOLTA IN CONTESTI CORRELATI A ESPLOSIVI NUCLEARI O COMBUSTIBILI NUCLEARI NON SICURI O ATTIVITÀ CHE CAUSINO VIOLAZIONI DEI DIRITTI UMANI.

IN CASO DI CONFLITTO TRA IL PRESENTE MANUALE E LA LEGGE VIGENTE, PREVARRÀ QUEST'ULTIMA.

Informazioni sulle norme

Informazioni sulle norme FCC

Nota: eventuali modifiche o alterazioni non espressamente approvate dal soggetto responsabile della conformità possono annullare il diritto dell'utilizzatore a usare lo strumento.

Conformità alle norme FCC: questo strumento è stato collaudato ed è risultato conforme ai limiti stabiliti per i dispositivi digitali di classe B, ai sensi della parte 15 delle norme FCC. Questi limiti sono destinati a fornire una protezione ragionevole contro le interferenze dannose in ambiente residenziale. Questo strumento genera, utilizza e può irradiare energia a radiofrequenza e se non viene installato e utilizzato secondo le istruzioni può causare interferenze dannose alle comunicazioni radio. Tuttavia non è possibile garantire che non si verifichino interferenze in un'installazione specifica. Se lo strumento dovesse causare interferenze dannose alla ricezione radiofonica o televisiva (per verificarlo è possibile spegnere e riaccendere lo strumento), si può cercare di eliminare le interferenze nei modi seguenti:

- Riorientare o riposizionare l'antenna di ricezione.
- Aumentare la distanza tra l'apparecchio e il ricevitore.
- Collegare il dispositivo a una presa su un circuito diverso da quello a cui è collegato il ricevitore.
- Consultare un rivenditore o un tecnico radio/TV.

Installare e utilizzare l'apparecchiatura mantenendo una distanza di almeno 20 cm tra il radiatore e il proprio corpo.

Condizioni delle norme FCC

Questo dispositivo è conforme alla parte 15 delle norme FCC. L'utilizzo è soggetto alle due condizioni seguenti:

1. Il dispositivo non deve causare interferenze dannose.
2. Il dispositivo deve accettare qualsiasi interferenza ricevuta, comprese quelle che potrebbero comprometterne il funzionamento.

Dichiarazione di conformità UE



Questo prodotto e gli eventuali accessori in dotazione sono contrassegnati con il marchio "CE" e sono quindi conformi alle norme europee armonizzate vigenti di cui alla direttiva EMC 2014/30/UE e alla direttiva RoHS 2011/65/UE



2012/19/UE (direttiva RAEE): i prodotti contrassegnati con il presente simbolo non possono essere smaltiti come rifiuti domestici indifferenziati nell'Unione europea. Per lo smaltimento corretto, restituire il prodotto al rivenditore in occasione dell'acquisto di una nuova apparecchiatura o smaltirlo nei punti di raccolta autorizzati. Ulteriori informazioni sono disponibili sul sito: www.recyclethis.info.



2006/66/CE (direttiva batterie): questo prodotto contiene una batteria e non è possibile smaltirlo con i rifiuti domestici indifferenziati nell'Unione europea. Fare riferimento alla documentazione del prodotto per le informazioni specifiche sulla batteria. La batteria è contrassegnata con il presente simbolo, che potrebbe includere le sigle di cadmio (Cd), piombo (Pb) o mercurio (Hg). Per lo smaltimento corretto, restituire la batteria al rivenditore locale o smaltirla nei punti di raccolta autorizzati. Ulteriori informazioni sono disponibili sul sito: www.recyclethis.info

Conformità alla normativa ICES-003 Industry Canada

Il presente dispositivo soddisfa i requisiti degli standard CAN ICES-3 (B)/NMB-3(B).

Il presente dispositivo è conforme alle norme di Industry Canada per le apparecchiature non soggette a licenza RSS. L'utilizzo è soggetto alle due condizioni seguenti:

- (1) Il dispositivo non deve causare interferenze.
- (2) Il dispositivo deve accettare qualsiasi interferenza, incluse quelle che potrebbero causare un funzionamento improprio dello stesso.

Ai sensi delle norme di Industry Canada, questo trasmettitore radio può funzionare solo con un'antenna del tipo e con il guadagno massimo (o inferiore) approvati per il trasmettitore da Industry Canada. Per ridurre potenziali interferenze radio ad altri utenti, il tipo di antenna e il suo guadagno devono essere scelti in modo tale che la potenza isotopica irradiata equivalente (EIRP) non sia superiore a quella necessaria per una comunicazione efficace.

Installare e utilizzare l'apparecchiatura a una distanza di almeno 20 cm tra il radiatore e il proprio corpo.

Istruzioni per la sicurezza

Le presenti istruzioni hanno lo scopo di garantire che il prodotto venga utilizzato in modo corretto, evitando situazioni di pericolo o danni materiali.

Leggi e regolamenti

- Utilizzare il dispositivo rispettando rigorosamente le norme locali in materia di sicurezza elettrica.

Trasporto

- Per trasportare il dispositivo, riporlo nella confezione originale o in una analoga.
- Conservare tutti gli imballaggi dopo l'apertura in caso di necessità futura. In caso di guasti, sarà necessario inviare il dispositivo al sito di produzione con l'imballaggio originale. Il trasporto senza l'imballaggio originale può causare danni al dispositivo; in tal caso il produttore declina ogni responsabilità.
- Non lasciar cadere il prodotto e non sottoporlo a impatti. Tenere il dispositivo lontano da interferenze magnetiche.

Alimentazione

- La tensione in ingresso deve essere conforme alla norma IEC61010-1 sulle fonti di alimentazione limitate (5 VCC; 2 A). Per informazioni dettagliate, consultare le specifiche tecniche.
- Verificare che la spina sia correttamente inserita nella presa di corrente.
- NON collegare più dispositivi a un solo alimentatore, per evitare surriscaldamenti o rischi di incendio causati da sovraccarichi.

Batteria

- Uno scorretto utilizzo della batteria o una sua errata sostituzione possono causare il rischio di esplosioni. Sostituirla soltanto con una batteria dello stesso tipo o equivalente. Il tipo di batteria è E97-13-1S1P26650. Smaltire le batterie esaurite secondo le istruzioni del produttore.
- Non usare il caricabatterie in dotazione per caricare altri tipi di batterie. Verificare che durante la ricarica non ci siano materiali infiammabili nel raggio di 2 m dal caricabatterie.
- Se la batteria rimane inutilizzata per lunghi periodi, caricarla completamente ogni sei mesi per garantire una lunga durata. In caso contrario potrebbe subire danni.
- NON collocare la batteria vicino a una fonte di calore o fuoco. Evitare la luce diretta del sole.
- NON ingoiare la batteria per evitare ustioni chimiche.
- Tenere la batteria fuori dalla portata dei bambini.

Manutenzione

- Se il prodotto non funziona correttamente, rivolgersi al rivenditore o al centro di assistenza più vicino. Decliniamo qualsiasi responsabilità in relazione a problemi causati da interventi di riparazione o manutenzione non autorizzati.

- Alcuni componenti (ad esempio, il condensatore elettrolitico) devono essere sostituiti periodicamente. La durata media di tali elementi è variabile, quindi devono essere controllati regolarmente. Contattare il rivenditore per i dettagli.
- Se necessario, pulire delicatamente il dispositivo con un panno pulito imbevuto di una piccola quantità di alcool etilico.
- Se il prodotto non funziona correttamente, rivolgersi al rivenditore o al centro di assistenza più vicino. Decliniamo qualsiasi responsabilità in relazione a problemi causati da interventi di riparazione o manutenzione non autorizzati.

Ambiente di utilizzo

- NON esporre il dispositivo ad ambienti estremamente caldi, freddi, polverosi, corrosivi, salino-alcalini o umidi. Verificare che l'ambiente di utilizzo soddisfi i requisiti del dispositivo. La temperatura di funzionamento del dispositivo è compresa tra -10 °C e 50 °C (da 14 °F a 122 °F), l'umidità di funzionamento non deve superare il 90%.
- Questo dispositivo può essere utilizzato in sicurezza solo in regioni al di sotto dei 2000 metri sul livello del mare.
- Collocare il dispositivo in un ambiente asciutto e ben ventilato.
- NON esporre il dispositivo a radiazioni elettromagnetiche intense o ad ambienti polverosi.
- NON orientare l'obiettivo verso il sole o altre luci intense.
- Quando si utilizzano apparecchiature laser, non esporre l'obiettivo del dispositivo al raggio laser, che potrebbe bruciarlo.

Emergenza

- Se il dispositivo emette fumo, odori o rumori, spegnerlo immediatamente e scollegare il cavo di alimentazione, quindi rivolgersi a un centro di assistenza.

Laser



Avvertenza: la radiazione laser emessa dall'apparecchio può causare lesioni agli occhi, ustioni alla pelle o combustione di sostanze infiammabili. Prima di attivare la funzione Luce supplementare, verificare che non vi siano persone o sostanze infiammabili davanti all'obiettivo laser.

Indirizzo del produttore

N. 555 Qianmo Road, Binjiang District, Hangzhou 310052, Cina
Hangzhou Hikvision Digital Technology Co., Ltd

PT

1. Breve descrição

A câmara termográfica portátil é uma câmara com capacidade para imagens óticas e térmicas. O detetor de IV de alta sensibilidade integrado e o sensor de elevado desempenho detetam as alterações de temperatura e medem a temperatura em tempo real. Tem uma amplitude de medição da temperatura de -20 °C a 550 °C (-4 °F a 1022 °F) com um intervalo de precisão de ± 2 °C (ou 2%). Ajuda os utilizadores a detetarem os riscos e a reduzirem a probabilidade de perda de recursos.

Poderá ligar o dispositivo ao software do cliente Hik-Thermal para ver a visualização em direto, a captura e a gravação, etc. no seu telefone. Leia o código QR para fazer transferir o software do cliente.



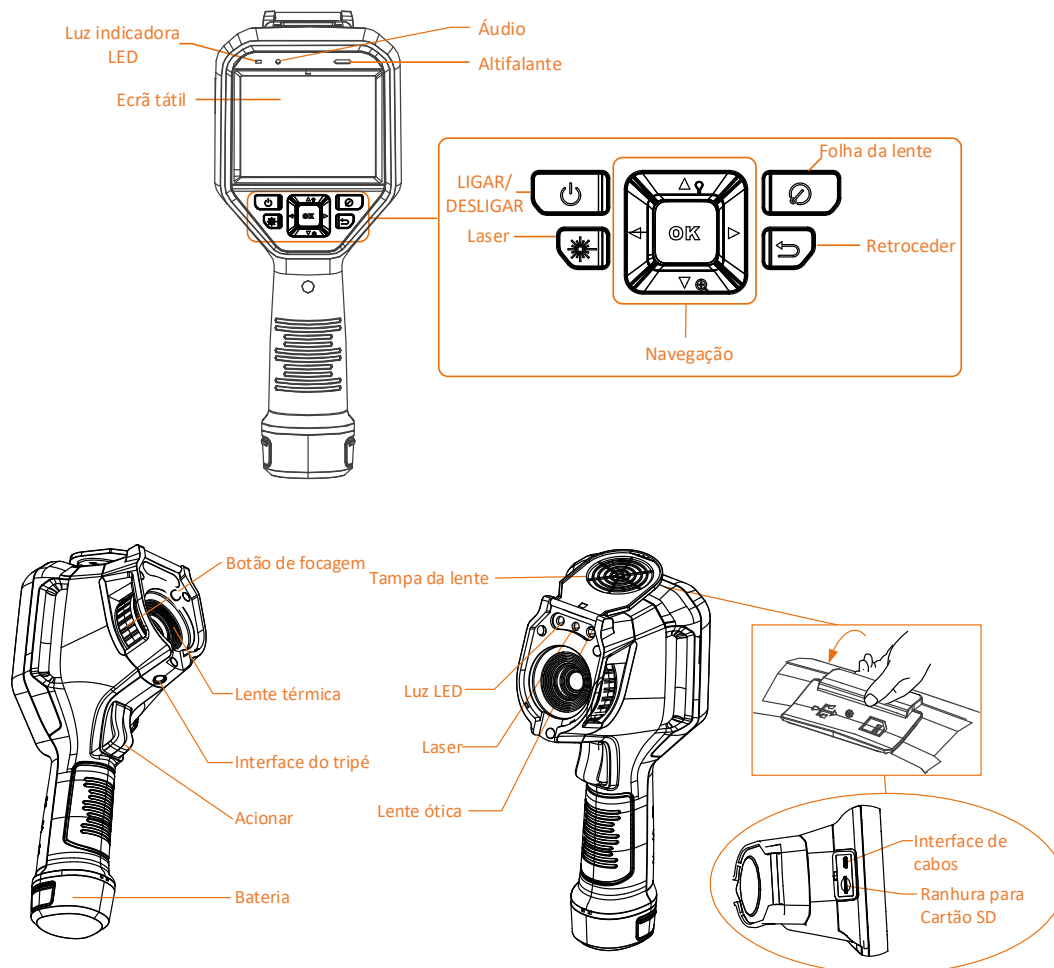
Sistema Android



Sistema iOS

Poderá utilizar o iVMS 4800 para analisar e gerar relatórios de imagens offline. Transfira o cliente aqui: <https://www.hikvision.com/en/support/download/software/ivms-4800-temperature-measurement-/>.

2. Aspeto



Componente	Função
Botão de navegação	Modo de menu: <ul style="list-style-type: none"> ● Prima ∇, Δ, \triangleright e \triangleleft para seleccionar os parâmetros. ● Prima OK para confirmar.
	Modo não-menu: <ul style="list-style-type: none"> ● Prima Δ para ligar/desligar o suplemento de luz LED. ● Prima ∇ para iniciar o zoom digital.
Botão de laser	Manter o botão premido para ligar o laser e libertar o botão para o desligar.
Botão de folha da lente	Cobrir a lente para efetuar a correção.
Botão Retroceder	Sair do menu ou regressar ao menu anterior.

Componente	Função
Botão de focagem	Ajustar a distância focal da lente.
Acionar	Premir o gatilho para capturar. Segurar no gatilho para gravar vídeos.
Interface de cabos	O dispositivo pode ser carregado e os ficheiros podem ser exportados com o cabo fornecido.

3. Carregar o dispositivo

Após o arranque do dispositivo, a OSD (apresentação no ecrã) mostra o estado da bateria. Quando a bateria estiver fraca, carregue o dispositivo e garanta que este funciona adequadamente.

3.1 Carregar dispositivo através da interface de cabos

Passos

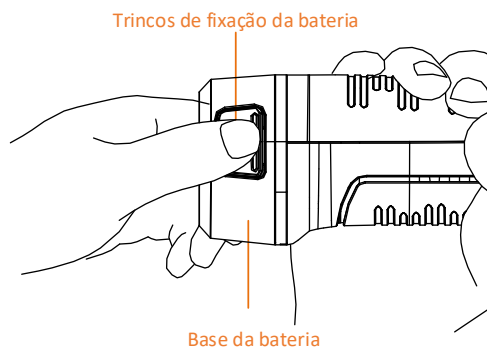
1. Levante a cobertura da interface.
2. Ligue o cabo para carregar o dispositivo.

3.2 Carregar o dispositivo através da base de carregamento

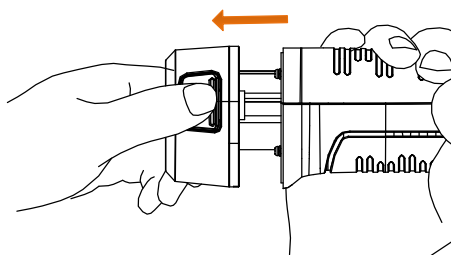
A base de carregamento tem de ser comprada separadamente.

Passos:

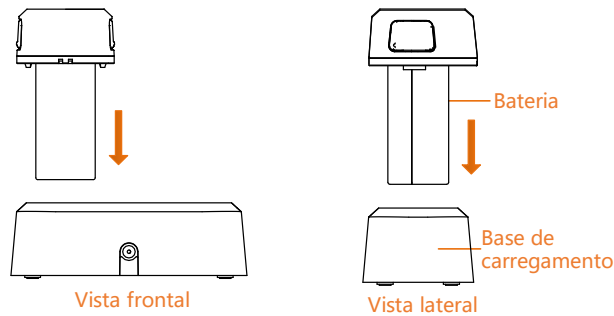
1. Segure no dispositivo e prima os dois trincos de fixação da bateria do dispositivo.



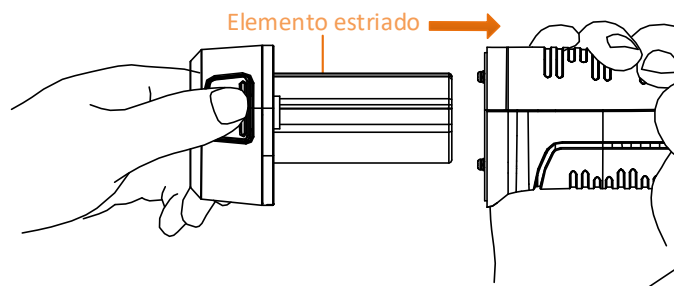
2. Segure nos bloqueios e puxe a base da bateria para retirar a bateria.



3. Insira a bateria na base de carregamento. Poderá ver o estado de carregamento na lâmpada piloto na base de carregamento.



4. Quando a bateria está totalmente carregada, puxe a bateria para fora da base de carregamento.
5. Alinhe a parte estriada na bateria com o entalhe do dispositivo e coloque a bateria no dispositivo.



Manual de utilizador



Informação legal

Manual de utilizador

©2020 Hangzhou Hikvision Digital Technology Co., Ltd. Todos os direitos reservados.

Acerca deste Manual

O Manual inclui instruções para utilizar e gerir o produto. As fotografias, os gráficos, as imagens e todas as outras informações doravante apresentadas destinam-se apenas a fins de descritivos e informativos. As informações que constam do Manual estão sujeitas a alteração, sem aviso prévio, devido a atualizações de firmware ou a outros motivos. Pode encontrar a versão mais recente deste Manual no website da Hikvision (<https://www.hikvision.com>).

Utilize este Manual sob orientação e com a assistência de profissionais formados neste Produto.

Marcas comerciais

HIKVISION e outros logótipos e marcas comerciais da Hikvision são propriedade da Hikvision em vários territórios.

Outras marcas comerciais e logótipos mencionados são propriedade dos respetivos proprietários.

Aviso legal

NA MEDIDA MÁXIMA PERMITIDA PELA LEI APLICÁVEL, ESTE MANUAL E O PRODUTO DESCRITO, COM O SEU HARDWARE, SOFTWARE E FIRMWARE, SÃO FORNECIDOS “TAL COMO ESTÃO” E “COM TODAS AS SUAS FALHAS E ERROS”. A HIKVISION EXCLUI, DE FORMA EXPLÍCITA OU IMPLÍCITA, GARANTIAS DE, INCLUINDO E SEM LIMITAÇÃO, COMERCIALIZAÇÃO, QUALIDADE DO SERVIÇO OU ADEQUAÇÃO A UMA FINALIDADE ESPECÍFICA. A SUA UTILIZAÇÃO DESTE PRODUTO É FEITA POR SUA CONTA E RISCO. EM NENHUMA CIRCUNSTÂNCIA, A HIKVISION SERÁ RESPONSÁVEL POR SI EM RELAÇÃO A QUAISQUER DANOS ESPECIAIS, CONSEQUENCIAIS, INCIDENTAIS OU INDIRETOS, INCLUINDO, ENTRE OUTROS, DANOS PELA PERDA DE LUCROS COMERCIAIS, INTERRUPTÃO DA ATIVIDADE, PERDA DE DADOS, CORRUPÇÃO DE SISTEMAS OU PERDA DE DOCUMENTAÇÃO SEJA COM BASE NUMA VIOLAÇÃO DO CONTRATO, ATOS ILÍCITOS (INCLUÍDO NEGLIGÊNCIA), RESPONSABILIDADE PELO PRODUTO OU, DE OUTRO MODO, RELACIONADA COM A UTILIZAÇÃO DO PRODUTO, AINDA QUE A HIKVISION TENHA SIDO AVISADA SOBRE A POSSIBILIDADE DE TAIS DANOS OU PERDAS.

O UTILIZADOR RECONHECE QUE A NATUREZA DA INTERNET OFERECE RISCOS DE SEGURANÇA INERENTES E QUE A HIKVISION NÃO SERÁ RESPONSABILIZADA POR UM FUNCIONAMENTO ANORMAL, PERDA DE PRIVACIDADE OU OUTROS DANOS RESULTANTES DE ATAQUES INFORMÁTICOS, ATAQUES DE PIRATARIA, INFEÇÃO POR VÍRUS OU OUTROS RISCOS ASSOCIADOS À SEGURANÇA DA INTERNET. NO ENTANTO, A HIKVISION PRESTARÁ APOIO TÉCNICO ATEMPADO, SE SOLICITADO.

O UTILIZADOR ACEITA UTILIZAR ESTE PRODUTO EM CONFORMIDADE COM TODAS AS LEIS APLICÁVEIS E SER O ÚNICO RESPONSÁVEL POR GARANTIR QUE A SUA UTILIZAÇÃO É CONFORME À LEI APLICÁVEL.

PARTICULARMENTE, O UTILIZADOR É O RESPONSÁVEL PELA UTILIZAÇÃO DESTE PRODUTO DE MODO QUE NÃO INFRIJA OS DIREITOS DE TERCEIROS, INCLUINDO, ENTRE OUTROS, OS DIREITOS DE PUBLICIDADE, DIREITOS DE PROPRIEDADE INTELECTUAL OU DE PROTEÇÃO DE DADOS, OU QUAISQUER OUTROS DIREITOS DE PRIVACIDADE. O UTILIZADOR NÃO PODERÁ UTILIZAR ESTE PRODUTO PARA QUAISQUER UTILIZAÇÕES FINAIS PROIBIDAS, INCLUINDO O DESENVOLVIMENTO OU PRODUÇÃO DE ARMAS DE DESTRUIÇÃO MACIÇA, DESENVOLVIMENTO OU PRODUÇÃO DE QUÍMICOS OU ARMAS BIOLÓGICAS, QUAISQUER ATIVIDADES DESENVOLVIDAS NO ÂMBITO DE EXPLOSIVOS NUCLEARES OU CICLOS DE COMBUSTÍVEL NUCLEAR INSEGURO OU PARA APOIAR ABUSOS AOS DIREITOS HUMANOS.

NA EVENTUALIDADE DA OCORRÊNCIA DE ALGUM CONFLITO ENTRE ESTE MANUAL E A LEGISLAÇÃO APLICÁVEL, ESTA ÚLTIMA PREVALECE.

Informações sobre as normas reguladoras

Informações sobre a Comissão Federal de Comunicações (FCC)

Tenha em conta que as alterações ou modificações não expressamente aprovadas pela parte responsável pela conformidade poderão inibir o direito do utilizador operar o equipamento.

Conformidade com a Comissão Federal de Comunicações (FCC): Este equipamento foi testado e encontra-se em conformidade com os limites dos dispositivos digitais de Classe B, nos termos da parte 15 das normas da FCC. Estes limites foram criados para providenciar uma proteção razoável contra eventuais interferências prejudiciais numa instalação residencial. Este equipamento gera, utiliza e pode emitir energia de frequência de rádio e, se não for instalado e utilizado de acordo com as instruções, pode provocar interferências prejudiciais às comunicações por rádio. No entanto, não há quaisquer garantias da ocorrência de interferências numa instalação particular. Se este equipamento efetivamente provocar interferências prejudiciais à recepção de rádio ou televisão (que poderá determinar desligando e ligando o equipamento), o utilizador é encorajado a tentar corrigir a interferência aplicando uma ou mais das seguintes medidas:

- Reorientar ou reposicionar a antena de recepção.
- Aumentar a distância entre o equipamento e o recetor.
- Ligar o equipamento a uma tomada num circuito diferente daquele onde se encontra ligado o recetor.
- Consultar o revendedor ou um técnico com experiência em rádio/TV para obter assistência.

Este equipamento deve ser instalado e utilizado a uma distância mínima de 20 cm entre o radiador e o corpo.

Condições da FCC

Este dispositivo está em conformidade com a parte 15 das Normas da FCC. O seu funcionamento está sujeito às duas seguintes condições:

1. Este dispositivo não pode provocar interferências prejudiciais.
2. Este dispositivo tem de aceitar quaisquer interferências recebidas, incluindo interferências que possam causar um funcionamento indesejado.

Declaração de conformidade da UE



Este produto e, se aplicável, os acessórios fornecidos com o mesmo, têm a marcação "CE" e estão, por isso, em conformidade com os padrões europeus aplicáveis, indicados na diretiva CEM 2014/30/UE e na diretiva RSP 2011/65/UE.



2012/19/UE (Diretiva REEE): Os produtos com este símbolo não podem ser eliminados como resíduos urbanos indiferenciados na União Europeia. Para uma reciclagem adequada, devolva este produto ao seu fornecedor local quando adquirir um novo equipamento equivalente ou elimine-o através dos pontos de recolha adequados. Para mais informações, consulte: www.recyclethis.info.



2006/66/CE (diretiva relativa a baterias): Este produto contém uma bateria que não pode ser eliminada como resíduo urbano indiferenciado na União Europeia. Consulte a documentação do produto para obter informações específicas acerca da bateria. A bateria está marcada com este símbolo, que poderá incluir inscrições para indicar a presença de cádmio (Cd), chumbo (Pb), ou mercúrio (Hg). Para reciclar o produto de forma adequada, devolva a bateria ao seu fornecedor ou coloque-a num ponto de recolha apropriado. Para mais informações, consulte: www.recyclethis.info.



Conformidade com a norma ICES-003 do Industry Canada

Este dispositivo está em conformidade com os requisitos padrão CAN ICES-3 (B)/NMB-3(B).

Este dispositivo está em conformidade com os padrões RSS isentos de licença do Industry Canada. O seu funcionamento está sujeito às duas seguintes condições:

- (1) este dispositivo não pode causar interferência e
- (2) este dispositivo deve aceitar qualquer interferência, incluindo interferências que possam levar a que o dispositivo funcione de uma forma indesejável.

Segundo as normas do Industry Canada, é possível que este transmissor de rádio apenas possa funcionar através do uso de uma antena de um tipo e ganho máximo (ou menor) aprovado para o transmissor pelo Industry Canada. De modo a reduzir possíveis interferências radioelétricas em dispositivos de outros utilizadores, o tipo de antena e o seu ganho devem ser escolhidos de forma a que a potência isotrópica radiada equivalente (PIRE) não seja maior do que a necessária para uma comunicação bem-sucedida.

Este equipamento deve ser instalado e utilizado a uma distância mínima de 20 cm entre o radiador e o corpo.

Instruções de segurança

Estas instruções destinam-se a garantir que o utilizador possa utilizar o produto corretamente para evitar perigos ou perdas materiais.

Legislação e regulamentos

- A utilização do produto deve estar em total conformidade com as normais locais de manuseamento de aparelhos elétricos.

Transporte

- Mantenha o dispositivo na embalagem original ou similar, quando o transportar.

- Depois da abertura da embalagem do produto, guarde todos invólucros, para uso posterior. Em caso de qualquer avaria, deve devolver o dispositivo à fábrica com o invólucro original. O transporte sem o invólucro original pode resultar em danos no dispositivo, sendo que a empresa não assumirá quaisquer responsabilidades.
- Não deixe o produto cair, nem o sujeite a impactos físicos. Mantenha o dispositivo longe de interferências magnéticas.

Alimentação elétrica

- A tensão de entrada deve corresponder à Fonte de Potência Limitada (5 VCC, 2 A), de acordo com a norma IEC61010-1. Consulte as especificações técnicas para obter informações detalhadas.
- Certifique-se de que a ficha está devidamente ligada à tomada.
- NÃO ligue vários dispositivos a um adaptador de energia, para evitar o superaquecimento e riscos de incêndio provocados por sobrecarga.

Bateria

- A utilização ou substituição inadequadas da bateria poderá resultar em risco de explosão. Substitua apenas por uma bateria do mesmo tipo ou de tipo equivalente. O tipo de bateria é E97-13-1S1P26650. Elimine as baterias usadas em conformidade com as instruções fornecidas pelo fabricante da bateria.
- Não carregue outro tipo de bateria com o carregador fornecido. Certifique-se de que não existe material inflamável no raio de dois metros do carregador enquanto o carregamento é efetuado.
- Em caso de armazenamento prolongado da bateria, certifique-se de que esta é totalmente carregada de 6 em 6 meses, garantindo, assim, a sua qualidade. Caso contrário, poderão ocorrer danos.
- NÃO coloque a bateria perto de uma fonte de calor ou do fogo. Evite a luz solar direta.
- NÃO engula a bateria para evitar queimaduras químicas.
- NÃO coloque a bateria ao alcance das crianças.

Manutenção

- Se o produto não funcionar corretamente, contacte o seu fornecedor ou o seu centro de serviços local. Não assumimos qualquer responsabilidade por problemas causados por reparações ou manutenções não autorizadas.
- Alguns componentes do dispositivo (por exemplo, capacitor eletrolítico) necessita de substituição regular. A duração média varia, portanto, recomenda-se verificação periódica. Entre em contacto com o respetivo revendedor para obter detalhes.
- Limpe o dispositivo suavemente com um pano limpo e uma pequena quantidade de etanol, se necessário.
- Se o produto não funcionar corretamente, contacte o seu fornecedor ou o seu centro de serviços local. Não assumimos qualquer responsabilidade por problemas causados por reparações ou manutenções não autorizadas.

Ambiente da utilização

- NÃO exponha o dispositivo a ambientes extremamente quentes, frios, poeirentos, corrosivos, alcalino salinos ou húmidos. Certifique-se de que o ambiente de funcionamento do dispositivo cumpre os requisitos do mesmo. A temperatura de funcionamento do dispositivo deve ser de -10 °C a 50 °C (14 °F a 122 °F) e a humidade de funcionamento deve ser de 90% ou inferior.
- Este dispositivo só pode ser utilizado em segurança na região abaixo dos 2000 metros acima do nível do mar.
- Coloque o dispositivo num ambiente seco e bem ventilado.
- NÃO exponha o dispositivo a radiação eletromagnética elevada nem a ambientes com pó.
- NÃO direcione a lente para o sol nem para qualquer outra luz brilhante.
- Quando estiver a utilizar qualquer equipamento a laser, verifique se a lente do dispositivo não se encontra exposta ao feixe de laser, caso contrário pode queimar.

Emergência

- Caso o dispositivo emita fumo, odores ou ruídos, desligue a alimentação elétrica de imediato, retire o cabo de alimentação da tomada e contacte o centro de assistência.

Laser



Aviso: a radiação laser emitida pelo dispositivo pode provocar lesões oculares, queimaduras na pele ou a combustão de substâncias inflamáveis. Antes de ativar a função de Luz suplementar, certifique-se de que não existem pessoas ou substâncias inflamáveis diante da lente laser.

Endereço do fabricante

No.555 Qianmo Road, Binjiang District, Hangzhou 310052, China
Hangzhou Hikvision Digital Technology Co., Ltd

NL

1. Korte beschrijving

De thermografische handcamera is een camera die gebruik maakt van zowel optische als warmtebeeldtechnologie. De ingebouwde zeer gevoelige IR-detector en krachtige sensor detecteren de temperatuurverandering en meten de actuele temperatuur. Het heeft een temperatuurmeetbereik van -20 °C tot 550 °C met een nauwkeurigheid bereik van ± 2 °C (of 2%). Hiermee kunnen gebruikers risico's detecteren en wordt de kans op eigendomsverlies kleiner.

U kunt het apparaat verbinden met de Hik-Thermal-clientsoftware om live weergave, momentopname, opname, enz. op uw telefoon te bekijken. Scan de QR-code om de clientsoftware te downloaden.



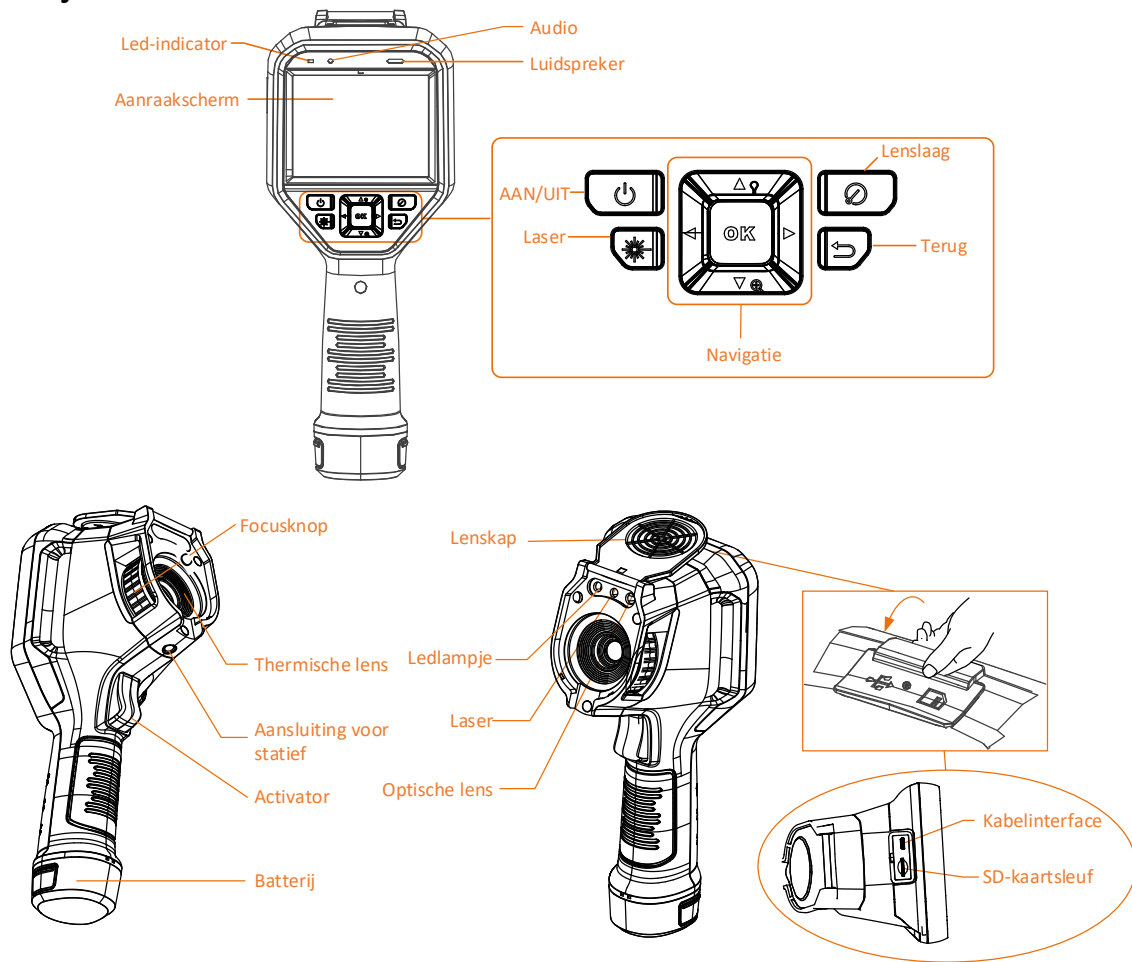
Android-systeem



iOS-systeem

U kunt iVMS 4800 gebruiken om beeldrapporten offline te analyseren en te genereren. Download de client hier: <https://www.hikvision.com/en/support/download/software/ivms-4800-temperature-measurement/>.

2. Uiterlijk



Component	Functie
Navigatietoets	Menumodus: ● Druk op ∇ , \triangle , \triangleright en \triangleleft om parameters te selecteren. ● Druk op OK om te bevestigen.
	Niet-menumodus: ● Druk op \triangle om het aanvullende ledlampje in of uit te schakelen. ● Druk op ∇ om de digitale zoom te starten.
Lasertoets	Houd de knop ingedrukt om de laser in te schakelen en laat de knop los om deze uit te schakelen.
Lenslaagtoets	Bedek de lens om de correctie uit te voeren.
Terugtoets	Hiermee verlaat u het menu of keert u terug naar het vorige menu.
Focusknop	Verstel de brandpuntsafstand van de lens.
Activator	Druk de activator in om momentopnames te maken. Houd de activator ingedrukt om video's op te nemen.
Kabelinterface	U kunt het apparaat opladen en bestanden exporteren met de meegeleverde kabel.

3. Het apparaat opladen

Nadat het apparaat is opgestart, geeft het scherm de batterijstatus weer. Laad het apparaat op als de batterij bijna leeg is om een correcte werking te garanderen.

3.1 Het apparaat opladen via de kabelinterface

Stappen

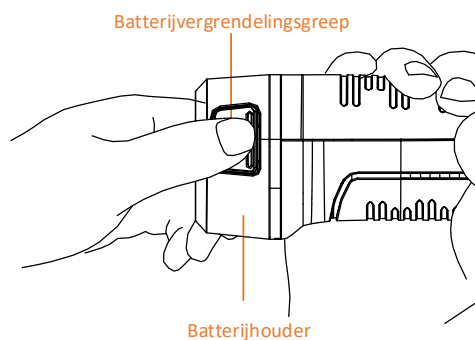
1. Til het lipje van de interface.
2. Sluit de kabel aan om het apparaat op te laden.

3.2 Het apparaat opladen via een oplaadstation

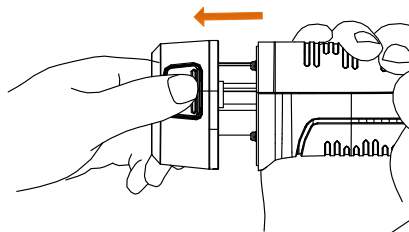
Een oplaadstation dient apart te worden aangeschaft.

Stappen:

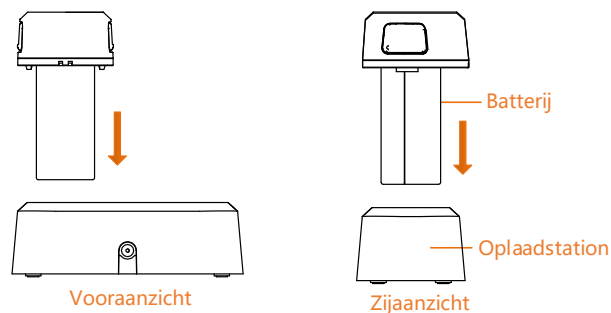
1. Houd het apparaat vast en druk beide batterijvergrendelingsgrepen van het apparaat in.



2. Houd de grepen in en trek aan de batterijhouder om de batterij eruit te halen.

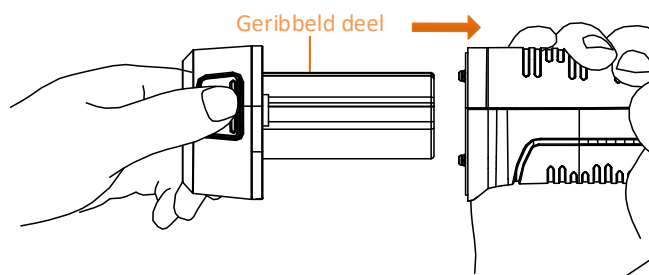


3. Plaats de batterij in het oplaadstation. U kunt de laadstatus zien via het controlelampje op het oplaadstation.



4. Als de batterij volledig is opgeladen, haalt u de batterij uit het oplaadstation.

5. Lijn het geribbelde deel op de batterij uit met de inkeping van het apparaat en plaats de batterij in het apparaat.



Gebruiksaanwijzing



Juridische informatie

Gebruiksaanwijzing

©2020 Hangzhou Hikvision Digital Technology Co., Ltd. Alle rechten voorbehouden.

Over deze handleiding

De handleiding bevat instructies voor het gebruik en beheer van het product. Foto's, grafieken, afbeeldingen en alle andere informatie hierna worden verstrekt voor beschrijving en uitleg. De informatie in de handleiding is onderhevig aan verandering, zonder voorafgaande kennisgeving, als gevolg van firmware-updates of andere redenen. De nieuwste versie van deze handleiding is te vinden op de website van Hikvision (<https://www.hikvision.com>).

Gebruik deze handleiding onder begeleiding en ondersteuning van professionals die zijn opgeleid voor het ondersteunen van het product.

Handelsmerken

HIKVISION en andere handelsmerken en logo's van Hikvision zijn eigendom van Hikvision in diverse rechtsgebieden.

Andere handelsmerken en logo's zijn het eigendom van hun respectieve eigenaren.

Vrijwaringsclausule

VOOR ZOVER MAXIMAAL TOEGESTAAN OP GROND VAN HET TOEPASSELIJK RECHT, WORDEN DEZE HANDLEIDING EN HET OMSCHREVEN PRODUCT, INCLUSIEF HARDWARE, SOFTWARE EN FIRMWARE, GELEVERD 'ZOALS ZE ZIJN', INCLUSIEF 'FOUTEN EN GEBREKEN'. HIKVISION GEEFT GEEN GARANTIES, EXPLICIET NOCH IMPLICIET, INCLUSIEF ZONDER BEPERKING OMTRENT VERKOOPBAARHEID, TEVREDENHEID OMTRENT KWALITEIT OF GESCHIKTHEID VOOR EEN BEPAALD DOEL. HET GEBRUIK VAN HET PRODUCT DOOR U IS OP EIGEN RISICO. IN GEEN GEVAL IS HIKVISION VERANTWOORDELIJK VOOR SPECIALE, BIJKOMENDE, INCIDENTELE OF INDIRECTE SCHADE, WAARONDER, ONDER ANDERE, SCHADE VAN VERLIES AAN ZAKELIJKE WINST, ZAKELIJKE ONDERBREKING OF VERLIES VAN GEGEVENS, CORRUPTIE OF SYSTEMEN, OF VERLIES VAN DOCUMENTATIE, ONGEACHT OF DIT VOORTVLOEIT UIT CONTRACTBREUK, BENADELING (INCLUSIEF NALATIGHEID), PRODUCTAANSPRAAKELIJKHEID OF ANDERS, MET BETREKKING TOT HET PRODUCT, ZELFS ALS HIKVISION OP DE HOOGTE IS GEBRACHT VAN ZULKE SCHADE OF VERLIES.

U ERKENT DAT DE AARD VAN INTERNET INHERENTE VEILIGHEIDSRISICO'S MET ZICH MEE BRENGT, EN HIKVISION GEEN ENKELE VERANTWOORDELIJKHEID NEEMT VOOR ABNORMALE WERKING, PRIVACYLEKKEN OF ANDERE SCHADE DIE VOORTVLOEIT UIT CYBERAANVAL, HACKERAANVAL, VIRUSINFECTIE, OF ANDERE INTERNETVEILIGHEIDSRISICO'S; HIKVISION BIEDT INDIEN NODIG ECHTER TIJDELIJK TECHNISCHE ONDERSTEUNING.

U GAAT AKKOORD MET HET GEBRUIK VAN DIT PRODUCT IN OVEREENSTEMMING MET ALLE TOEPASBARE WETTEN EN UITSLUITEND U BENT VERANTWOORDELIJK VOOR DE GARANTIE DAT UW GEBRUIK OVEREENSTEMT MET DE TOEPASBARE WET. U BENT VOORAL VERANTWOORDELIJK DAT HET GEBRUIK VAN DIT PRODUCT GEEN INBREUK MAAKT OP DE RECHTEN VAN DERDEN, INCLUSIEF EN ZONDER BEPERKING DE RECHTEN VAN PUBLICITEIT, INTELLECTUEEL EIGENDOM, OF GEGEVENSBESCHERMING EN ANDERE PRIVACYRECHTEN. U MAG DIT PRODUCT NIET GEBRUIKEN VOOR ENIGE ONWETTIG EINDGEBRUIK, MET INBEGRIIP VAN DE ONTWIKKELING OF DE PRODUCTIE VAN MASSAVERNIEGINGSWAPENS, DE ONTWIKKELING OF DE PRODUCTIE VAN CHEMISCHE OF BIOLOGISCHE WAPENS, ALLE ACTIVITEITEN IN HET KADER VAN EVENTUELE NUCLEAIRE EXPLOSIEVEN OF ONVEILIGE NUCLEAIRE BRANDSTOF CYCLUS, OF TER ONDERSTEUNING VAN MENSENRECHTENSCHENDINGEN. IN HET GEVAL VAN ENIGE CONFLICTEN TUSSEN DEZE HANDLEIDING EN DE TOEPASSELIJKE WETGEVING, PREVALEERT DE LAATSTE.

Informatie met betrekking tot regelgeving

FCC-informatie

Let erop dat wijzigingen of modificaties die niet uitdrukkelijk zijn goedgekeurd door de partij die verantwoordelijk is voor de naleving, de bevoegdheid van de gebruiker om de apparatuur te gebruiken ongeldig kunnen maken.

FCC-compliantie: Deze apparatuur is getest en in overeenstemming bevonden met de limieten voor een digitaal apparaat van klasse B, conform deel 15 van de FCC-regels. Deze limieten zijn ontworpen om een redelijke bescherming te bieden tegen schadelijke interferentie bij gebruik in thuisinstallaties. Deze apparatuur genereert en gebruikt radiofrequentie-energie en kan deze uitstralen en kan schadelijke interferentie veroorzaken bij radiocommunicatie, indien deze niet in overeenstemming met de aanwijzingen wordt geïnstalleerd en gebruikt. Er is echter geen garantie dat er zich in een bepaalde installatie geen interferentie voordoet. Als deze apparatuur schadelijke interferentie veroorzaakt aan radio- of televisieontvangst, wat kan worden vastgesteld door de apparatuur uit en weer in te schakelen, wordt het de gebruiker aanbevolen om de interferentie met een of meer van de volgende maatregelen te corrigeren:

- Heroriënteer of verplaats de ontvangstantenne.
- Verhoog de scheiding tussen de apparatuur en de ontvanger.
- Sluit de apparatuur aan op een stopcontact op een ander circuit dan dat waarop de ontvanger is aangesloten.
- Raadpleeg de dealer of een ervaren radio-/tv-monteur voor hulp.

Dit apparaat moet worden geïnstalleerd en bediend met een minimale afstand van 20 cm tussen de radiator en uw lichaam.

FCC-voorwaarden

Dit apparaat voldoet aan deel 15 van de FCC-regels. Gebruik is onderworpen aan de volgende twee voorwaarden:

1. Dit apparaat mag geen schadelijke interferentie veroorzaken.
2. Dit apparaat moet alle ontvangen interferentie accepteren, inclusief interferentie die ongewenste werking tot gevolg kan hebben.

EU-conformiteitsverklaring



Dit product en - indien van toepassing - de meegeleverde accessoires dragen het merkteken "CE" en voldoen derhalve aan de toepasselijke geharmoniseerde Europese normen onder EMC-richtlijn 2014/30/EU en RoHS-richtlijn 2011/65/EU



2012/19/EU (WEEE-richtlijn): Producten die met dit symbool zijn gemarkeerd mogen binnen de Europese Unie niet worden weggegooid als ongesorteerd huishoudelijk afval. Lever dit product voor een juiste recycling in bij uw plaatselijke leverancier bij aankoop van soortgelijke nieuwe apparatuur, of breng het naar daarvoor aangewezen inzamelpunten. Raadpleeg voor meer informatie: www.recyclethis.info.



2006/66/EG (Batterijrichtlijn): Dit product bevat een batterij die binnen de Europese Unie niet mag worden weggegooid als ongesorteerd huishoudelijk afval. Zie de productdocumentatie voor specifieke informatie over de batterij. De batterij is gemarkeerd met dit symbool, dat letters kan bevatten die cadmium (Cd), lood (Pb) of kwik (Hg) aanduiden. Lever de batterij voor een juiste recycling in bij uw leverancier of bij een daarvoor aangewezen inzamelpunt. Raadpleeg voor meer informatie: www.recyclethis.info.



Naleving van Industry Canada ICES-003

Dit apparaat voldoet aan de eisen van de CAN ICES-3 (B)/NMB-3(B) normen.

Dit apparaat voldoet aan de licentievrije RSS-norm(en) van Industry Canada. Gebruik is onderworpen aan de volgende twee voorwaarden:

- (1) Dit apparaat mag geen interferentie veroorzaken, en
- (2) Dit apparaat zal alle interferentie accepteren, inclusief interferentie die een ongewenste werking van het apparaat kan veroorzaken.

Volgens de voorschriften van Industry Canada mag deze radiozender alleen werken met een antenne van een type en maximale versterking die door Industry Canada voor de zender is goedgekeurd. Om mogelijke radio-interferentie voor andere gebruikers te verminderen, moeten een antennetype en versterking worden gekozen waarmee het effectief isotroop uitgestraald vermogen niet meer is dan nodig voor succesvolle communicatie.

Dit apparaat moet worden geïnstalleerd en gebruikt met een minimale afstand van 20 cm tussen de radiator en uw lichaam.

Veiligheidsinstructies

Deze instructies zijn bedoeld om te verzekeren dat de gebruiker het product juist kan gebruiken om gevaar of verlies van eigendommen te vermijden.

Wet- en regelgeving

- Gebruik van het product moet in strikte overeenstemming met de plaatselijke elektrische veiligheidsvoorschriften plaatsvinden.

Transport

- Bewaar het apparaat in de originele of soortgelijke verpakking tijdens vervoer.
- Bewaar alle verpakkingen voor toekomstig gebruik. In het geval van een defect moet u het apparaat terugsturen naar de fabriek met de originele verpakking. Transport zonder de originele verpakking kan leiden tot schade aan het apparaat, waarvoor wij geen verantwoordelijk erkennen.
- Laat het product niet vallen en stel het apparaat niet bloot aan schokken. Houd het toestel uit de buurt van magnetische velden.

Stroomvoorziening

- De ingangsspanning moet voldoen aan de beperkte voedingsbron (5 VDC, 2 A) volgens de IEC61010-1-norm. Zie de technische specificaties voor gedetailleerde informatie.
- Zorg dat de stekker goed in het stopcontact zit.
- Sluit NOOIT meerdere apparaten aan op één voedingsadapter om oververhitting of brandgevaar door overbelasting te voorkomen.

Batterij

- Onjuist gebruik of onjuiste vervanging van de batterij kan resulteren in een explosiegevaar. Vervang hem alleen door hetzelfde of een gelijkwaardig type. Het batterijtype is E97-13-1S1P26650. Voer gebruikte batterijen af in overeenstemming met de instructies van de batterij fabrikant.
- Laad geen andere batterijtypes op met de meegeleverde oplader. Zorg tijdens het opladen dat er zich geen brandbaar materiaal binnen een straal van 2 m van de oplader bevindt.
- Voor langdurige opslag van de batterij moet u ervoor zorgen dat deze elk half jaar volledig wordt opgeladen om de kwaliteit van de batterij te waarborgen. Als u dit niet doet, kan dit leiden tot schade.
- Houd de batterij uit in de buurt van hitte- of vuurbronnen. Vermijd direct zonlicht.
- Slik de batterij niet in om chemische brandwonden te voorkomen.
- Houd de batterij buiten het bereik van kinderen.

Onderhoud

- Als het product niet goed werkt, neem dan contact op met uw leverancier of het dichtstbijzijnde servicecentrum. Wij aanvaarden geen verantwoordelijkheid voor problemen die zijn veroorzaakt door ongeautoriseerde reparatie of onderhoud.
- Een paar componenten van het apparaat (o.a. elektrolytische condensator) vereisen regelmatige vervanging. De gemiddelde levensduur varieert, dus periodieke controle wordt aanbevolen. Neem contact op met uw leverancier voor meer informatie.
- Veeg het apparaat voorzichtig schoon met een schone doek en, indien nodig, een kleine hoeveelheid ethanol.
- Als het product niet goed werkt, neem dan contact op met uw leverancier of het dichtstbijzijnde servicecentrum. Wij aanvaarden geen verantwoordelijkheid voor problemen die zijn veroorzaakt door ongeautoriseerde reparatie of onderhoud.

Gebruiksomgeving

- Stel het apparaat niet bloot aan extreem warme, koude, stoffige, corrosieve, zout-alkalische of vochtige omgevingen. Zorg dat de gebruiksomgeving voldoet aan de vereisten van het apparaat. Het apparaat werkt bij een temperatuur van -10 °C tot 50 °C en een luchtvochtigheid van 90% of minder.
- Dit apparaat kan alleen veilig worden gebruikt onder 2000 meter boven de zeespiegel.
- Plaats het apparaat in een droge en goed geventileerde omgeving.
- Stel het apparaat NIET bloot aan hoge elektromagnetische straling of stoffige omgevingen.
- Richt de lens NIET op de zon of een ander fel licht.
- Wanneer laserapparatuur in gebruik is, zorg er dan voor dat de lens van het apparaat niet wordt blootgesteld aan de laserstraal, anders kan deze doorbranden.

Noodgeval

- Als er rook, geur of geluid uit het apparaat komt, schakel het dan onmiddellijk uit, haal de stekker van het netsnoer uit het stopcontact en neem contact op met het servicecentrum.

Laser



Waarschuwing: De laserstraling van het apparaat kan oogletsel en verbranding van de huid of brandbare stoffen veroorzaken. Zorg, voordat u de kunstlichtfunctie inschakelt, dat er zich geen mensen of brandbare stoffen voor de laserlens bevinden.

Adres fabrikant

Qianmo Road 555, district Binjiang, Hangzhou 310052, China
Hangzhou Hikvision Digital Technology Co., Ltd

CS

1. Stručný popis

Ruční termokamera je kamera, která je vybavena funkcí optického i termálního snímání. Vestavěný vysoce citlivý detektor infračerveného záření a vysoce výkonný senzor detekují změny teploty a měří teplotu v reálném čase. Její rozsah měření teploty činí -20 °C až 550 °C s přesností $\pm 2\text{ °C}$ (nebo 2 %). Pomáhá uživatelům zjistit rizika a snižuje pravděpodobnost ztrát na majetku.

Zařízení můžete připojit ke klientskému softwaru Hik-Thermal a aktivovat živé zobrazení, snímání a záznam apod. ve vašem telefonu. Ke stažení klientského softwaru naskenujte kód QR.



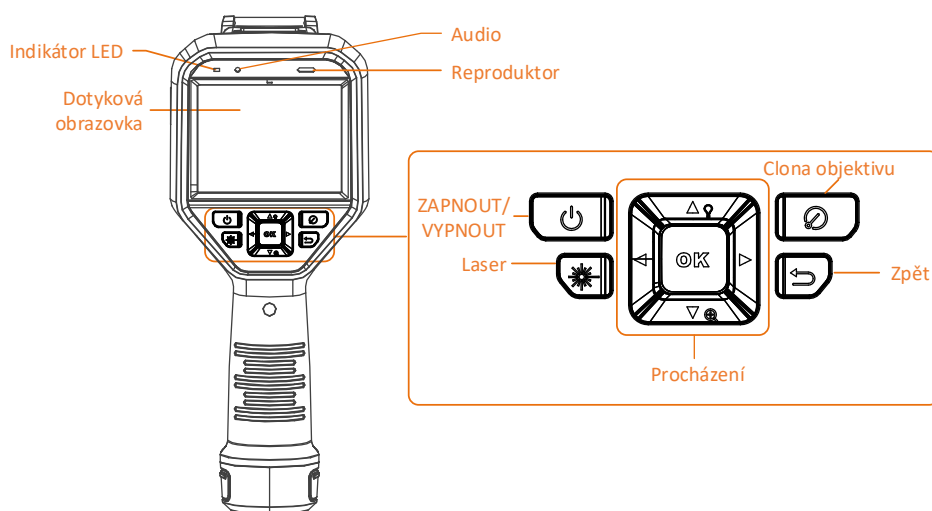
System Android

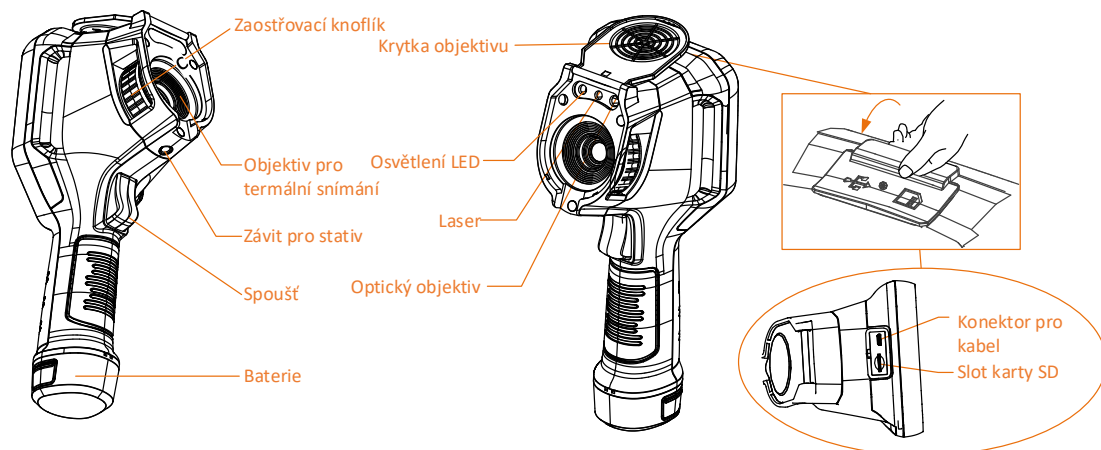


System iOS

Software iVMS 4800 můžete použít k analýze a vygenerování obrazových zpráv offline. Klienta si stáhněte zde: <https://www.hikvision.com/en/support/download/software/ivms-4800-temperature-measurement/>.

2. Vzhled





Součást	Funkce
Navigační tlačítko	Režim nabídky: <ul style="list-style-type: none"> ● Stisknutím tlačítka ▽, △, ▷ a ◁ vyberte parametry. ● K potvrzení stiskněte tlačítko OK.
	Režim bez nabídky: <ul style="list-style-type: none"> ● Stisknutím tlačítka △ zapněte/vypněte doplňkové osvětlení LED. ● Stisknutím tlačítka ▽ spusťte digitální zoom.
Tlačítko laseru	Laser můžete zapnout podržením tlačítka a vypnout jeho uvolněním.
Tlačítko clony objektivu	K provedení opravy zacloňte objektiv.
Tlačítko zpět	Slouží k ukončení nabídky nebo návratu do předchozí nabídky.
Zaostřovací knoflík	Nastavuje ohniskovou vzdálenost objektivu.
Spoušť	K zachycení snímku stiskněte spoušť. K záznamu videí podržte spoušť.
Konektor pro kabel	Pomocí dodaného kabelu lze zařízení nabíjet a exportovat soubory.

3. Nabíjení zařízení

Po spuštění zařízení se v nabídce zobrazení na displeji zobrazí stav baterie. Je-li baterie téměř vybitá, nabijte zařízení, abyste zajistili jeho správné fungování.

3.1 Nabíjení zařízení pomocí konektoru pro kabel

Kroky

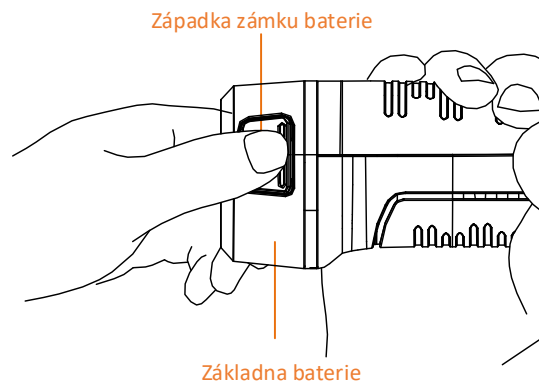
1. Zvedněte kryt konektoru.
2. Připojte kabel a nabijte zařízení.

3.2 Nabíjení zařízení pomocí nabíjecí základny

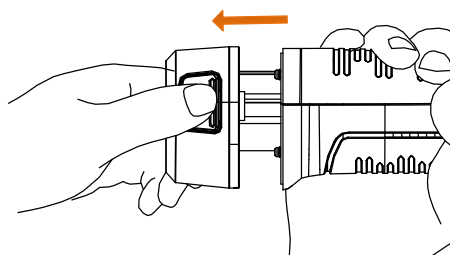
Nabíjecí základnu je třeba zakoupit samostatně.

Kroky:

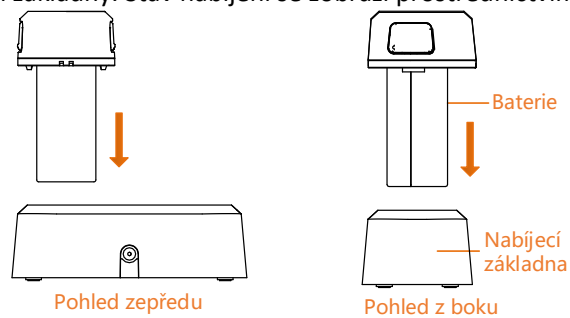
1. Podržte zařízení a stiskněte obě západky zámku baterie na zařízení.



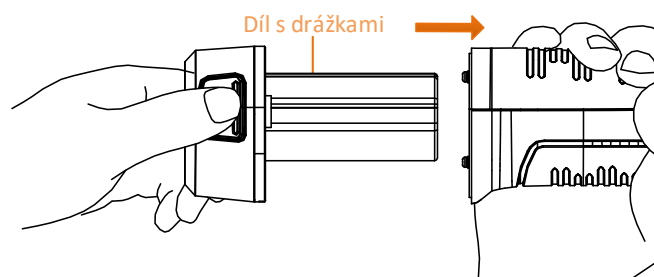
2. Podržte zámky a zatažením za základnu baterie baterii vyjměte.



3. Vložte baterii do nabíjecí základny. Stav nabíjení se zobrazí prostřednictvím kontrolky na nabíjecí základně.



4. Jakmile je baterie plně nabita, vytáhněte ji z nabíjecí základny.
5. Zarovnejte díl drážkami a baterií s výřezem na zařízení a vložte baterii do zařízení.



Návod k obsluze



Právní informace

Návod k obsluze

©2020 Hangzhou Hikvision Digital Technology Co., Ltd. Všechna práva vyhrazena.

Informace o tomto návodu

V návodu jsou obsaženy pokyny k používání a obsluze výrobku. Obrázky, schémata, snímky a veškeré ostatní zde uvedené informace slouží pouze jako popis a vysvětlení. Informace obsažené v tomto návodu podléhají vzhledem k aktualizacím firmwaru nebo z jiných důvodů změnám bez upozornění. Nejnovější verzi této příručky naleznete na webových stránkách společnosti Hikvision (<https://www.hikvision.com>).

Tento návod používejte s vedením a pomocí odborníků vyškolených v oblasti podpory výrobku.

Ochranné známky

HIKVISION a ostatní ochranné známky a loga společnosti Hikvision jsou vlastnictvím společnosti Hikvision v různých jurisdikcích.

Ostatní ochranné známky a loga uvedené v této příručce jsou majetkem příslušných vlastníků.

Prohlášení o vyloučení odpovědnosti

TATO PŘÍRUČKA A POPISOVANÉ PRODUKTY VČETNĚ PŘÍSLUŠNÉHO HARDWARU, SOFTWARE A FIRMWARE JSOU V MAXIMÁLNÍM ROZSAHU PŘÍPUSTNÉM PODLE ZÁKONA POSKYTOVÁNY, „JAK STOJÍ A LEŽÍ“, A „SE VŠEMI VADAMI A CHYBAMI“. SPOLEČNOST HIKVISION NEPOSKYTUJE ŽÁDNÉ VÝSLOVNÉ ANI PŘEDPOKLÁDANÉ ZÁRUKY ZARNUJÍCÍ MIMO JINÉ PRODEJNOST, USPOKOJIVOU KVALITU NEBO VHODNOST KE KONKRÉTNÍM ÚČELŮM. POUŽÍVÁNÍ TOHOTO PRODUKTU JE NA VAŠE VLASTNÍ RIZIKO. SPOLEČNOST HIKVISION V ŽÁDNÉM PŘÍPADĚ NENESE ODPOVĚDNOST ZA JAKÉKOLI ZVLÁŠTNÍ, NÁSLEDNÉ, NÁHODNÉ NEBO NEPŘÍMÉ ŠKODY ZAHNÚJÍCÍ MIMO JINÉ ŠKODY ZE ZTRÁTY OBCHODNÍHO ZISKU, PŘERUŠENÍ OBCHODNÍ ČINNOSTI NEBO ZTRÁTY DAT, POŠKOZENÍ SYSTÉMŮ NEBO ZTRÁTY DOKUMENTACE V SOUVISLOSTI S POUŽÍVÁNÍM TOHOTO VÝROBKU BEZ OHLEDU NA TO, ZDA TAKOVÉ ŠKODY VZNIKLY Z DŮVODU PORUŠENÍ SMLOUVY, OBČANSKOPRÁVNÍHO PŘEČINU (VČETNĚ NEDBALOSTI) ČI ODPOVĚDNOSTI ZA PRODUKT, A TO ANI V PŘÍPADĚ, ŽE SPOLEČNOST HIKVISION BYLA NA MOŽNOST TAKOVÝCHTO ŠKOD NEBO ZTRÁTY UPOZORNĚNA.

BERETE NA VĚDOMÍ, ŽE INTERNET SVOU PODSTATOU PŘEDSTAVUJE SKRYTÁ BEZPEČNOSTNÍ RIZIKA A SPOLEČNOST HIKVISION PROTO NEPŘEBÍRÁ ŽÁDNOU ODPOVĚDNOST ZA NESTANDARDNÍ PROVOZNÍ CHOVÁNÍ, ÚNIK OSOBNÍCH ÚDAJŮ NEBO JINÉ ŠKODY VYPLÝVAJÍCÍ Z KYBERNETICKÉHO ČI HACKERSKÉHO ÚTOKU, NAPADENÍ VIREM NEBO ŠKODY ZPŮSOBENÉ JINÝMI INTERNETOVÝMI BEZPEČNOSTNÍMI RIZIKY; SPOLEČNOST HIKVISION VŠAK V PŘÍPADĚ POTŘEBY POSKYTNE VČASNOU TECHNICKOU PODPORU.

SOUHLASÍTE S TÍM, ŽE TENTO PRODUKT BUDE POUŽÍVÁN V SOULADU SE VŠEMI PLATNÝMI ZÁKONY A VÝHRADNĚ ODPOVÍDÁTE ZA ZAJIŠTĚNÍ, ŽE VAŠE UŽÍVÁNÍ BUDE V SOULADU S PLATNOU LEGISLATIVOU. ODPOVÍDÁTE ZEJMÉNA ZA POUŽÍVÁNÍ PRODUKTU ZPŮSOBEM, KTERÝ NEPORUŠUJE PRÁVA TŘETÍCH STRAN, COŽ ZAHNÚJE MIMO JINÉ PRÁVO NA OCHRANU OSOBNOSTI, PRÁVO DUŠEVNÍHO VLASTNICTVÍ NEBO PRÁVO NA OCHRANU OSOBNÍCH ÚDAJŮ A DALŠÍ PRÁVA NA OCHRANU SOUKROMÍ. TENTO PRODUKT NESMÍTE POUŽÍVAT K JAKÝMKOLI NEDOVOLENÝM KONCOVÝM ÚČELŮM VČETNĚ VÝVOJE ČI VÝROBY ZBRANÍ HROMADNÉHO NIČENÍ, VÝVOJE NEBO VÝROBY CHEMICKÝCH ČI BIOLOGICKÝCH ZBRANÍ NEBO JAKÝCHKOLI ČINNOSTÍ SOUVISEJÍCÍCH S JADERNÝMI VÝBUŠNINAMI NEBO NEBEZPEČNÝM JADERNÝM PALIVOVÝM CYKLEM ČI K PODPOŘE PORUŠOVÁNÍ LIDSKÝCH PRÁV.

V PŘÍPADĚ JAKÉHOKOLI ROZPORU MEZI TÍMTO NÁVODEM A PŘÍSLUŠNÝMI ZÁKONY PLATÍ DRUHÉ ZMÍNĚNÉ.

Právní informace

Informace o směrnících FCC

Upozorňujeme, že změny nebo úpravy, které nebyly výslovně schváleny stranou zodpovědnou za soulad s předpisy, mohou mít za následek ztrátu oprávnění uživatele zařízení používat.

Soulad se směrnice FCC: Toto zařízení bylo testováno a bylo shledáno, že splňuje limity pro digitální zařízení třídy B podle části 15 pravidel FCC. Tyto limity jsou navrženy tak, aby poskytovaly přiměřenou ochranu proti škodlivému rušení v bytové instalaci. Toto zařízení generuje, používá a může vyzařovat vysokofrekvenční energii, a pokud není instalováno a používáno v souladu s pokyny, může způsobit škodlivé účinky. Neexistuje však žádná záruka, že v určité instalaci nedojde k rušení. Pokud toto zařízení způsobuje škodlivé rušení příjmu rozhlasu nebo televize, které lze identifikovat vypnutím a zapnutím zařízení, doporučujeme uživateli pokusit se vyřešit rušení jedním nebo několika z následujících opatření:

- Přeorientujte nebo přemístěte přijímací anténu.
- Zvyšte odstup mezi zařízením a přijímačem.
- Připojte zařízení k zásuvce na jiném obvodu, než ke kterému je připojen přijímač.
- obraťte se na prodejce nebo zkušeného rozhlasového / televizního technika.

Toto zařízení je třeba namontovat a provozovat v minimální vzdálenosti 20 cm od radiátoru a vašeho těla.

Podmínky směrnice FCC

Toto zařízení splňuje požadavky části 15 směrnic FCC. Provoz je podmíněn následujícími dvěma podmínkami:

1. Toto zařízení nesmí způsobovat škodlivé rušení.
2. Toto zařízení musí přijmout libovolné přijaté rušení, včetně rušení, které může způsobit nežádoucí činnost.

EU prohlášení o shodě



Tento výrobek a případně i dodané příslušenství jsou označeny štítkem „CE“, a vyhovují proto příslušným harmonizovaným evropským standardům uvedeným ve směrnici EMC 2014/30/EU a směrnici RoHS 2011/65/EU.



Směrnice 2012/19/ES (WEEE): Výrobky označené tímto symbolem nelze v Evropské unii likvidovat společně s netříděným domovním odpadem. Při zakoupení nového ekvivalentního výrobku tento výrobek řádně zrecyklujte vrácením svému místnímu dodavateli, nebo jej zlikvidujte odevzdáním v určených sběrných místech. Další informace naleznete na adrese: www.recyclethis.info.



Směrnice 2006/66/ES (týkající se baterií): Tento výrobek obsahuje baterii, kterou nelze v Evropské unii likvidovat společně s netříděným domovním odpadem. Konkrétní informace o baterii naleznete v dokumentaci výrobku. Baterie je označena tímto symbolem, který může obsahovat písmena značící kadmium (Cd), olovo (Pb) nebo rtuť (Hg). Baterii řádně zlikvidujte odevzdáním svému dodavateli nebo na určeném sběrném místě. Další informace naleznete na adrese: www.recyclethis.info.

Shoda s normou ICES-003 kanadského ministerstva průmyslu

Toto zařízení splňuje požadavky normy CAN ICES-3 (B)/NMB-3(B).

Toto zařízení splňuje požadavky norem RSS pro bezlicenční pásma kanadského ministerstva průmyslu. Provoz je podmíněn následujícími dvěma podmínkami:

- (1) toto zařízení nesmí způsobovat rušení a
- (2) toto zařízení musí přijmout libovolné rušení, včetně rušení, které může způsobit nežádoucí činnost zařízení.

Podle předpisů kanadského ministerstva průmyslu může tento rádiový vysílač pracovat výhradně ve spojení

s anténou daného typu o maximálním (nebo menším) zisku schváleným pro vysílače kanadským ministerstvem průmyslu. K omezení potenciálního rádiového rušení dalších uživatelů je třeba zvolit typ a zisk antény tak, aby ekvivalentní izotropicky vyzářený výkon (e.i.r.p.) nečinil více, než je nutné pro úspěšnou komunikaci.

Toto zařízení je třeba namontovat a provozovat v minimální vzdálenosti 20 cm od radiátoru a vašeho těla.

Bezpečnostní pokyny

Účelem těchto pokynů je zajistit, aby uživatel mohl výrobek správně používat a zabránilo se nebezpečí nebo újmě na majetku.

Zákony a předpisy

- Používání výrobku musí být přísně v souladu s místními bezpečnostními předpisy pro elektrická zařízení.

Přeprava

- Při přepravě uchovávejte zařízení v původním nebo jemu podobném balení.
- Po vybalení uchovejte veškeré obaly pro budoucí použití. V případě jakékoli poruchy je třeba vrátit zařízení výrobci v původním obalu. Přeprava bez původního obalu může vést k poškození zařízení, za které společnost nenesou odpovědnost.
- Produkt nevystavujte fyzickým nárazům a zabraňte jeho spadnutí. Udržujte zařízení mimo dosah magnetického rušení.

Napájení

- Vstupní napětí musí dle standardu IEC61010-1 splňovat požadavky na omezený zdroj napájení (5 V stejnosm., 2 A). Podrobné informace naleznete v technických údajích.
- Zkontrolujte, zda je zástrčka řádně zapojena do napájecí zásuvky.
- K jednomu napájecímu adaptéru NEPŘIPOJUJTE více zařízení, abyste zabránili přehřátí nebo nebezpečí požáru v důsledku přetížení.

Baterie

- Nesprávné používání nebo výměna baterie mohou vést k nebezpečí výbuchu. Baterii nahrazujte pouze stejným nebo odpovídajícím typem. Typ baterie je E97-13-1S1P26650. Použité baterie likvidujte dle pokynů poskytnutých výrobcem baterie.
- Dodanou nabíječkou nenabíjejte jiné typy baterií. Během nabíjení ověřte, zda se v okolí 2 m od nabíječky nenachází hořlavé materiály.
- Při dlouhodobém skladování baterii každého půl roku plně nabijte, abyste zajistili zachování její kvality. V opačném případě může dojít k jejímu poškození.
- NEPOKLÁDEJTE baterii poblíž zdroje tepla nebo ohně. Vyhněte se přímému slunečnímu záření.
- Baterii NEPOLYKEJTE, mohlo by dojít k chemickým popáleninám.
- NEPOKLÁDEJTE baterii na místa v dosahu dětí.

Údržba

- V případě, že výrobek nefunguje správně, obraťte se na prodejce nebo na nejbližší servisní středisko. Nepřebíráme žádnou odpovědnost za problémy způsobené neoprávněnou opravou nebo údržbou.
- Některé z komponent zařízení (např. elektrolytický kondenzátor) je nutné pravidelně vyměňovat. Průměrná doba životnosti se liší, doporučujeme proto pravidelné kontroly. Podrobnosti vám poskytne prodejce.
- V případě potřeby zařízení jemně otřete čistým hadříkem navlhčeným malým množstvím etanolu.
- V případě, že výrobek nefunguje správně, obraťte se na prodejce nebo na nejbližší servisní středisko. Nepřebíráme žádnou odpovědnost za problémy způsobené neoprávněnou opravou nebo údržbou.

Provozní prostředí

- NEVYSTAVUJTE zařízení extrémně horkému, chladnému, prašnému, korozivnímu, slanému/zásaditému nebo vlhkému prostředí. Zajistěte, aby provozní prostředí vyhovovalo požadavkům zařízení. Provozní teplota zařízení musí činit -10 °C až 50 °C a provozní vlhkost musí činit max. 90 %.
- Toto zařízení lze bezpečně používat výhradně v oblasti do 2 000 metrů nadmořské výšky.
- Umístěte zařízení na suché a dobře větrané místo.
- NEVYSTAVUJTE zařízení silnému elektromagnetickému záření ani prašnému prostředí.
- NEMÍŘTE objektivem do slunce ani do jiného zdroje jasného světla.
- Používá-li se nějaké laserové zařízení, zajistěte, aby nebyl objektiv zařízení vystaven laserovému paprsku. V opačném případě by se mohl vypálit.

Stav nouze

- Pokud ze zařízení vychází kouř, zápach nebo hluk, zařízení okamžitě vypněte, odpojte napájecí kabel a obraťte se na servisní středisko.

Laser



Varování: Laserové záření vycházející ze zařízení může způsobit poranění očí, popálení kůže nebo vzplanutí hořlavých materiálů. Před povolením funkce doplňkového osvětlení se ujistěte, že před laserovým objektivem nestojí žádní lidé, ani se zde nenacházejí žádné hořlavé materiály.

Adresa výrobce

No.555 Qianmo Road, Binjiang District, Hangzhou 310052, Čína
Hangzhou Hikvision Digital Technology Co., Ltd.

DK

1. Oversigt

Det håndholdte termiske kamera har både optiske og termiske billedbehandlingsfunktioner. Den indbyggede IR-detektor med høj følsomhed og den højtydende sensor registrerer temperaturændringen og måler temperaturen i realtid. Det har et temperaturmåleområde på -20 °C til 550 °C (-4 °F til 1022 °F) med en nøjagtighed på ±2 °C (eller 2 %). Det hjælper brugere med at detektere risici og reducerer risikoen for tab af aktiver.

Du kan slutte enheden til klientsoftwaren Hik-Thermal for at se livevisning, billedoptagelse, optagelse osv. på din telefon. Scan QR-koden for at downloade klientsoftwaren.



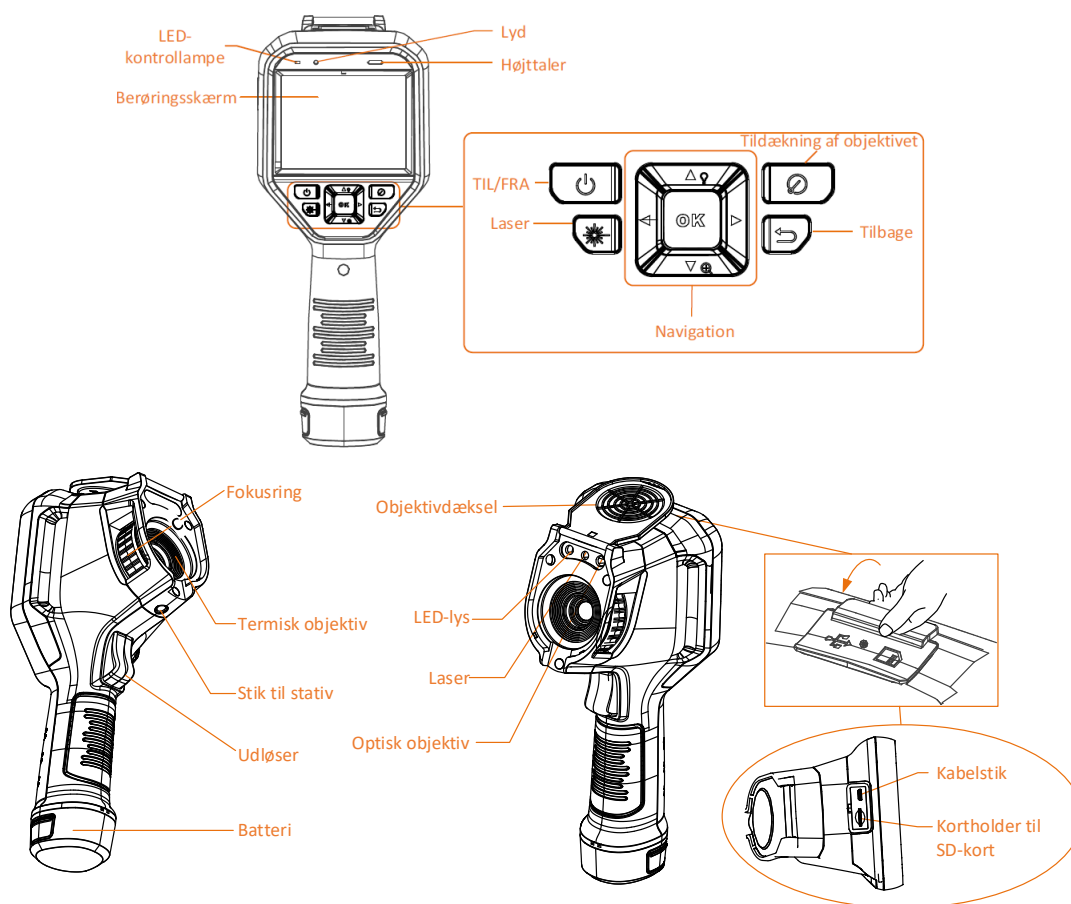
Android



iOS

Du kan bruge iVMS 4800 til at analysere og generere billedrapporter offline. Download klienten her: <https://www.hikvision.com/en/support/download/software/ivms-4800-temperature-measurement/>.

2. Beskrivelse



Komponent	Funktion
Navigationsknap	Menu tilstand: ● Tryk på ▽, △, ▷ og ◁ for at vælge parametre. ● Tryk på OK for at bekræfte.
	Anden tilstand: ● Tryk på △ for at slå ekstra LED-lys til og fra. ● Tryk på ▽ for at starte digital zoom.
Laserknap	Hold knappen nede for at slå laser til, og slip knappen for at slå laser fra.
Knap til at tildække objektivet	Tildæk objektivet for at foretage en korrektion.
Tilbageknap	Afslut menuen, eller vend tilbage til den forrige menu.
Fokusring	Indstil objektivets brændvidde.
Udløser	Tryk på udløseren for at tage et billede. Hold udløseren nede for at optage en video.
Kabelstik	Enheden kan oplades, og filer eksporteres med det medfølgende kabel.

3. Oplad enhed

Når enheden er startet op, vises batteristatussen i skærmmenuen (OSD). Når batteriniveauet er lavt, skal du oplade enheden og sikre, at den fungerer korrekt.

3.1 Oplad enheden via kabelstikket

Trin

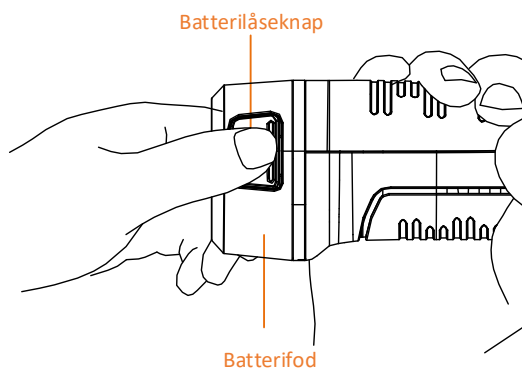
1. Tag dækslet af stikket.
2. Sæt kablet i for at oplade enheden.

3.2 Oplad enheden via opladningsfoden

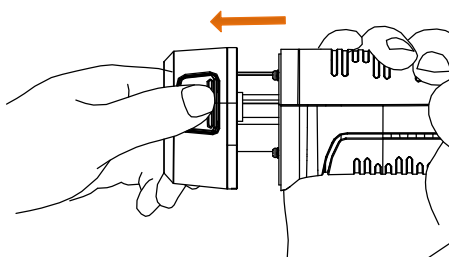
Opladningsfoden skal købes særskilt.

Trin:

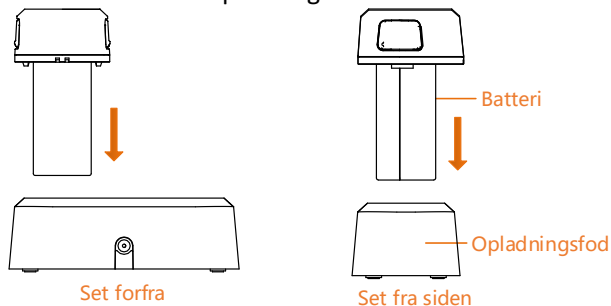
1. Hold enheden, og tryk på begge batterilåseknapper på enheden.



2. Hold låseknapperne nede, og træk i batterifoden for at tage det ud.

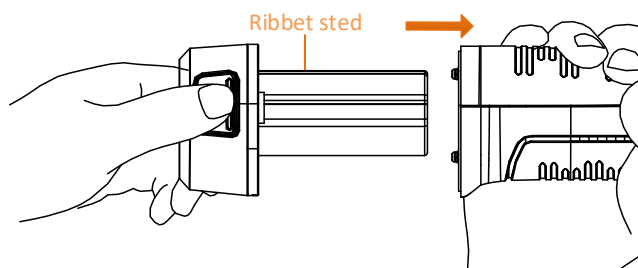


3. Sæt batteriet i opladningsfoden. Du kan se opladningsstatussen via kontrollampen på opladningsfoden.



4. Når batteriet er helt opladet, skal du tage det af opladningsfoden.

5. Ret det ribbede sted på batteriet ind efter indhakket i enheden, og sæt batteriet i enheden.



Brugervejledning



Juridisk information

Brugervejledning

©2020 Hangzhou Hikvision Digital Technology Co., Ltd. Alle rettigheder forbeholdes.

Om denne vejledning

Vejledningen indeholder anvisninger om brug og håndtering af produktet. Billeder, diagrammer, illustrationer og alle øvrige oplysninger herefter tjener kun som beskrivelse og forklaring. Oplysningerne i vejledningen er med forbehold for ændring uden varsel på grund af opdateringer af firmware eller andre årsager. Du kan finde den seneste udgave af vejledningen på Hikvisions websted (<https://www.hikvision.com>).

Brug brugervejledningen under vejledning af og med hjælp fra fagfolk, der er uddannet i understøttelse af produktet.

Varemærker

HIKVISION og andre af Hikvisions varemærker og logoer tilhører Hikvision i forskellige jurisdiktioner.

Andre nævnte varemærker og logoer tilhører deres respektive ejere.

Ansvarsfraskrivelse

VEJLEDNINGEN OG DET HERI BESKREVNE PRODUKT, INKL. HARDWARE, SOFTWARE OG FIRMWARE, LEVERES I STØRST MULIGT OMFANG, DER ER TILLADT VED LOV, "SOM DET ER OG FOREFINDES" OG "MED ALLE DEFEKTER OG FEJL". HIKVISION UDGIVER INGEN GARANTIER, UDTRYKKELEGE ELLER UNDERFORSTÅEDE, INKL. UDEN BEGRÆNSNING, VEDRØRENDE SALGBARHED, TILFREDSSTILLENDE KVALITET ELLER EGNETHED TIL ET BESTEMT FORMÅL. DIN BRUG AF PRODUKTET SKER PÅ DIN EGEN RISIKO. UNDER INGEN OMSTÆNDIGHEDER ER HIKVISION ANSVARLIG OVER FOR DIG FOR SÆRLIGE SKADER, HÆNDELIGE SKADER, FØLGESKADER ELLER INDIREKTE SKADER, INKL. BL.A., SKADER SOM FØLGE AF DRIFTSTAB, DRIFTSFORSTYRRELSER ELLER TAB AF DATA, BESKADIGELSE AF SYSTEMER ELLER TAB AF DOKUMENTATION, UANSET OM DET ER BASERET PÅ KONTRAKTBRUD, SKADEVOLDENDE HANDLINGER (HERUNDER UAGTSOMHED), PRODUKTANSVAR ELLER PÅ ANDEN MÅDE I FORBINDELSE MED BRUGEN AF PRODUKTET, SELVOM HIKVISION ER BLEVET UNDERRETTET OM MULIGHEDEN FOR SÅDANNE SKADER.

DU ANERKENDER, AT INTERNETTET INDEHOLDER INDBYGGEDE SIKKERHEDSRISICI. HIKVISION PÅTAGER SIG INTET ANSVAR FOR UNORMAL DRIFT, LÆKAGE AF PERSONLIGE OPLYSNINGER ELLER ANDRE SKADER SOM FØLGE

AF CYBERANGREB, HACKERANGREB, VIRUSKONTROL ELLER ANDRE INTERNETSIKKERHEDSRISICI. HIKVISION VIL DOG YDE EVENTUEL NØDVENDIG OG RETTIDIG TEKNISK BISTAND.

DU ERKLÆRER DIG INDFORSTÅET MED AT BRUGE PRODUKTET I OVERENSSTEMMELSE MED ALLE GÆLDENDE LOVE, OG DU ER ENEANSVARLIG FOR AT SIKRE, AT DIN BRUG OVERHOLDER AL GÆLDENDE LOVGIVNING. DU ER ISÆR ANSVARLIG FOR AT BRUGE PRODUKTET PÅ EN MÅDE, DER IKKE KRÆNKER TREDJEPARTERS RETTIGHEDER, HERUNDER, UDEN BEGRÆNSNINGER, RETTIGHEDER VEDRØRENDE OFFENTLIG OMTALE, INTELLEKTUELLE EJENDOMSRETTIGHEDER ELLER RETTIGHEDER VEDRØRENDE DATABESKYTTELSE OG ANDRE RETTIGHEDER VEDRØRENDE PERSONLIGE OPLYSNINGER. DU MÅ IKKE BRUGE PRODUKTET TIL FORBUDTE SLUTANVENDELSER, HERUNDER UDVIKLING ELLER FREMSTILLING AF MASSEØDELÆGGELSESVÅBEN, UDVIKLING ELLER PRODUKTION AF KEMISKE ELLER BIOLOGISKE VÅBEN, AKTIVITETER I DEN KONTEKST, DER ER KNYTTET TIL ATOMBOMBER ELLER USIKKERT REAKTORBRÆNDSEL, ELLER SOM STØTTE TIL OVERTRÆDELSE AF MENNESKERETTIGHEDER. I TILFÆLDE AF UOVERENSSTEMMELSE MELLEM VEJLEDNINGEN OG GÆLDENDE LOVGIVNING GÆLDER SIDSTNÆVNTE.

Lovgivningsmæssige oplysninger

FCC-oplysninger

Vær opmærksom på, at ændringer eller modifikationer, der ikke udtrykkeligt er godkendt af den part, der er ansvarlig for overensstemmelse, kan ugyldiggøre brugerens ret til at betjene udstyret.

Overholdelse af FCC: Udstyret er afprøvet og overholder grænserne for digitale enheder i klasse B i henhold til del 15 i FCC-reglerne. Grænserne er beregnet til at give rimelig beskyttelse mod skadelig interferens i installationer i boligområder. Udstyret genererer, bruger og kan udstråle radiofrekvensenergi og kan, hvis det ikke er installeret og anvendes i overensstemmelse med anvisningerne, forårsage skadelig interferens for radiokommunikation. Der er imidlertid ingen garanti for, at interferens ikke kan opstå i en bestemt installation. Hvis udstyret forårsager skadelig interferens for modtagelse af radio- og tv-signaler, hvilket kan afgøres ved at slukke og tænde for udstyret, opfordres brugeren til at forsøge at afhjælpe interferensen på en eller flere af følgende måder:

- Drej eller flyt modtagerantennen.
- Øg afstanden mellem udstyret og modtageren.
- Sæt udstyret i en stikkontakt på et kredsløb, der er forskellig fra kredsløbet, som modtageren er tilsluttet.
- Søg råd hos forhandleren eller en erfaren radio-/tv-tekniker.

Dette udstyr skal installeres og betjenes med en minimumsafstand på 20 cm mellem strålingskilden og din krop.

FCC-betingelser

Enheden overholder del 15 i FCC-reglerne. Anvendelse sker under iagttagelse af følgende to betingelser:

1. Enheden må ikke forårsage skadelig interferens.
2. Denne enhed skal acceptere modtagen interferens, inkl. interferens, der kan give anledning til uønsket drift.

EU-overensstemmelseserklæring



Dette produkt og – hvis relevant – medfølgende tilbehør er CE-mærkede og overholder dermed de gældende harmoniserede europæiske standarder, der er angivet i EMC-direktivet 2014/30/EU og RoHS-direktivet 2011/65/EU.



2012/19/EU (WEEE-direktivet): Produkter, der er mærket med dette symbol, kan ikke bortskaffes som almindeligt husholdningsaffald i EU. Med henblik på korrekt genbrug skal du aflevere produktet til din lokale leverandør ved køb af tilsvarende nyt udstyr eller aflevere det på et dertil indrettet indleveringssted. For yderligere oplysninger se: www.recyclethis.info.



2006/66/EF (batteridirektivet): Dette produkt indeholder et batteri, som ikke kan bortskaffes sammen med almindeligt husholdningsaffald i EU. Find specifikke oplysninger om batteriet i produktokumentationen. Batteriet er mærket med dette symbol, som kan indeholde bogstaver, der indikerer indhold af kadmium (Cd), bly (Pb) eller kviksølv (Hg). Med henblik på korrekt genbrug skal du aflevere batteriet til din leverandør eller til et dertil indrettet indleveringssted. Du kan få flere oplysninger her: www.recyclethis.info

Overholdelse af Industry Canada ICES-003

Enheden overholder kravene til standarder i CAN ICES-3 (B)/NMB-3(B).

Enheden overholder Industry Canadas licensfritagne RSS-standarder. Anvendelse sker under iagttagelse af følgende to betingelser:

- (1) Denne enhed må ikke forårsage interferens.
- (2) Denne enhed skal acceptere al interferens, inkl. interferens, der kan give anledning til uønsket drift af enheden.

Iht. Industry Canadas bestemmelser må denne radiosender kun benyttes sammen med en antenne af en type og med maks. (eller lavere) forstærkning end den, der er godkendt til senderen af Industry Canada. For at reducere potentiel radiointerferens for andre brugere skal antennetypen og dens forstærkning vælges således, at den ækvivalente isotropisk udstrålede effekt (e.i.r.p.) ikke er mere end det, der kræves til en vellykket kommunikation.

Udstyret skal installeres og betjenes med en minimumsafstand på 20 cm mellem strålingskilden og din krop.

Sikkerhedsanvisning

Disse anvisninger skal sikre, at brugeren kan anvende produktet korrekt og undgå fare eller tab af ejendom.

Love og bestemmelser

- Brug af dette produkt skal strengt overholde lokale bestemmelser for elektrisk sikkerhed.

Transport

- Opbevar enheden i den oprindelige eller en lignende emballage, når den skal transporteres.
- Gem al emballage efter udpakningen til senere brug. Du skal bruge den originale emballage til at returnere enheden til fabrikken, hvis der opstår fejl. Transport uden den originale emballage kan medføre skade på enheden, og virksomheden tager intet ansvar derfor.
- Tab ikke produktet, og udsæt det ikke for fysiske stød. Hold enheden væk fra magnetisk interferens.

Strømforsyning

- Indgangsspændingen skal opfylde LPS-kravet (Limited Power Source) (5 V jævnstrøm, 2 A) i henhold til standarden IEC 61010-1. Du kan finde nærmere oplysninger i de tekniske specifikationer.
- Kontrollér, at stikket er sat godt i stikkontakten.
- Slut IKKE flere enheder til én strømadapter for at undgå overhedning eller brandfare som følge af overbelastning.

Batteri

- Forkert brug eller udskiftning af batteriet kan resultere i fare for eksplosion. Udskift kun med samme eller tilsvarende type. Batteritypen er E97-13-1S1P26650. Bortskaf brugte batterier i overensstemmelse med batteriproducentens vejledning.
- Oplad ikke andre batterityper med den medfølgende oplader. Sørg for, at der ikke befinder sig brændbare materialer inden for 2 m fra opladeren under opladning.
- Hvis batteriet skal opbevares i en længere periode, skal du sikre, at det oplades fuldt hvert halve år for at bevare batteriets ydeevne. Ellers kan der opstå skade.
- Batteriet må IKKE anbringes i nærheden af en varmekilde eller åben ild. Undgå direkte sollys.

- For at undgå kemisk forbrænding må batteriet IKKE sluges.
- Batteriet må IKKE anbringes inden for børns rækkevidde.

Vedligeholdelse

- Hvis produktet ikke virker korrekt, skal du kontakte din forhandler eller dit nærmeste servicecenter. Vi påtager os intet ansvar for problemer, der er forårsaget af uautoriseret reparation eller vedligeholdelse.
- Der er få enhedsdele (fx elektrolytkondensator), der skal udskiftes regelmæssigt. Den gennemsnitlige levetid varierer. Derfor er det nødvendigt at udføre regelmæssig kontrol. Kontakt din forhandler for nærmere oplysninger.
- Tør enheden forsigtigt af med en ren klud og en lille mængde ætanol, hvis det er nødvendigt.
- Hvis produktet ikke virker korrekt, skal du kontakte din forhandler eller dit nærmeste servicecenter. Vi påtager os intet ansvar for problemer, der er forårsaget af uautoriseret reparation eller vedligeholdelse.

Driftsmiljø

- Enheden må IKKE udsættes for ekstremt varme, kolde, støvede, korroderende, salt- og alkaliholdige eller fugtige omgivelser. Kontrollér, at driftsmiljøet opfylder enhedens krav. Enhedens driftstemperatur skal være -10 °C til 50 °C (14-122 °F), og driftsluftfugtigheden skal være 90 % eller mindre.
- Denne enhed kan kun bruges sikkert i områder op til 2.000 meter over havets overflade.
- Anbring enheden i et tørt og veludluftet miljø.
- Enheden må IKKE udsættes for kraftig elektromagnetisk stråling eller støvfyldte miljøer.
- Objektivet må IKKE rettes mod solen eller et stærkt lys.
- Når der er et laserudstyr i brug, skal det kontrolleres, at enhedens objektiv ikke udsættes for laserstrålen, ellers kan det brænde ud.

Nødsituation

- Hvis enheden afgiver røg, lugt eller støj, skal du straks slukke for strømmen og trække strømkablet ud. Kontakt derefter servicecentret.

Laser



Advarsel: Laserstrålen, der udsendes fra enheden, kan forårsage øjenskade, forbrændinger på huden eller antændelse af brandbare stoffer. Før du aktiverer funktionen Supplerende lys, skal du sikre, at der ikke er personer eller brandbare stoffer foran laserobjektivet.

Producentens adresse

No. 555 Qianmo Road, Binjiang District, Hangzhou 310052, Kina
Hangzhou Hikvision Digital Technology Co., Ltd

HU

1. Rövid leírás

A kézi hőkamera optikai és termikus képalkotási képességekkel is rendelkező kamera. A beépített nagy érzékenységgű infravörös detektor és a nagy teljesítményű érzékelő érzékeli a hőmérséklet-változást, és méri a valós idejű hőmérsékletet. Hőmérsékletmérési tartománya -20 °C és 550 °C közötti, ± 2 °C-os (vagy 2%) tűréshatárral. Segít a felhasználónak feltárni a kockázatokat és csökkenteni az anyagi károk esélyét. Csatlakoztathatja az eszközt a Hik-Thermal kliensszoftverhez, hogy élőben tekinthesse meg, rögzíthesse stb. a képét a telefonon. A kliensszoftver letöltéséhez olvassa le a QR-kódot.



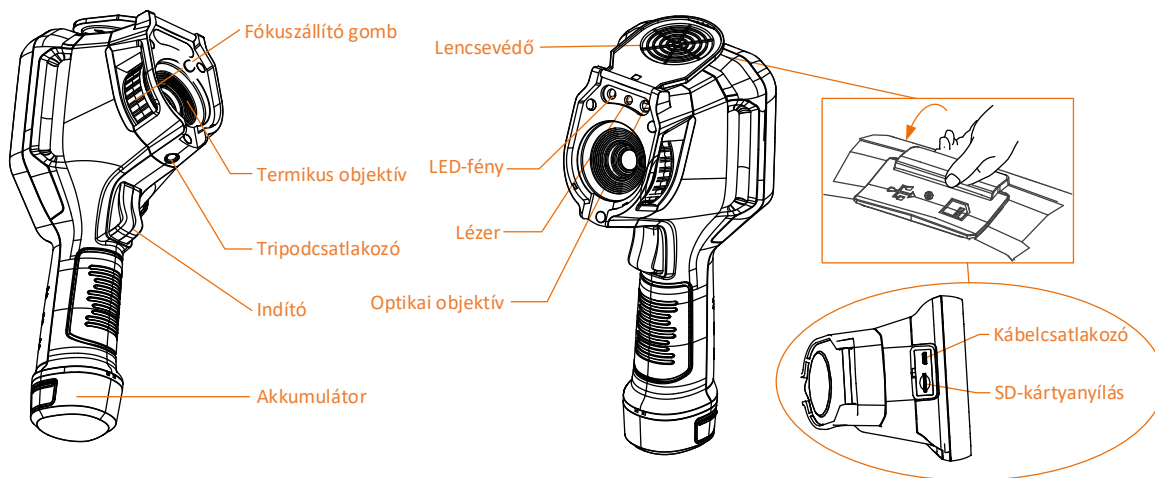
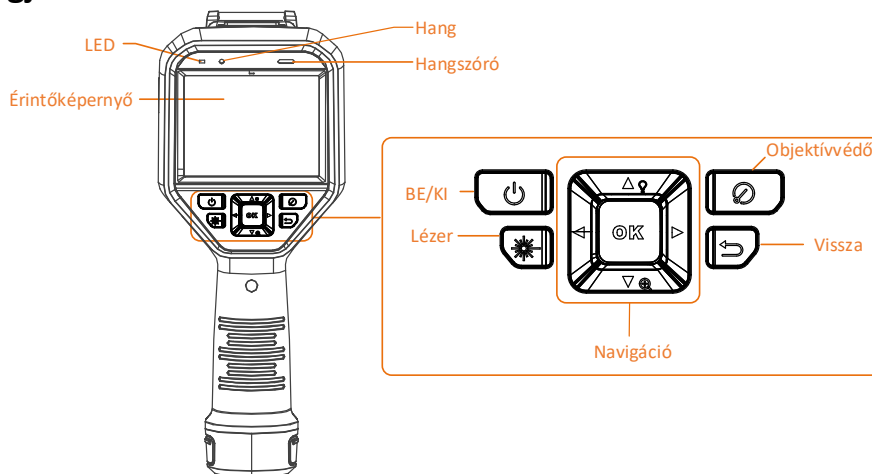
Android rendszer



iOS rendszer

Az iVMS 4800 segítségével offline végezhet elemzéseket és hozhat létre képes kimutatásokat. Töltse le a klienst innen: <https://www.hikvision.com/en/support/download/software/ivms-4800-temperature-measurement/>.

2. Külső megjelenés



Összetevő	Funkció
Navigációs gomb	Menüalapú üzemmód: <ul style="list-style-type: none"> ● A ▽, △, ▷ és ◁ gombok megnyomásával válassza ki a paramétereket. ● A megerősítéshez nyomja meg az OK gombot.
	Nem menüalapú üzemmód: <ul style="list-style-type: none"> ● Nyomja meg a △ gombot a kiegészítő LED-fény be-/kikapcsolásához. ● Nyomja meg a ▽ gombot a digitális nagyítás/kicsinyítés indításához.
Lézer gomb	Nyomja meg a gombot a lézer bekapcsolásához, engedje fel a gombot a lézer kikapcsolásához.

Összetevő	Funkció
Objektívvédő gomb	Takarja el az objektívet a korrekció elvégzéséhez.
Vissza gomb	Kilépés a menüből vagy visszatérés az előző menübe.
Fókuszállító gomb	Beállítja az objektív fókusz távolságát.
Indító	Húzza meg a ravaszt a fényképezéshez. Tartsa meghúzva a ravaszt a videofelvételhez.
Kábelcsatlakozó	A készülék a mellékelt kábel segítségével tölthető, a fájlok is ezen keresztül exportálhatók.

3. A készülék töltése

A készülék indítása után az OSD (kijelzés a képernyőn) mutatja a telep töltöttségi állapotát. Ha a töltöttség alacsony, töltsé fel a készüléket, és biztosítsa annak megfelelő működését.

3.1 Készülék töltése kábelcsatlakozón

Lépések

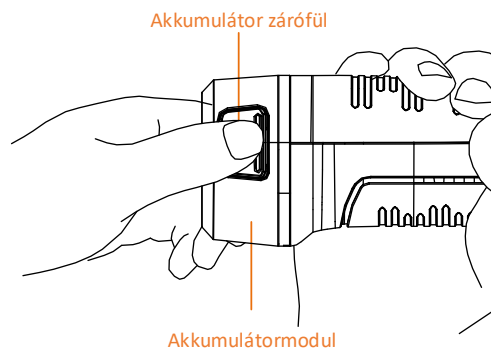
1. Emelje fel a csatlakozó fedelét.
2. Csatlakoztassa a kábelt a készülék töltéséhez.

3.2 Készülék töltése külső akkumulátortöltővel

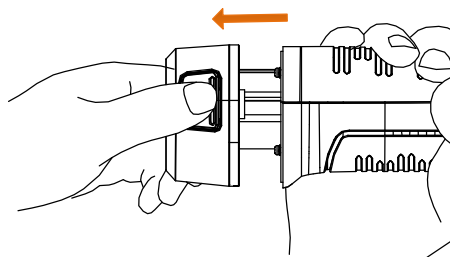
A külső akkumulátortöltőt külön kell megvásárolni.

Lépések:

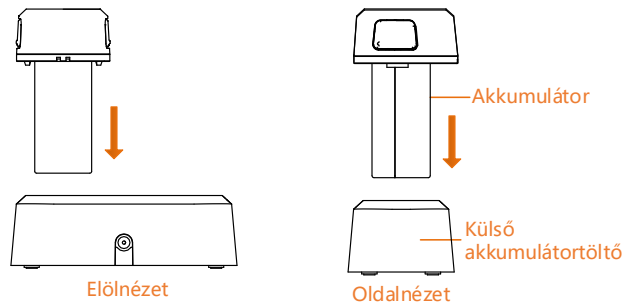
1. Fogja meg a készüléket, és nyomja meg mindkét akkumulátortartó zárófület.



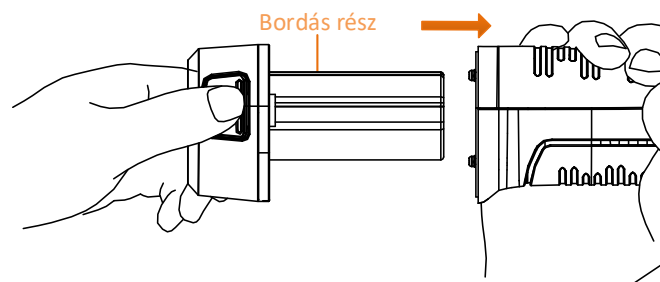
2. Tartsa nyomva a zárat, és húzza ki az akkumulátort.



3. Helyezze az akkumulátort a külső akkumulátortöltőbe. A töltési állapotot a külső akkumulátortöltő visszajelző fényével ellenőrizheti.



4. Ha az akkumulátor teljesen feltöltődött, húzza ki az akkumulátort a külső akkumulátortöltőből.
5. Illessze az akkumulátor bordás felét a készülék hornyához, és helyezze be az akkumulátort a készülékbe.



Felhasználói útmutató



Jogi információk

Felhasználói útmutató

©2020 Hangzhou Hikvision Digital Technology Co., Ltd. Minden jog fenntartva.

Az útmutatóval kapcsolatos tudnivalók

Az útmutató a termék használatára és kezelésére vonatkozó utasításokat tartalmaz. Az itt szereplő képek, diagramok, ábrák és minden további információ csupán leírásként és magyarázatként szolgál. Az Útmutatóban szereplő információk a firmware-frissítések és egyéb okok miatt előzetes értesítés nélkül változhatnak. Ezen útmutató legfrissebb verzióját a Hikvision weboldalán találhatja meg. (<https://www.hikvision.com>). Az Útmutatót a termékkel kapcsolatos támogatáshoz megfelelő képesítéssel rendelkező szakemberek támogatásával és útmutatásával együtt használja.

Védjegyek

A **HIKVISION**, valamint a Hikvision egyéb védjegyei és logói a Hikvision tulajdonát képezik különböző joghatóságok területén.

Az említett egyéb védjegyek és logók a megfelelő tulajdonosok tulajdonát képezik.

Felelősségkizárás

EZT A KÉZIKÖNYVET, VALAMINT A BENNE SZEREPLŐ TERMÉKET ANNAK HARDVER-, SZOFTVER-ÖSSZETEVŐIVEL ÉS FIRMWARE-ÉVEL EGYÜTT „EREDETI FORMÁBAN” BIZTOSÍTJUK, „BELEÉRTVE AZOK ÖSSZES ESETLEGES HIBÁJÁT”. A HIKVISION NEM VÁLLAL SEM KIFEJEZETT, SEM TÖRVÉNY ÁLTAL VÉLELMEZETT JÓTÁLLAST, TÖBBEK KÖZÖTT – DE NEM KORLÁTOZVA – A TERMÉK ÉRTÉKESÍTHETŐSÉGÉRE, MEGFELELŐ MINŐSÉGÉRE, VALAMINT ADOTT CÉLRA VALÓ ALKALMASSÁGÁRA. A TERMÉKET KIZÁRÓLAG SAJÁT FELELŐSÉGÉRE HASZNÁLHATJA. A HIKVISION SEMMILYEN ESETBEN SEM VÁLLAL FELELŐSÉGET ÖN FELÉ SEMMILYEN KÜLÖNLEGES, KÖVETKEZMÉNYES, JÁRULÉKOS VAGY KÖZVETETT KÁRÉRT, BELEÉRTVE TÖBBEK KÖZÖTT A TERMÉK HASZNÁLATÁVAL ÖSSZEFÜGGÉSBEN AZ ÜZLETI HASZON ELVESZTÉSÉBŐL, AZ ÜZLETMENET MEGSZAKADÁSÁBÓL, VALAMINT AZ ADATOK VAGY DOKUMENTUMOK ELVESZTÉSÉBŐL EREDŐ KÁROKAT, TÖRTÉNJEN EZ SZERZŐDÉSSZEGÉS VAGY KÁROKOZÁS (BELEÉRTVE A GONDATLANSÁGOT) EREDMÉNYEKÉNT, MÉG AKKOR SEM, HA A HIKVISION VÁLLALATOT TÁJÉKOZTATTÁK AZ ILYEN KÁROK BEKÖVETKEZÉSÉNEK LEHETŐSÉGÉRŐL.

ÖN TUDOMÁSUL VESZI, HOGY AZ INTERNET TERMÉSZETÉBŐL FAKADÓAN REJT KOCKÁZATOKAT, ÉS A HIKVISION SEMMILYEN FELELŐSÉGET NEM VÁLLAL A RENDELLENES MŰKÖDÉSÉRT, A SZEMÉLYES ADATOK KISZIVÁRGÁSÁÉRT VAGY MÁS OLYAN KÁROKÉRT, AMELYEKET KIBERTÁMADÁSOK, HACKERTÁMADÁSOK, VÍRUSFERTŐZÉSEK VAGY MÁS INTERNETES BIZTONSÁGI VESZÉLYEK OKOZTAK; A HIKVISION AZONBAN KÉRÉSRE IDŐBEN MŰSZAKI TÁMOGATÁST NYÚJT.

ÖN ELFOGADJA, HOGY EZT A TERMÉKET KIZÁRÓLAG A VONATKOZÓ TÖRVÉNYI ELŐÍRÁSOK BETARTÁSÁVAL HASZNÁLJA, ÉS HOGY A VONATKOZÓ TÖRVÉNYEKNEK MEGFELELŐ HASZNÁLAT KIZÁRÓLAG AZ ÖN FELELŐSÉGE. KÜLÖNÖSKÉPPEN AZ ÖN FELELŐSÉGE, HOGY A TERMÉK HASZNÁLATA SORÁN NE SÉRTSE HARMADIK FÉL JOGAIT, BELEÉRTVE, DE NEM KORLÁTOZVA A NYILVÁNOSSÁGRA, SZELLEMI TULAJDONRA, ADATOK VÉDELMEÉRE ÉS EGYÉB SZEMÉLYES ADATOKRA VONATKOZÓ JOGOKAT. A TERMÉKET NEM HASZNÁLHATJA TILTOTT CÉLRA, BELEÉRTVE A TÖMEGPUSZTÍTÓ FEGYVEREK FEJLESZTÉSÉT VAGY GYÁRTÁSÁT, A VEGYI VAGY BIOLÓGIAI FEGYVEREK FEJLESZTÉSÉT VAGY GYÁRTÁSÁT, VALAMINT BÁRMILYEN, ROBBANÁSVESZÉLYES VAGY NEM BIZTONSÁGOS NUKLEÁRIS HASADÓANYAG-CIKLUSSAL KAPCSOLATOS TEVÉKENYSÉGET, ILLETVE EMBERI JOGI VISSZAÉLÉSEKET TÁMOGATÓ MÓDON TÖRTÉNŐ FELHASZNÁLÁST.

HA A JELEN KÉZIKÖNYV ÉS A HATÁLYOS TÖRVÉNY KÖZÖTT ELLENTMONDÁS TAPASZTALHATÓ, AKKOR AZ UTÓBBI A MÉRVADÓ.

Szabályozással kapcsolatos információk

FCC-információ

Felhívjuk figyelmét, hogy az előírások betartásáért felelős partner által nem jóváhagyott változtatások vagy módosítások érvényteleníthetik a berendezés használatának jogát a felhasználó számára.

FCC-megfelelés: A berendezés a tesztelés során megfelelt az FCC szabályzat 15. része értelmében a B. osztályú digitális eszközök korlátozásainak. Ezeket a korlátozásokat arra tervezték, hogy észszerű védelmet nyújtsanak a lakossági létesítményekben előforduló káros interferenciák ellen. Ez a berendezés rádiófrekvenciás energiát hoz létre, használ és képes sugározni. Amennyiben a berendezést nem az utasításoknak megfelelően telepítik és használják, az káros interferenciát okozhat a rádiókommunikációs rendszerekben. Mindamellet nem garantálható, hogy egy adott telepítés esetén az interferencia nem fog létrejönni. Amennyiben a jelen eszköz káros interferenciát okoz a rádió- és televízióvetelben (amit a berendezés ki- és bekapcsolásával tud meghatározni), a felhasználó megpróbálhatja kijavítani az interferenciát az alábbi intézkedésekkel:

- Helyezze át a vevőantennát, vagy változtassa meg az irányát.
- Növelje a berendezés és a vevőkészülék közötti távolságot.
- Csatlakoztassa a berendezést egy olyan áramkörön lévő konnektorba, amelyikhez a vevőkészülék nem kapcsolódik.
- Kérjen segítséget a viszonteladótól vagy egy tapasztalt rádió-/TV-szerelőtől.

A berendezést úgy kell telepíteni és üzemeltetni, hogy legalább 20 cm távolság legyen a sugárzás forrása és az emberi test között.

FCC-feltételek

Ez a készülék megfelel az FCC szabályzat 15. részének. A megfelelő működésnek az alábbi két feltétele van:

1. Jelen eszköz nem okozhat káros interferenciát.
2. Jelen eszköznek el kell viselnie a más eszközök által keltett interferenciát, beleértve azt is, amely nemkívánatos működést eredményezhet.

EU megfelelési nyilatkozat



Ez a termék és tartozékai (amennyiben vannak) „CE” jelöléssel vannak ellátva, ezáltal megfelelnek a következő irányelvekben foglalt harmonizált európai szabványoknak: 2014/30/EU (EMC-irányelv), 2011/65/EU (RoHS-irányelv).



2012/19/EU (WEEE-irányelv): Az ezzel a jelzéssel ellátott termékeket nem lehet szelektálatlan kommunális hulladékként elhelyezni az Európai Unióban. A megfelelő újrahasznosítás érdekében vigye vissza ezt a terméket helyi beszállítójához, amikor új, egyenértékű berendezést vásárol, vagy adja le a kijelölt gyűjtőhelyeken. További információért keresse fel az alábbi honlapot: www.recyclethis.info



2006/66/EC (akkumulátorokról szóló irányelv): Ez a termék olyan akkumulátort tartalmaz, amelyet nem lehet szelektálatlan kommunális hulladékként elhelyezni az Európai Unióban. A termékdokumentációban további információkat talál az akkumulátorról. Az akkumulátor ezzel a jelzéssel van ellátva. A jelzésen megtalálhatók lehetnek a kadmiumot (Cd), ólmot (Pb) vagy higanyt (Hg) jelző betűjelek. A megfelelő újrahasznosítás érdekében vigye vissza ezt a terméket a beszállítójához, vagy vigye egy kijelölt gyűjtőhelyre. További információért keresse fel az alábbi honlapot: www.recyclethis.info

Az Industry Canada ICES-003 szabványnak való megfelelés

Ez a készülék teljesíti a CAN ICES-3 (B)/NMB-3(B) szabvány előírásait.

Ez a készülék az RSS szabványok kivételével megfelel az Industry Canada követelményeinek. A megfelelő működésnek az alábbi két feltétele van:

- (1) az eszköz nem okozhat interferenciát, és
- (2) az eszköznek el kell viselnie a más eszközök által keltett interferenciát, beleértve azt is, amely az eszköz nemkívánatos működést eredményezheti.

Az Industry Canada szabályozás értelmében az eszközben található rádióadó csak az Industry Canada által az adó számára jóváhagyott típusú és maximális (vagy kisebb) nyereségű antennával működhet. A más felhasználókat érintő lehetséges rádióinterferencia csökkentése érdekében az antenna típusát és nyereségét úgy kell megválasztani, hogy az ekvivalens izotróp kisugárzott teljesítmény (equivalent isotropically radiated power, e.i.r.p.) ne legyen nagyobb annál, mint ami szükséges a sikeres kommunikációhoz.

A berendezést úgy kell telepíteni és üzemeltetni, hogy legalább 20 cm távolság legyen a sugárzás forrása és az emberi test között.

Biztonsági utasítások

Ezen utasítások célja annak biztosítása, hogy a felhasználó a terméket megfelelően tudja használni veszély vagy vagyoni veszteség elkerülése érdekében.

Törvények és szabályok

- A termék használatakor szigorúan be kell tartani a helyi elektromos biztonsági előírásokat.

Szállítás

- Szállítás alkalmával tartsa a terméket az eredeti vagy ahhoz hasonló csomagolásban.

- Minden csomagolóanyagot őrizzen meg a későbbi felhasználás érdekében. Hiba esetén az eredeti csomagolásában kell a készüléket visszaküldenie a gyártónak. Az eredeti csomagolástól eltérő csomagolás a termék sérülését okozhatja. A vállalat ez esetben nem vállal semmilyen felelősséget.
- Ne ejtse el és ne tegye ki ütődésnek a készüléket. Tartsa távol a készüléket a mágneses zavarforrásoktól.

Tápellátás

- A bemeneti feszültségnek meg kell felelnie az IEC61010-1 szabvány szerinti korlátozott áramforrásnak (5 V DC, 2 A). A részletes információkért olvassa el a műszaki adatokat.
- Ellenőrizze, hogy a tápcsatlakozó stabilan van-e csatlakoztatva a konnektorhoz.
- Ne csatlakoztasson több készüléket egy hálózati adapterre, hogy elkerülje a túlterhelés okozta túlmelegedést vagy tűzveszélyt.

Akkumulátor

- Nem megfelelő akkumulátorok használata vagy cseréje robbanásveszélyt okozhat. Csak azonos, vagy egyenértékű típusra cserélje. Az akkumulátor típusa: E97-13-1S1P26650. Az elhasznált akkumulátorok hulladékkezelését az akkumulátor gyártójának útmutatása szerint végezze.
- Az akkumulátorokat csak az eszközhöz mellékelt töltővel töltsen. Ügyeljen arra, hogy töltés közben az akkumulátortöltő 2 méteres körzetén belül ne legyenek éghető anyagok.
- Az akkumulátor hosszú távú tárolásakor az akkumulátor minőségének biztosítása érdekében ellenőrizze fél évente, hogy az teljesen fel van-e töltve. Ellenkező esetben rongálódás következhet be.
- NE helyezze az akkumulátort hőforrás vagy nyílt láng közelébe. Óvja a közvetlen napsütéstől.
- NE nyelje le az akkumulátort, hogy elkerülje a vegyi égési sérüléseket.
- Tartsa az akkumulátort gyermekektől TÁVOL.

Karbantartás

- Ha a termék nem működik megfelelően, forduljon a kereskedőjéhez vagy a legközelebbi szervizközpontoz. Nem vállalunk felelősséget az illetéktelen javításból vagy karbantartásból eredő károkért.
- A készülék néhány alkatrésze (pl. elektrolit kondenzátor) rendszeres cserét igényel. Ezek átlagos élettartama változó, ezért időszakonkénti ellenőrzés ajánlott. Részletekért forduljon a kereskedőjéhez.
- Törölje le a készüléket egy tiszta ruhával és kis mennyiségű etanollal, ha szükséges.
- Ha a termék nem működik megfelelően, forduljon a kereskedőjéhez vagy a legközelebbi szervizközpontoz. Nem vállalunk felelősséget az illetéktelen javításból vagy karbantartásból eredő károkért.

Használati környezet

- NE tegye ki a készüléket szélsőségesen forró, hideg, poros, korrozív, sós, lúgos vagy nedves környezet hatásának. Győződjünk meg arról, hogy a használati környezet megfelel a készülék előírásainak. A készüléket -10 °C–50 °C környezeti hőmérsékleten üzemeltesse, ahol a páratartalom 90% vagy kevesebb.
- A készülék csak a tengerszint feletti 2000 m-nél alacsonyabb térségekben használható biztonságosan.
- Helyezze el a készüléket száraz és jól szellőző környezetben.
- NE TEGYE ki a készüléket erős elektromágneses sugárzásnak vagy poros környezetnek.
- NE IRÁNYÍTSA a lencsét a Nap vagy már erős fényforrás irányába.
- Ha bármilyen lézerekészüléket használ, biztosítsa, hogy a készülék lencséjét ne érje a lézersugár, különben az kiéghet.

Vészhelyzet

- Ha a készülék füstöt, furcsa szagot vagy zajt bocsát ki, azonnal kapcsolja ki, húzza ki a tápkábelt, majd forduljon a szervizközpontoz.

Lézer



Figyelmeztetés: A készülékből származó lézersugárzás szemsérüléseket eredményezhet, bőr vagy éghető anyagok égését okozhatja. Mielőtt engedélyezné a Fénykiegészítő funkciót, győződjön meg arról, hogy nincsenek emberek vagy gyúlékony anyagok a lézerlencse előtt.

A gyártó címe

No.555 Qianmo Road, Binjiang District, Hangzhou 310052, China
Hangzhou Hikvision Digital Technology Co., Ltd

PL

1. Opis urządzenia

Ręczna kamera termowizyjna umożliwia wykonywanie zdjęć i nagrań w zakresie światła widzialnego i podczerwieni. Wbudowany detektor podczerwieni o dużej czułości i skuteczności wykrywa zmiany temperatury i wykonuje pomiary temperatury w czasie rzeczywistym. Pomiary temperatury są wykonywane w zakresie od – 20°C do 550°C z dokładnością $\pm 2^\circ\text{C}$. Ułatwia to użytkownikom wykrywanie zagrożeń i ograniczanie strat zasobów. Można połączyć urządzenie z oprogramowaniem klienckim Hik-Thermal, aby wykonywać przy użyciu telefonu operacje takie jak wyświetlanie podglądu na żywo, wykonywanie zdjęć i nagrywanie wideo. Aby pobrać oprogramowanie klienckie, należy zeskanować kod QR.



System Android

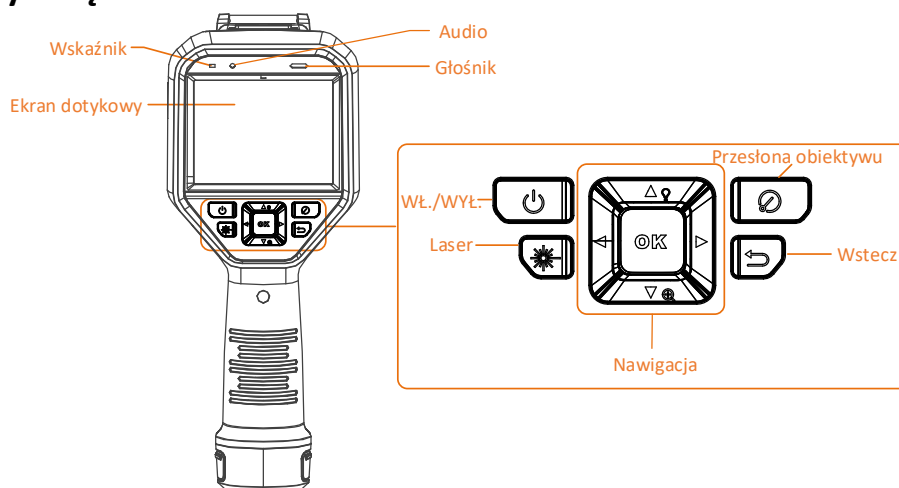


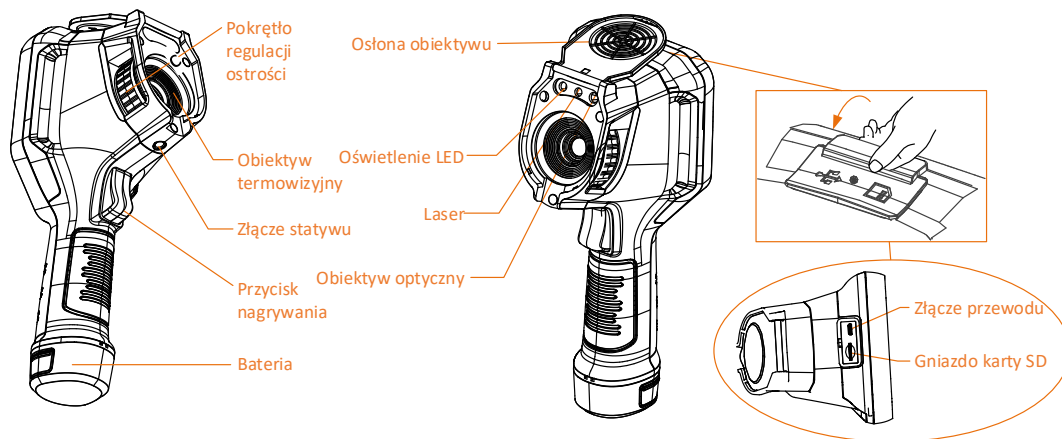
System iOS

Korzystając z oprogramowania iVMS 4800, można analizować obrazy i generować raporty w trybie offline. Oprogramowanie klienckie można pobrać z następującej witryny internetowej:

<https://www.hikvision.com/en/support/download/software/ivms-4800-temperature-measurement/>.

2. Elementy urządzenia





Element	Opis
Przcisk nawigacyjny	Tryb menu: ● Naciśnij przycisk ∇ , \triangle , \triangleright i \triangleleft , aby wybrać ustawienia. ● Naciśnij przycisk OK , aby potwierdzić. Tryb poza menu: ● Naciśnij przycisk \triangle , aby włączyć/wyłączyć pomocnicze oświetlenie LED. ● Naciśnij przycisk ∇ , aby rozpocząć powiększanie cyfrowe.
Przcisk lasera	Naciśnij i przytrzymaj przycisk, aby włączyć laser, i zwolnij przycisk w celu wyłączenia lasera.
Przcisk przesłony obiektywu	Przesłonięcie obiektywu w celu wprowadzenia korekt.
Przcisk Wstecz	Zamknięcie menu lub ponowne wyświetlenie poprzedniego menu.
Pokrętko regulacji ostrości	Regulacja ogniskowej obiektywu.
Przcisk nagrywania	Naciśnięcie przycisku powoduje wykonanie zdjęcia. Aby nagrać wideo, należy nacisnąć i przytrzymać przycisk.
Złącze przewodu	Umożliwia podłączenie przewodu, dostarczonego razem z urządzeniem, w celu ładowania baterii i eksportowania plików.

3. Ładowanie baterii urządzenia

Po uruchomieniu urządzenia w menu ekranowym (OSD) wyświetlany jest stan baterii. Gdy poziom naładowania baterii jest niski, należy naładować baterię, aby umożliwić prawidłowe funkcjonowanie urządzenia.

3.1 Ładowanie baterii urządzenia przy użyciu przewodu

Procedura

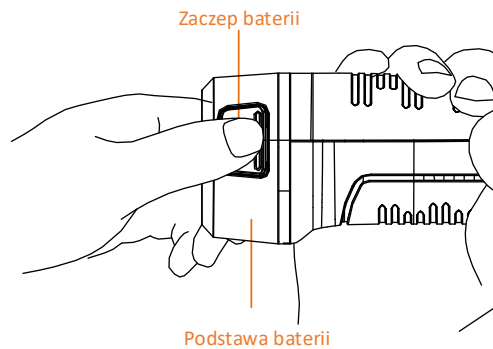
1. Podnieś pokrywę złącza.
2. Podłącz przewód, aby naładować baterię urządzenia.

3.2 Ładowanie baterii urządzenia przy użyciu stacji ładującej

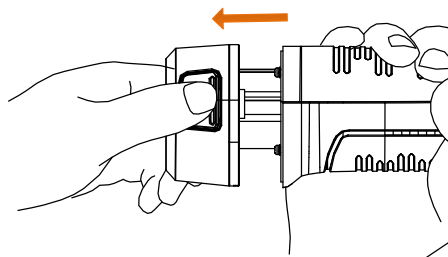
Stację ładującą należy zakupić oddzielnie.

Procedura:

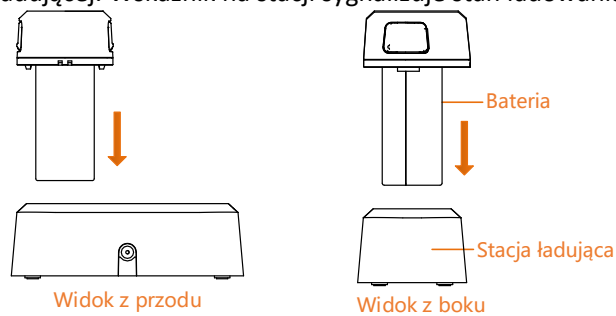
1. Przytrzymaj urządzenie i naciśnij oba zaczepy baterii.



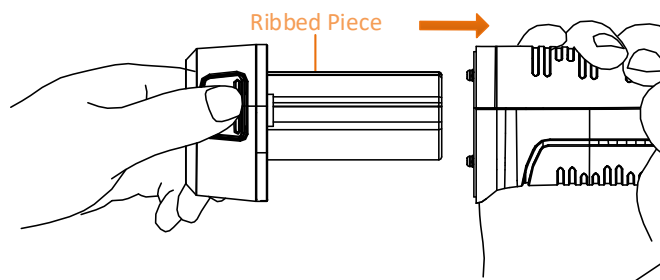
2. Naciśnij i przytrzymaj zaczepy, a następnie pociągnij podstawę baterii, aby wyjąć baterię.



3. Umieść baterię w stacji ładującej. Wskaźnik na stacji sygnalizuje stan ładowania.



4. Po całkowitym naładowaniu baterii wyjmij ją ze stacji ładującej.
5. Ustaw karbowany panel baterii zgodnie z rowkiem w urządzeniu i wsuń baterię do urządzenia.



Podręcznik użytkownika



Informacje prawne

Podręcznik użytkownika

© 2020 Hangzhou Hikvision Digital Technology Co., Ltd. Wszelkie prawa zastrzeżone.

Opis podręcznika

Podręcznik zawiera instrukcje dotyczące korzystania z produktu i obchodzenia się z nim. Zdjęcia, rysunki, wykresy i pozostałe informacje zamieszczono w podręczniku wyłącznie dla celów informacyjnych i opisowych. Informacje zamieszczone w podręczniku mogą ulec zmianie bez powiadomienia w związku z aktualizacjami oprogramowania układowego lub w innych okolicznościach. Najnowsza wersja tego podręcznika jest dostępna w witrynie internetowej firmy Hikvision (<https://www.hikvision.com>).

Oprócz tego podręcznika należy korzystać z porad i pomocy specjalistów z działu pomocy technicznej związanej z produktem.

Znaki towarowe

HIKVISION oraz inne znaki towarowe i logo Hikvision są własnością firmy Hikvision w różnych jurysdykcjach.

Inne znaki towarowe i logo użyte w podręczniku należą do odpowiednich właścicieli.

Zastrzeżenia prawne

W PEŁNYM ZAKRESIE DOZWOLONYM PRZEZ OBOWIĄZUJĄCE PRAWO TEN PODRĘCZNIK, OPISANY PRODUKT I ZWIĄZANE Z NIM WYPOSAŻENIE ORAZ OPROGRAMOWANIE APLIKACYJNE I UKŁADOWE SĄ UDOSTĘPNIANE BEZ GWARANCJI. FIRMA HIKVISION NIE UDZIELA ŻADNYCH WYRAŹNYCH ANI DOROZUMIANYCH GWARANCJI, TAKICH JAK GWARANCJE DOTYCZĄCE PRZYDATNOŚCI HANDLOWEJ, JAKOŚCI LUB PRZYDATNOŚCI DO OKREŚLONEGO CELU. UŻYTKOWNIK KORZYSTA Z PRODUKTU NA WŁASNE RYZYKO. NIEZALEŻNIE OD OKOLICZNOŚCI FIRMA HIKVISION NIE PONOSI ODPOWIEDZIALNOŚCI ZA STRATY SPECJALNE, WYNIKOWE, PRZYPADKOWE LUB POŚREDNIE, TAKIE JAK STRATA OCZEKIWANYCH ZYSKÓW Z DZIAŁALNOŚCI BIZNESOWEJ, PRZERWY W DZIAŁALNOŚCI BIZNESOWEJ, USZKODZENIE SYSTEMÓW ALBO STRATA DANYCH LUB DOKUMENTACJI, WYNIKAJĄCE Z NARUSZENIA UMOWY, PRZEWINIENIA (ŁĄCZNIE Z ZANIEDBANIEM), ODPOWIEDZIALNOŚCI ZA PRODUKT LUB INNYCH OKOLICZNOŚCI, ZWIĄZANE Z UŻYCIEM TEGO PRODUKTU, NAWET JEŻELI FIRMA HIKVISION ZOSTAŁA POINFORMOWANA O MOŻLIWOŚCI WYSTĄPIENIA TAKICH SZKÓD LUB STRAT.

UŻYTKOWNIK PRZYJMUJE DO WIADOMOŚCI, ŻE KORZYSTANIE Z INTERNETU JEST ZWIĄZANE Z ZAGROŻENIAMI DLA BEZPIECZEŃSTWA, A FIRMA HIKVISION NIE PONOSI ODPOWIEDZIALNOŚCI ZA NIEPRAWIDŁOWE FUNKCJONOWANIE, WYCIEK POUFNYCH INFORMACJI LUB INNE SZKODY WYNIKAJĄCE Z ATAKU CYBERNETYCZNEGO, ATAKU HAKERA, DZIAŁANIA WIRUSÓW LUB INNYCH ZAGROŻEŃ DLA BEZPIECZEŃSTWA W INTERNECIE. FIRMA HIKVISION ZAPEWNI JEDNAK TERMINOWĄ POMOC TECHNICZNĄ, JEŻELI BĘDZIE TO WYMAGANE.

UŻYTKOWNIK ZOBOWIĄDUJE SIĘ DO KORZYSTANIA Z PRODUKTU ZGODNIE Z OBOWIĄZUJĄCYMI PRZEPISAMI I PRZYJMUJE DO WIADOMOŚCI, ŻE JEST ZOBOWIĄZANY DO ZAPEWNIENIA ZGODNOŚCI UŻYCIA PRODUKTU Z OBOWIĄZUJĄCYMI PRZEPISAMI. W SZCZEGÓLNOŚCI UŻYTKOWNIK JEST ZOBOWIĄZANY DO KORZYSTANIA Z PRODUKTU W SPOSÓB, KTÓRY NIE NARUSZA PRAW STRON TRZECICH, DOTYCZĄCYCH NA PRZYKŁAD

WIZERUNKU KOMERCYJNEGO, WŁASNOŚCI INTELEKTUALNEJ LUB OCHRONY DANYCH I PRYWATNOŚCI. UŻYTKOWNIK NIE BĘDZIE UŻYWAĆ PRODUKTU DO CELÓW ZABRONIONYCH, TAKICH JAK OPRACOWANIE LUB PRODUKCJA BRONI MASOWEGO RAŻENIA ALBO BRONI CHEMICZNEJ LUB BIOLOGICZNEJ ORAZ DZIAŁANIA ZWIĄZANE Z MATERIAŁAMI WYBUCHOWYMI NUKLEARNYMI, NIEBEZPIECZNYM CYKLEM PALIWOWYM LUB ŁAMANIEM PRAW CZŁOWIEKA.

W PRZYPADKU NIEZGODNOŚCI NINIEJSZEGO PODRĘCZNIKA Z OBOWIĄZUJĄCYM PRAWEM, WYŻSZY PRIORYTET BĘDZIE MIAŁO OBOWIĄZUJĄCE PRAWO.

Informacje dotyczące przepisów

Komisja FCC

Wprowadzenie zmian lub modyfikacji produktu, które nie zostały wyraźnie zatwierdzone przez stronę odpowiedzialną za zapewnienie zgodności z przepisami, może spowodować anulowanie autoryzacji użytkownika do korzystania z tego produktu.

Zgodność z przepisami komisji FCC: Urządzenie zostało sprawdzone i zostało uznane za zgodne z ograniczeniami dla urządzeń cyfrowych klasy B, określonymi w części 15 przepisów komisji FCC. Ograniczenia określono w celu zapewnienia odpowiedniej ochrony przed zakłóceniami w instalacjach w obiektach mieszkalnych. Urządzenie generuje, wykorzystuje i może emitować energię o częstotliwościach radiowych i powodować zakłócenia łączności radiowej, jeżeli nie jest zainstalowane i użytkowane zgodnie z zaleceniami. Ponadto nie można zagwarantować, że zakłócenia nie będą występować w określonej instalacji. Jeżeli to urządzenie powoduje zakłócenia odbioru radiowego lub telewizyjnego, co można sprawdzić wyłączając i ponownie włączając urządzenie, można te zakłócenia wyeliminować korzystając z następujących metod:

- Zmiana ustawienia lub lokalizacji anteny odbiorczej.
- Zwiększenie odległości między urządzeniem a odbiornikiem.
- Podłączenie urządzenia do gniazda sieci elektrycznej w obwodzie innym niż obwód, do którego jest podłączony odbiornik.
- Skorzystanie z pomocy dystrybutora lub doświadczonego technika radiowo-telewizyjnego.

Urządzenie należy instalować i użytkować przy zachowaniu minimalnej odległości 20 cm pomiędzy radiatorem a ciałem.

Warunki komisji FCC

To urządzenie jest zgodne z wymaganiami określonymi w części 15 przepisów komisji FCC. Zezwolenie na użytkowanie urządzenia jest uzależnione od spełnienia następujących dwóch warunków:

1. Urządzenie nie może powodować zakłóceń.
2. Urządzenie musi być odporne na zakłócenia zewnętrzne, łącznie z zakłóceniami powodującymi nieprawidłowe funkcjonowanie.

Deklaracja zgodności z dyrektywami Unii Europejskiej



Ten produkt i ewentualnie dostarczone z nim akcesoria oznaczono symbolem „CE” potwierdzającym zgodność z odpowiednimi ujednoliconymi normami europejskimi, uwzględnionymi w dyrektywie 2014/30/WE dotyczącej kompatybilności elektromagnetycznej (EMC) i dyrektywie 2011/65/UE w sprawie ograniczenia stosowania niektórych niebezpiecznych substancji w sprzęcie elektrycznym i elektronicznym (RoHS).



Dyrektywa 2012/19/UE w sprawie zużytego sprzętu elektrycznego i elektronicznego (WEEE): Produktów oznaczonych tym symbolem nie wolno utylizować na obszarze Unii Europejskiej jako niesegregowane odpady komunalne. Aby zapewnić prawidłowy recykling, należy zwrócić ten produkt do lokalnego dostawcy przy zakupie równoważnego nowego urządzenia lub utylizować go w wyznaczonym punkcie zbiórki. Aby uzyskać więcej informacji, należy odwiedzić stronę internetową: www.recyclethis.info.



Dyrektywa 2006/66/WE w sprawie baterii i akumulatorów: Ten produkt zawiera baterię, której nie wolno utylizować na obszarze Unii Europejskiej jako niesegregowane odpady komunalne. Szczegółowe informacje dotyczące baterii zamieszczono w dokumentacji produktu. Bateria jest oznaczona tym symbolem, który może także zawierać litery wskazujące na zawartość kadmu (Cd), ołowiu (Pb) lub rtęci (Hg). Aby zapewnić prawidłowy recykling, należy zwrócić baterię do dostawcy lub przekazać ją do wyznaczonego punktu zbiórki. Aby uzyskać więcej informacji, skorzystaj ze strony internetowej www.recyclethis.info.

Zgodność z kanadyjską normą ICES-003

To urządzenie spełnia wymagania norm CAN ICES-3 (B)/NMB-3(B).

To urządzenie jest zgodne ze standardami RSS Industry Canada dotyczącymi licencji. Zezwolenie na użytkowanie urządzenia jest uzależnione od spełnienia następujących dwóch warunków:

- (1) Urządzenie nie może powodować szkodliwych zakłóceń.
- (2) Urządzenie musi być odporne na zakłócenia, łącznie z zakłóceniami powodującymi nieprawidłowe funkcjonowanie.

Zgodnie z przepisami Industry Canada ten nadajnik radiowy może być używany wyłącznie z anteną, której typ i maksymalny zysk został zatwierdzony dla nadajnika przez Industry Canada. Aby ograniczyć wpływ potencjalnych zakłóceń radiowych na inne wyposażenie, należy wybrać typ i zysk anteny w taki sposób, aby zastępcza moc promieniowana izotropowo (e.i.r.p.) nie przekraczała poziomu niezbędnego do prawidłowej komunikacji.

Urządzenie należy instalować i użytkować przy zachowaniu minimalnej odległości 20 cm pomiędzy radiatorem a ciałem.

Instrukcje dotyczące bezpieczeństwa

Niniejsze instrukcje pozwalają prawidłowo korzystać z produktu i uniknąć zagrożenia użytkowników lub zniszczenia wyposażenia.

Przepisy i rozporządzenia

- Produkt powinien być użytkowany zgodnie z lokalnymi rozporządzeniami dotyczącymi bezpiecznego korzystania z urządzeń elektrycznych.

Transport

- Podczas transportu urządzenie powinno być umieszczone w oryginalnym lub podobnym opakowaniu.
- Należy zachować opakowanie urządzenia. W przypadku wystąpienia usterki urządzenia należy zwrócić je do zakładu produkcyjnego w oryginalnym opakowaniu. Producent nie ponosi odpowiedzialności za uszkodzenie urządzenia na skutek transportu bez oryginalnego opakowania.
- Należy chronić urządzenie przed upadkiem lub udarami mechanicznymi. Należy chronić urządzenie przed zakłóceniami magnetycznymi.

Zasilanie

- Napięcie wejściowe powinno spełniać wymagania dotyczące źródeł zasilania z własnym ograniczeniem (LPS, 5 V DC, 2 A) zgodnie z normą IEC61010-1. Szczegółowe informacje zamieszczono w sekcji zawierającej dane techniczne.
- Należy upewnić się, że wtyczka jest prawidłowo podłączona do gniazda sieci elektrycznej.
- NIE WOLNO podłączać wielu urządzeń do jednego zasilacza, ponieważ może to spowodować przegrzanie lub zagrożenie pożarowe na skutek przeciążenia.

Bateria

- Nieprawidłowe użycie lub wymiana baterii może spowodować zagrożenie wybuchem. Baterie należy wymieniać tylko na baterie tego samego typu lub ich odpowiedniki. Typ baterii to E97-13-1S1P26650. Zużyte baterie należy utylizować zgodnie z zaleceniami producenta.
- Nie wolno ładować baterii innego typu przy użyciu ładowarki dostarczonej razem z urządzeniem. Należy upewnić się, że żadne palne materiały nie znajdują się w promieniu 2 m od ładowarki podczas ładowania.
- Jeżeli bateria jest przechowywana przez dłuższy czas, należy całkowicie naładować baterię co pół roku, aby zapewnić jej prawidłowy stan techniczny. Ignorowanie tego zalecenia może spowodować uszkodzenie.
- NIE umieszczaj baterii w pobliżu źródeł ciepła lub ognia. Unikaj bezpośredniego światła słonecznego.
- NIE połykaj baterii, ponieważ może to spowodować oparzenia chemiczne.
- NIE umieszczaj baterii w miejscu dostępnym dla dzieci.

Konserwacja

- Jeżeli urządzenie nie działa prawidłowo, należy skontaktować się z dystrybutorem lub najbliższym centrum serwisowym. Producent nie ponosi odpowiedzialności za problemy spowodowane przez nieautoryzowane prace naprawcze lub konserwacyjne.
- Konieczna jest regularna wymiana kilku podzespołów urządzenia (np. kondensatora elektrolitycznego). Przeciętny okres użytkowania może być różny, dlatego zalecane jest regularne sprawdzanie stanu technicznego podzespołów. Aby uzyskać więcej informacji, należy skontaktować się z dystrybutorem.
- Należy przetrzeć urządzenie ostrożnie czystą ściereczką zwilżoną niewielką ilością etanolu, jeżeli jest to konieczne.
- Jeżeli urządzenie nie działa prawidłowo, należy skontaktować się z dystrybutorem lub najbliższym centrum serwisowym. Producent nie ponosi odpowiedzialności za problemy spowodowane przez nieautoryzowane prace naprawcze lub konserwacyjne.

Warunki otoczenia

- NIE wolno narażać urządzenia na ekstremalnie wysokie lub niskie temperatury, kurz, substancje korozyjne, roztwory soli, zasady lub wilgoć. Upewnij się, że warunki otoczenia spełniają wymagania określone przez producenta urządzenia. Podczas użytkowania urządzenia temperatura otoczenia powinna wynosić od -10°C do 50°C , a wilgotność nie powinna przekraczać 90%.
- To urządzenie może być bezpiecznie użytkowane tylko na wysokości poniżej 2000 metrów nad poziomem morza.
- Urządzenie należy umieścić w suchym i odpowiednio wentylowanym miejscu.
- Należy chronić urządzenie przed silnym promieniowaniem elektromagnetycznym oraz kurzem i pyłem.
- NIE wolno kierować obiektywu w stronę słońca ani innego źródła intensywnego światła.
- Jeżeli używane jest wyposażenie laserowe, należy upewnić się, że obiektyw urządzenia nie jest oświetlany przez wiązkę lasera, ponieważ może to spowodować jego spalanie.

Poważne awarie

- Jeżeli urządzenie wydziela dym lub intensywny zapach albo emituje hałas, należy niezwłocznie wyłączyć zasilanie i odłączyć przewód zasilający, a następnie skontaktować się z centrum serwisowym.

Laser



Ostrzeżenie: Promieniowanie laserowe emitowane przez urządzenie może spowodować zranienie oczu, oparzenie skóry lub zapłon substancji palnych. Przed włączeniem oświetlenia pomocniczego należy upewnić się, że żadne osoby ani substancje palne nie znajdują się przed źródłem wiązki laserowej.

Adres producanta

No.555 Qianmo Road, Binjiang District, Hangzhou 310052, China
Hangzhou Hikvision Digital Technology Co., Ltd

RO

1. Descriere scurtă

Camera termografică de mână este o cameră cu imagini optice și termice. Detectorul IR integrat, de înaltă sensibilitate și sensorul de înaltă performanță detectează schimbarea temperaturii și măsoară temperatura în timp real. Camera este dotată cu interval de măsurare a temperaturii între -20 °C și 550 °C (de la -4 °F până la 1022 °F) cu un interval de precizie de ± 2 °C (sau 2%). Ajută utilizatorii să detecteze riscurile și reduce șansele de a pierde activele.

Puteți conecta dispozitivul la software-ul client Hik-Thermal vizualizarea imaginilor în direct, capturarea și înregistrarea, etc. de pe telefonul dvs. Scațați codul QR pentru a descărca software-ul client.



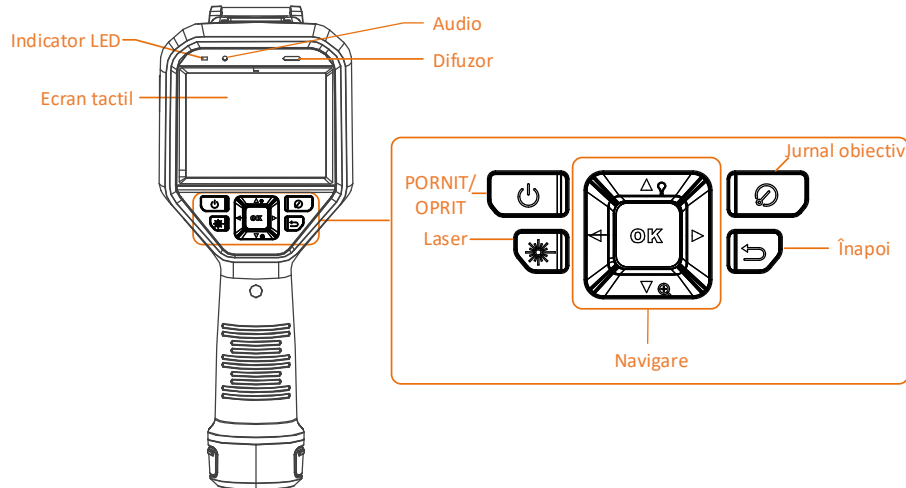
Sistem Android

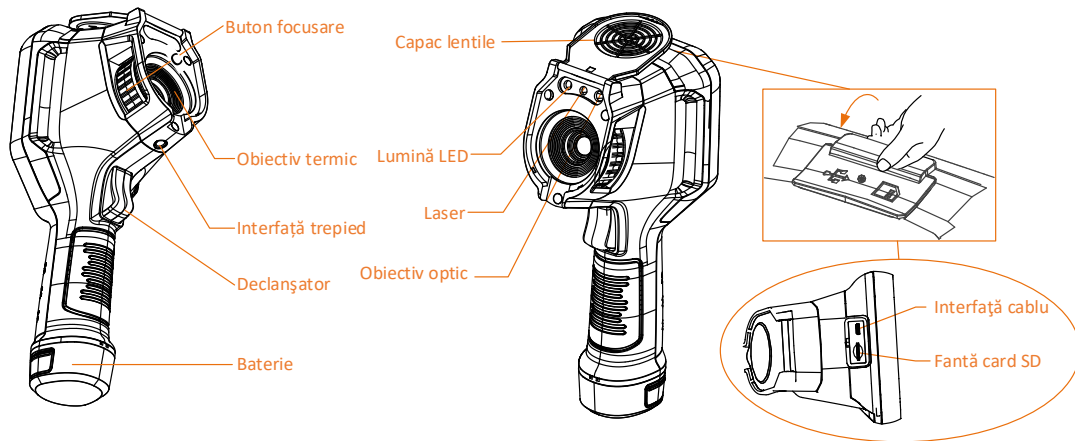


Sistem iOS

Puteți utiliza iVMS 4800 pentru a analiza și a genera rapoarte imagine offline. Descărcare client aici:
<https://www.hikvision.com/en/support/download/software/ivms-4800-temperature-measurement/>.

2. Aspect





Componentă	Funcție
Buton de navigare	Mod meniu: <ul style="list-style-type: none"> ● Apăsați ▽, △, ▷, și ◁ pentru a selecta parametri. ● Apăsați OK pentru a confirma.
	Mod non-meniu: <ul style="list-style-type: none"> ● Apăsați △ pentru a porni/opri suplimentul de lumină LED. ● Apăsați ▽ pentru a porni zoom-ul digital.
Buton laser	Țineți butonul apăsat pentru a porni laserul și eliberați butonul pentru a opri laserul.
Buton jurnalul obiectivului	Acoperiți obiectivul pentru a efectua corecția.
Buton Înapoi	Ieșiți din meniu sau reveniți la meniul precedent.
Buton focusare	Reglați distanța focală a obiectivului.
Declanșator	Trageți declanșatorul pentru a obține captura. Țineți apăsat declanșatorul pentru a înregistra videoclipuri.
Interfață cablu	Dispozitivul poate fi încărcat și fișierele pot fi exportate cu ajutorul cablului furnizat.

3. Încărcarea dispozitivului

După pornirea dispozitivului, OSD-ul (afișajul pe ecran) arată starea bateriei. Când bateria este descărcată, încărcați dispozitivul și asigurați-vă că acesta funcționează corect.

3.1 Dispozitiv de încărcare prin interfață cablu

Pași

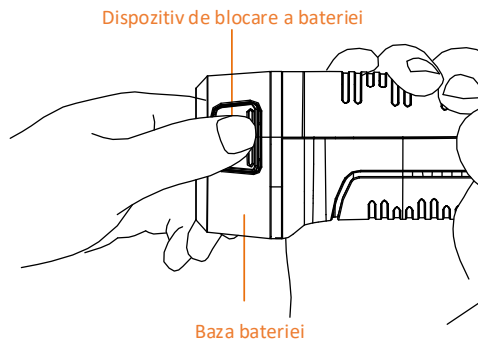
1. Ridicați capacul interfeței.
2. Conectați cablul pentru a încărca dispozitivul.

3.2 Dispozitiv de încărcare prin bază de încărcare

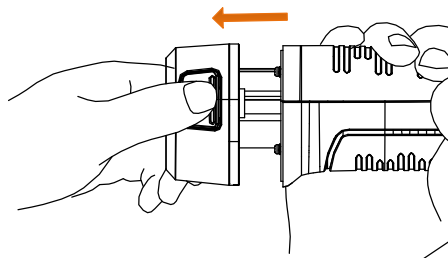
Baza de încărcare va fi achiziționată separat.

Pași:

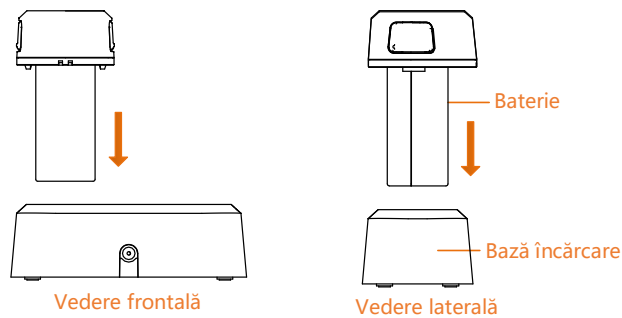
1. Țineți dispozitivul și apăsați ambele dispozitive de blocare ale bateriei.



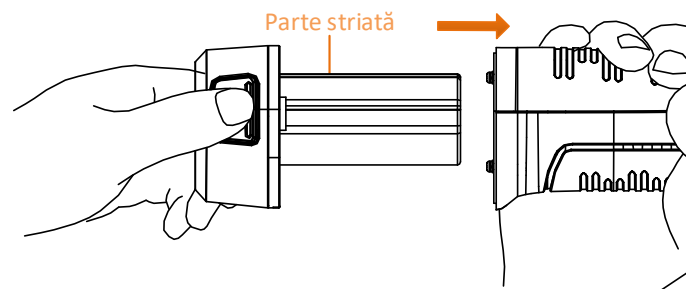
2. Țineți dispozitivele de blocare și trageți pe baza bateriei pentru a scoate bateria.



3. Introduceți bateria în baza de încărcare. Puteți vedea starea de încărcare prin intermediul lămpii pilot aflată pe baza de încărcare.



4. Atunci când bateria este complet încărcată, vă rugăm să o scoateți din baza de încărcare.
5. Aliniați partea striată a bateriei cu canelura dispozitivului și introduceți bateria în dispozitiv.



Manual de utilizare



Informații legale

Manual de utilizare

©2020 Hangzhou Hikvision Digital Technology Co., Ltd. Toate drepturile rezervate.

Despre acest manual

Manualul include instrucțiunile pentru utilizarea și gestionarea produsului. Fotografiiile, graficele și imaginile, precum și celelalte informații expuse în continuare sunt prezente exclusiv în scop descriptiv și explicativ. Informațiile din Manual pot fi modificate fără notificare, ca urmare a actualizărilor de firmware sau din alte motive. Găsiți cea mai recentă versiune a acestui manual pe site-ul web Hikvision (<https://www.hikvision.com>).

Vă rugăm să utilizați acest manual cu îndrumarea și asistența specialiștilor instruiți în asistența pentru acest produs.

Mărcile comerciale

HIKVISION și alte mărci comerciale și sigle ale Hikvision reprezintă proprietatea Hikvision în diferite jurisdicții.

Alte mărci comerciale și logo-uri menționate reprezintă proprietatea deținătorilor respectivi.

Declinarea răspunderii legale

ÎN LIMITA LEGII APLICABILE, ACEST MANUAL ȘI PRODUSUL DESCRIS, ÎMPREUNĂ CU HARDWARE-UL, SOFTWARE-UL ȘI FIRMWARE-UL AFERENTE, SUNT OFERITE „AȘA CUM SUNT” ȘI „CU TOATE DEFECTIUNILE ȘI ERORILE”. HIKVISION NU OFERĂ NICIO GARANȚIE, NICI ÎN MOD EXPLÍCIT ȘI NICI ÎMPLICIT, ÎN CEEA CE PRIVESTE ÎNCLUSIV, DAR FĂRĂ LIMITARE LA COMERCIABILITATEA, CALITATEA SATISFĂCĂTOARE, SAU UTILITATEA PENTRU UN ANUMIT SCOP. DVS. VEȚI UTILIZA ACEST PRODUS PE PROPRIUL DVS. RISC. ÎN NICIUN CAZ, HIKVISION NU VA FI RĂSPUNZĂTOARE FAȚĂ DE DVS. PENTRU ORICE DAUNE INDIRECTE, INCIDENTALE, SPECIALE, DAUNE PENTRU PIERDEREA PROFITULUI, ÎNTRERUPEREA AFACERII SAU PIERDEREA DE DATE, DEFECTAREA SISTEMELOR SAU PIERDEREA DOCUMENTAȚIEI, PE BAZA ÎNCĂLCĂRII CONTRACTULUI, UNEI ÎNFRACȚIUNI (ÎNCLUSIV NEGLIJENȚĂ), RĂSPUNDEREA PENTRU PRODUSE SAU PRINTR-UN ALT MOD LEGAT DE UTILIZAREA PRODUSULUI, CHIAR DACĂ HIKVISION A FOST ÎNFORMATĂ ÎN PREALABIL DESPRE POSIBILITATEA APĂRĂRII UNOR ASTFEL DE DAUNE SAU PIERDERI.

SUNTEȚI DE ACORD CĂ INTERNETUL, PRIN NATURA SA, PRESUPUNE RISCURI ÎNERENTE CU PRIVIRE LA SECURITATE, IAR HIKVISION NU ÎȘI ASUMĂ NICIO RESPONSABILITATE PENTRU OPERARE NESATISFĂCĂTOARE, ABATERI PRIVIND CONFIDENȚIALITATEA SAU ALTE DAUNE REZULTATE ÎN URMA UNUI ATAC CIBERNETIC, ATAC AL HACKERILOR, PREZENȚA UNUI VIRUS SAU ALTOR RISCURI PRIVIND SECURITATEA PE INTERNET; CU TOATE ACESTEA, HIKVISION VA OFERI SUPTOR TEHNIC ÎN TIMP UTIL, DACĂ ESTE NECESAR.

SUNTEȚI DE ACORD SĂ UTILIZAȚI ACEST PRODUS ÎN CONFORMITATE CU TOATE LEGILE APLICABILE, DEVENIND RESPONSABIL PENTRU UTILIZAREA ÎN CONFORMITATE CU LEGEA APLICABILĂ. SUNTEȚI, DE ASEMENEA, RESPONSABIL PENTRU UTILIZAREA ACESTUI PRODUS FĂRĂ A ÎNCĂLCĂ DREPTURILE TERȚILOR, ÎNCLUSIV, DAR FĂRĂ A SE LIMITA LA DREPTURILE PUBLICITĂȚII, DREPTURILE DE PROPRIETATE INTELECTUALĂ SAU DREPTUL LA PROTECȚIA DATELOR ȘI ALTE DREPTURI PRIVATE. NU UTILIZAȚI ACEST PRODUS PENTRU UTILIZĂRI FINALE ÎNTERZISE, ÎNCLUSIV DEZVOLTAREA SAU PRODUCȚIA DE ARME DE DISTRUGERE ÎN MASĂ, DEZVOLTAREA SAU

PRODUCIA DE ARME CHIMICE SAU BIOLOGICE, ACTIVITĂȚI LEGATE DE ORICE EXPLOZIBIL NUCLEAR SAU CICLU DE COMBUSTIBIL NUCLEAR CARE AR PRODUC LIPSĂ DE SIGURANȚĂ SAU ÎN SPRIJINUL ABUZURILOR ASUPRA DREPTURILOR OMULUI.

ÎN EVENTUALITATEA UNUI CONFLICT ÎNTRE ACEST MANUAL ȘI LEGISLAȚIA APLICABILĂ, VA AVEA PRIORITYATE ULTIMA DINTRE ACESTE.

Informații de reglementare

Informații FCC

Rețineți că orice schimbări sau modificări, care nu sunt aprobate în mod expres de către partea responsabilă pentru conformitate, ar putea anula autoritatea utilizatorului de a folosi echipamentul.

Conformitatea FCC: Acest echipament a fost testat și s-a dovedit că respectă limitele pentru un dispozitiv digital din clasa B, în conformitate cu partea 15 din Regulile FCC. Aceste limite sunt concepute pentru a oferi o protecție rezonabilă împotriva interferențelor dăunătoare într-o instalație rezidențială. Acest echipament generează, utilizează și poate radia energie de frecvență radio și, dacă nu este instalat și utilizat în conformitate cu instrucțiunile, poate provoca interferențe dăunătoare la comunicațiile radio. Cu toate acestea, nu există nicio garanție că interferența nu va apărea într-o anumită instalație. Dacă acest echipament provoacă interferențe dăunătoare la recepția radio sau la televizor, care poate fi determinată prin oprirea și pornirea echipamentului, utilizatorul este încurajat să încerce să corecteze interferența cu una sau mai multe dintre următoarele măsuri:

- Reorientați sau schimbați poziția antenei de recepție.
- Măriți distanța dintre echipament și receptor.
- Conectați echipamentul la o priză de pe un circuit diferit de cel la care este conectat receptorul.
- Consultați dealerul sau un tehnician radio/TV cu experiență pentru ajutor.

Acest echipament trebuie instalat și operat de la o distanță minimă de 20 cm între radiator și corpul dvs.

Condiții FCC

Acest dispozitiv respectă partea 15 din Regulile FCC. Funcționarea este supusă următoarelor două condiții:

1. Acest dispozitiv nu trebuie să cauzeze interferențe dăunătoare.
2. Acest dispozitiv trebuie să accepte orice interferențe primite, inclusiv interferențele care pot provoca o funcționare nedorită.

Declarația de conformitate UE



Acest produs și - dacă este cazul - și accesoriile furnizate sunt marcate cu „CE” și respectă, prin urmare, standardele europene armonizate aplicabile enumerate în Directiva EMC 2014/30/UE, Directiva RoHS 2011/65/UE



2012/19/UE (Directiva WEEE): Produsele marcate cu acest simbol nu pot fi eliminate ca deșeu municipal nesortat în Uniunea Europeană. Pentru o reciclare adecvată, returnați acest produs furnizorului dvs. local la achiziționarea unui nou echipament echivalent sau eliminați-l în punctele de colectare indicate. Pentru mai multe informații, a se vedea: www.recyclethis.info.



2006/66/CE (Directiva pentru baterii): Acest produs conține o baterie care nu poate fi eliminată ca deșeu municipal nesortat în Uniunea Europeană. Consultați documentația produsului pentru informații specifice cu privire la baterie. Bateria este marcată cu acest simbol, care poate include litere pentru a indica substanțele cadmiu (Cd), plumb (Pb) sau mercur (Hg). Pentru o reciclare adecvată, returnați bateria furnizorului dvs. sau la un punct de colectare adecvat. Pentru mai multe informații, consultați: www.recyclethis.info

Declarație de conformitate Industry Canada ICES-003

Acest dispozitiv îndeplinește cerințele standardelor CAN ICES-3 (B)/NMB-3 (B).

Acest dispozitiv este conform cu standardele RSS scutite de licență ale Industry Canada. Funcționarea este supusă următoarelor două condiții:

- (1) acest dispozitiv nu poate provoca interferențe și
- (2) acest dispozitiv trebuie să accepte orice interferență, inclusiv interferențele care pot provoca funcționarea nedorită a dispozitivului.

În conformitate cu reglementările Industry Canada, acest emițător radio poate funcționa numai dacă se utilizează o antenă de tipul și cu câștigul maxim (sau inferior) aprobate de Industry Canada pentru emițător. Pentru diminuarea interferențelor radio potențiale pentru alți utilizatori, tipul antenei și câștigul acesteia trebuie alese în așa fel încât puterea radiată izotrop echivalentă să nu o depășească pe cea care este necesară pentru o comunicare reușită.

Acest echipament trebuie să fie instalat și acționat la o distanță minimă de 20 cm între radiator și corpul dvs.

Instrucțiuni de siguranță

Aceste instrucțiuni au fost concepute pentru a se asigura că utilizatorul poate folosi corect produsul, în scopul evitării pericolelor și a pagubelor materiale.

Legi și regulamente

- Utilizarea produsului trebuie să respecte cu stricte e reglementările locale de siguranță electrică.

Transportare

- Păstrați dispozitivul în ambalaje originale sau similare în timp ce îl transportați.
- După dezambalare, păstrați toate ambalajele pentru o viitoare utilizare. În cazul în care a apărut vreun defect, trebuie să returnați dispozitivul în fabrică cu ambalajul original. Transportul fără ambalajul original poate duce la deteriorarea dispozitivului, iar compania nu își asumă nicio responsabilitate pentru aceasta.
- Nu scăpați produsul și nu-l supuneți șocurilor fizice. Țineți dispozitivul departe de interferența magnetică.

Alimentare electrică

- Tensiunea de intrare trebuie să întrunească sursa de putere limitată (5 V C.C., 2 A) în conformitate cu standardul IEC61010-1. Vă rugăm să consultați specificațiile tehnice pentru informații detaliate.
- Asigurați-vă că ștecherul este conectat corect la priza de curent.
- Nu conectați mai multe dispozitive la un adaptor de alimentare pentru a evita pericolul de supraîncălzire sau de incendiu.

Baterie

- Utilizarea necorespunzătoare sau înlocuirea bateriei pot duce la pericol de explozie. Înlocuiți numai cu același tip sau un tip echivalent. Tipul bateriei este E97-13-1S1P26650. Eliminați bateriile uzate în conformitate cu instrucțiunile oferite de producătorul bateriei.
- Nu încărcați baterii de alt tip cu încărcătorul furnizat. Asigurați-vă că nu există materiale inflamabile pe o rază de 2 m în jurul încărcătorului în timpul încărcării.
- Pentru depozitarea pe termen lung a bateriei, asigurați-vă că aceasta este complet încărcată la fiecare jumătate de an pentru a asigura calitatea bateriei. În caz contrar, pot apărea daune.
- NU așezați bateria lângă o sursă de căldură sau foc. Evitați lumina directă a soarelui.
- NU înghițiți bateria, pericol de arsuri chimice.
- NU lăsați bateria la îndemâna copiilor.

Întreținere

- Dacă produsul nu funcționează corespunzător, vă rugăm să contactați distribuitorul sau cel mai apropiat centru de service. Nu ne asumăm nicio responsabilitate pentru problemele cauzate de reparații sau întreținere neautorizate.
- Unele componente ale dispozitivului (de exemplu, condensatorul electrolitic) necesită înlocuirea regulată. Durata medie de viață variază, prin urmare, se recomandă verificarea periodică. Pentru detalii, contactați furnizorul dvs.
- Ștergeți ușor aparatul cu o cârpă curată și o cantitate mică de etanol, dacă este necesar.
- Dacă produsul nu funcționează corespunzător, vă rugăm să contactați distribuitorul sau cel mai apropiat centru de service. Nu ne asumăm nicio responsabilitate pentru problemele cauzate de reparații sau întreținere neautorizate.

Mediul de utilizare

- NU lăsați dispozitivul în medii extrem de calde, reci, prăfuite, corozive, alcaline saline sau umede. Asigurați-vă că mediul de funcționare îndeplinește cerințele dispozitivului. Temperatura de funcționare a dispozitivului trebuie să se afle între -10 °C și 50 °C (între 14 °F și 122 °F), iar umiditatea în mediul de lucru trebuie să fie de 90% sau mai mică.
- Acest aparat este adecvat pentru o utilizare până la o înălțime de maxim 2000 de metri deasupra nivelului mării.
- Așezați dispozitivul într-un mediu uscat și bine ventilat.
- NU expuneți dispozitivul la radiații electromagnetice ridicate sau în medii cu praf .
- NU îndreptați obiectivul spre soare sau orice altă lumină strălucitoare.
- Când se utilizează orice echipament laser, asigurați-vă că obiectivul dispozitivului nu este expus la fasciculul laser, în caz contrar, acesta se poate aprinde.

Situații de urgență

- Dacă dispozitivul emite fum, miros sau zgomot, decuplați imediat curentul electric, scoateți cablul de alimentare, și contactați centrul de service.

Laser



Avertizare: Radiația laser emisă de dispozitiv poate provoca leziuni oculare, arsură a pielii sau arderea substanțelor inflamabile. Înainte de a activa funcția Lumină suplimentară, asigurați-vă că nu există persoane sau substanțe inflamabile în fața obiectivului laser.

Adresa de fabricație

No.555 Qianmo Road, Binjiang District, Hangzhou 310052, China
Hangzhou Hikvision Digital Technology Co., Ltd

1. Stručný opis

Ručná termografická kamera je kamera s optickým a termografickým zobrazovaním. Pomocou zabudovaného infračerveného detektora s vysokou citlivosťou a snímača s vysokým výkonom zisťuje zmeny teplôt a meria teplotu v reálnom čase. Má rozsah merania teploty -20 °C až 550 °C (-4 °F až 1022 °F) s rozsahom presnosti ± 2 °C (alebo 2 %). Pomáha používateľom odhaliť riziká a znižuje pravdepodobnosť straty aktív.

Zariadenie môžete pripojiť ku klientskemu softvéru Hik-Thermal a zobraziť vo svojom telefóne živý náhľad, snímať, nahrávať atď. Naskenovaním kódu QR si stiahnete klientsky softvér.



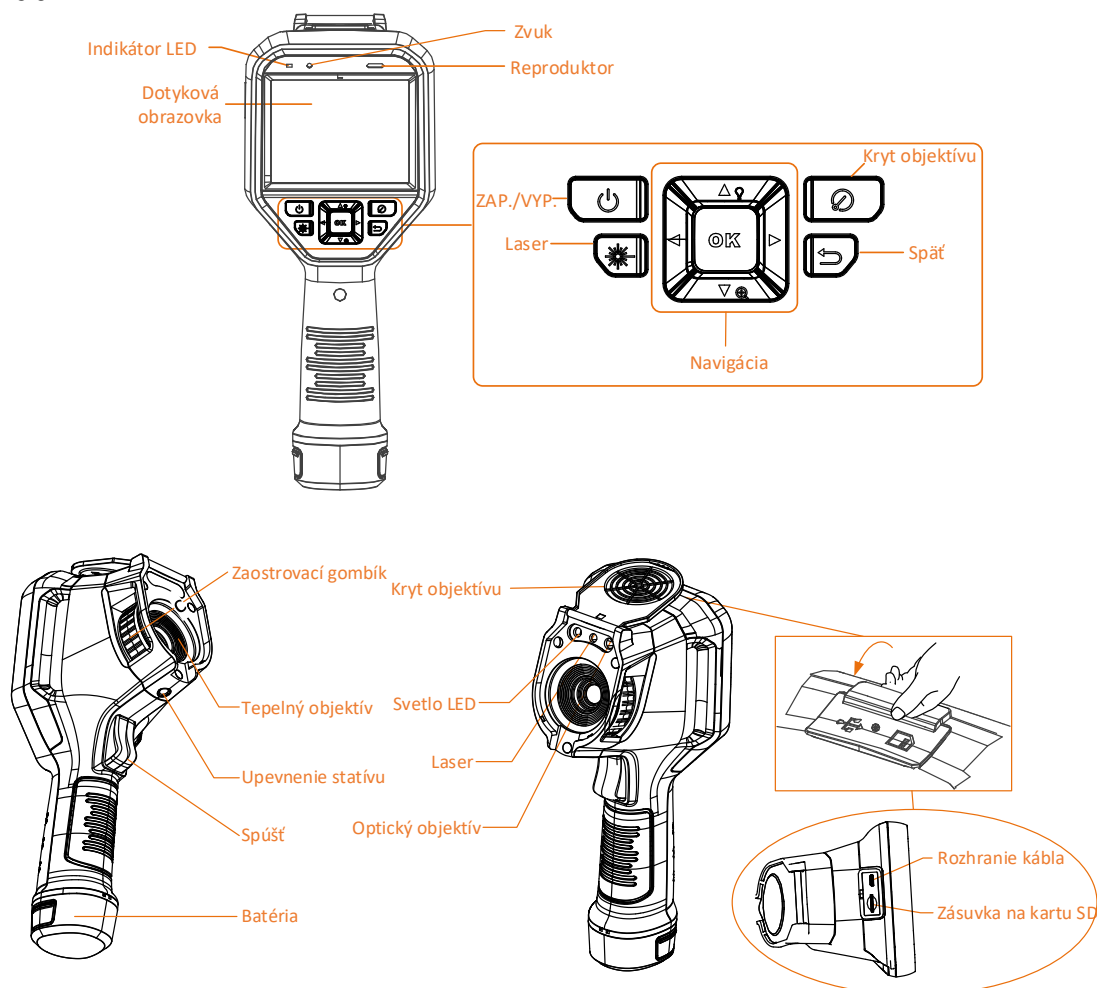
Systém Android



Systém iOS

Softvér iVMS 4800 môžete použiť na analýzu a generovanie obrazových správ offline. Klienta stiahnite tu: <https://www.hikvision.com/en/support/download/software/ivms-4800-temperature-measurement/>.

2. Vzhľad



Komponent	Funkcia
Navigačné tlačidlo	Režim ponuky: <ul style="list-style-type: none"> ● Stlačením tlačidiel ∇, \triangle, \triangleright a \triangleleft vyberte parametre. ● Na potvrdenie stlačte tlačidlo OK.
	Režim mimo ponuky: <ul style="list-style-type: none"> ● Stlačením tlačidla \triangle zapnite/vypnite dodatočné osvetlenie LED. ● Stlačením tlačidla ∇ spustíte digitálne priblíženie.
Tlačidlo lasera	Podržaním tlačidla zapnete laser, pustením tlačidla vypnete laser.
Tlačidlo krytu objektívu	Zakryte objektív na vykonanie korekcie.
Tlačidlo návratu	Ukončenie ponuky alebo návrat do predchádzajúcej ponuky.
Zaostrovací gombík	Upravte ohniskovú vzdialenosť objektívu.
Spúšť	Potiahnutím spúšte môžete snímať. Podržaním spúšte môžete nahrávať videá.
Rozhranie kábla	Zariadenie je možné nabíjať a súbory je možné exportovať pomocou dodaného kábla.

3. Nabíjanie zariadenia

Po spustení zariadenia sa na obrazovke (OSD) zobrazí stav batérie. Ak je batéria slabá, zariadenie nabíjate, čím zabezpečíte jeho správnu činnosť.

3.1 Nabíjanie zariadenia cez káblové rozhranie

Kroky

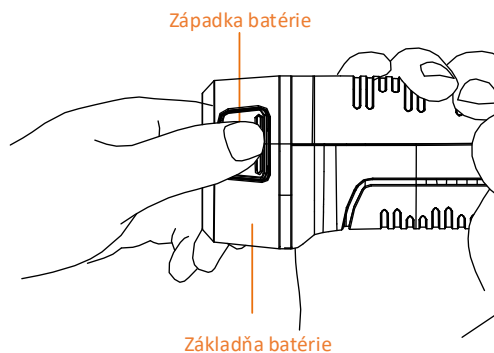
1. Zdvihnite kryt rozhrania.
2. Pripojte kábel, aby ste nabili zariadenie.

3.2 Nabíjanie zariadenia pomocou nabíjacej základne

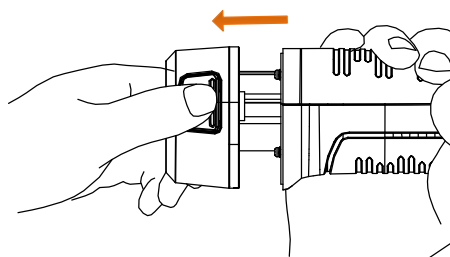
Nabíjaciu základňu je potrebné zakúpiť osobitne.

Kroky:

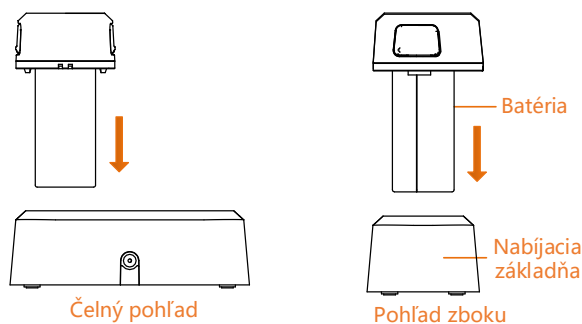
1. Držte zariadenie a stlačte obidve západky batérie na zariadení.



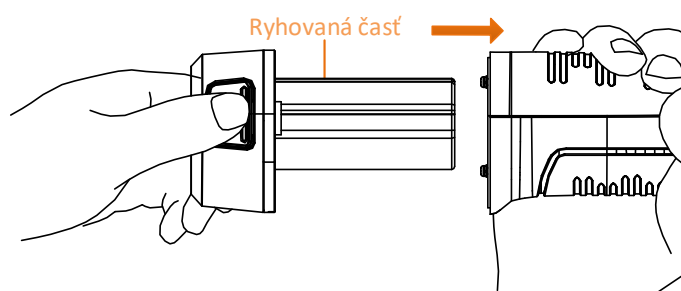
2. Držte západky a potiahnite základňu batérie, aby ste vybrali batériu.



3. Vložte batériu do nabíjacej základne. Stav nabíjania môžete sledovať pomocou kontrolky na nabíjacej základni.



4. Keď je batéria úplne nabitá, vytiahnite ju z nabíjacej základne.
5. Zarovnajzte ryhovanú časť na batérii so zárezom zariadenia a vložte batériu do zariadenia.



Návod na používanie



Právne informácie

Návod na používanie

©2020 Hangzhou Hikvision Digital Technology Co., Ltd. Všetky práva vyhradené.

Informácie o tomto návode

Návod obsahuje pokyny na používanie a spravovanie produktu. Obrázky, grafy, nákresy a všetky ďalšie informácie, ktoré sú v ňom uvedené, slúžia len na opis a vysvetlenie. Informácie uvedené v návode sa môžu zmeniť bez predchádzajúceho upozornenia v dôsledku aktualizácií firmvéru alebo iných príčin. Najnovšiu verziu tohto návodu nájdete na webovej stránke spoločnosti Hikvision (<https://www.hikvision.com>).

Používajte tento návod v súlade s pokynmi a radami odborníkov, ktorí sú vyškolení na obsluhu produktu.

Ochranné známky

HIKVISION a iné ochranné známky a logá spoločnosti Hikvision sú vlastníctvom spoločnosti Hikvision v rôznych jurisdikciách.

Iné ochranné známky a logá sú vlastníctvom príslušných majiteľov.

Odmietnutie zodpovednosti

V MAXIMÁLNO M ŽOŽNOM ROZSAHU, KTORÝ POVOĽUJÚ PRÍSLUŠNÉ PRÁVNE PREDPISY, SA TÁTO PRÍRUČKA A OPÍSANÝ PRODUKT SPOLU S JEHO HARDVÉROM, SOFTVÉROM A FIRMVÉROM, DODÁVAJÚ V STAVE „AKO SÚ“ A „SO VŠETKÝMI PORUCHAMI A CHYBAMI“. SPOLOČNOSŤ HIKVISION NEPOSKYTUJE ŽIADNE VÝSLOVNÉ ANI PREDPOKLADANÉ ZÁRUKY, OKREM INÉHO VRÁTANE ZÁRUKY PREDAJNOSTI, USPOKOJIVEJ KVALITY ALEBO VHODNOSTI NA KONKRÉTNY ÚČEL. POUŽÍVANIE PRODUKTU JE NA VAŠE VLASTNÉ RIZIKO. SPOLOČNOSŤ HIKVISION V ŽIADNOM PRÍPADE NENESIE ZODPOVEDNOSŤ ZA ŽIADNE OSOBITNÉ, NÁSLEDNÉ, NÁHODNÉ ALEBO NEPRIAME ŠKODY, OKREM INÉHO VRÁTANE ŠKÔD Z UŠLÉHO PODNIKATEĽSKÉHO ZISKU, PRERUŠENIA PODNIKANIA, STRATY ÚDAJOV, POŠKODENIA SYSTÉMOV ALEBO STRATY DOKUMENTÁCIE, ČI UŽ NA ZÁKLADE PORUŠENIA ZMLUVY, PREČINU (VRÁTANE NEDBALOSTI), ZODPOVEDNOSTI ZA PRODUKT ALEBO INAK V SÚVISLOSTI S POUŽÍVANÍM PRODUKTU, A TO ANI V PRÍPADE, AK BOLA SPOLOČNOSŤ HIKVISION UPOZORNENÁ NA MOŽNOSŤ TAKÝCHTO ŠKÔD.

UZNÁVATE, ŽE POVAHA INTERNETU UMOŽŇUJE INHERENTNÉ BEZPEČNOSTNÉ RIZIKÁ A SPOLOČNOSŤ HIKVISION NENESIE ŽIADNU ZODPOVEDNOSŤ ZA NEŠTANDARDNÚ PREVÁDZKU, ÚNIK OSOBNÝCH ÚDAJOV ANI ZA INÉ ŠKODY V DÔSLEDKU KYBERNETICKÉHO ÚTOKU, HAKERSKÉHO ÚTOKU, VÍRUSOVEJ INFEKCIE ALEBO INÝCH BEZPEČNOSTNÝCH RIZÍK SIETE INTERNET; V PRÍPADE POTREBY VŠAK SPOLOČNOSŤ HIKVISION POSKYTNE VČASNÚ TECHNICKÚ PODPORU.

SÚHLASÍTE S POUŽÍVANÍM TOHTO PRODUKTU V SÚLADE SO VŠETKÝMI PRÍSLUŠNÝMI ZÁKONMI A NESIETE VÝHRADNÚ ZODPOVEDNOSŤ ZA ZABEZPEČENIE, ABY VAŠE POUŽÍVANIE BOLO V SÚLADE S PRÍSLUŠNÝMI ZÁKONMI. STE OBZVLÁŠŤ ZODPOVEDNÍ ZA POUŽÍVANIE TOHTO PRODUKTU SPÔSOBOM, KTORÝ NEPORUŠUJE PRÁVA TRETÍCH STRÁN, OKREM INÉHO PRÁVA PUBLICITY, PRÁVA DUŠEVNÉHO VLASTNÍCTVA, PRÁVA NA OCHRANU ÚDAJOV A INÉ PRÁVA NA OCHRANU SÚKROMIA. TENTO PRODUKT NESMIETE POUŽÍVAŤ NA ŽIADNE ZAKÁZANÉ ÚČELY VRÁTANE VÝVOJA ALEBO VÝROBY ZBRANÍ HROMADNÉHO NIČENIA, VÝVOJA ALEBO VÝROBY CHEMICKÝCH ALEBO BIOLOGICKÝCH ZBRANÍ, AKÝCHKOLĽEK AKTIVÍT V SÚVISLOSTI S AKOUKOLĽEK JADROVOU VÝBUŠNINOU ALEBO NEBEZPEČNÝM CYKLOM JADROVÉHO PALIVA, ALEBO NA PODPORU ZNEUŽÍVANIA ĽUDSKÝCH PRÁV.

V PRÍPADE AKÉHOKOLĽEK NESÚLADU MEDZI TOUTO PRÍRUČKOU A PRÍSLUŠNÝMI PRÁVNÝMI PREDPISMI MAJÚ PREDNOSŤ PRÍSLUŠNÉ PRÁVNE PREDPISY.

Regulačné informácie

Informácie o predpisoch FCC

Upozorňujeme, že zmeny alebo modifikácie, ktoré nie sú výslovne schválené stranou zodpovednou za dodržiavanie súladu, môžu anulovať právo používateľa na prevádzku tohto zariadenia.

Súlad s predpismi FCC: Zariadenie bolo testované a zodpovedá limitom pre digitálne zariadenia triedy B v súlade s predpismi FCC, časť 15. Tieto limity boli navrhnuté, aby poskytli primeranú ochranu pred škodlivým rušením pri montáži zariadenia v obytnom prostredí. Toto zariadenie vytvára, používa a môže vysielat' rádiovú frekvenciu energiu, a ak sa nemontuje a nepoužíva v súlade s pokynmi, môže spôsobiť škodlivé rušenie rádiovéj komunikácie. Nie je však možné zaručiť, že pri konkrétnom type montáže nedôjde k rušeniu. Ak toto zariadenie spôsobí škodlivé rušenie príjmu rádiového alebo televízneho signálu, čo je možné určiť vypnutím a opätovným zapnutím zariadenia, odporúčame používateľovi odstrániť rušenie jedným z týchto opatrení:

- Zmeniť smerovanie alebo umiestnenie antény.
- Zväčšiť vzdialenosť medzi zariadením a prijímačom.
- Pripojiť zariadenie do zásuvky elektrického obvodu, ktorý je iný ako obvod, do ktorého je zapojený prijímač.
- Požiadat' o pomoc predajcu alebo skúseného rádiového/televízneho technika.

Namontujte a prevádzkujte toto zariadenie tak, aby bola vzdialenosť medzi vysielačom a vašim telom najmenej 20 cm.

Podmienky predpisov FCC

Toto zariadenie je v súlade s predpismi FCC, časť 15. Na prevádzku musia byť splnené tieto dve podmienky:

1. Toto zariadenie nesmie spôsobovať škodlivé rušenie.
2. Toto zariadenie musí prijať akékoľvek vonkajšie rušenie, vrátane rušenia, ktoré môže spôsobiť nežiaducu prevádzku.

Vyhlasenie o súlade s predpismi EÚ



Tento produkt a aj prípadné dodávané príslušenstvo sú označené značkou „CE“ a sú preto v súlade s príslušnými harmonizovanými európskymi normami uvedenými v smernici EMC 2014/30/EÚ, smernici RoHS 2011/65/EÚ



2012/19/EÚ (smernica o odpade z elektrických a elektronických zariadení): Produkty označené týmto symbolom sa v rámci Európskej únie nesmú likvidovať spolu s netriedeným komunálnym odpadom. Po zakúpení ekvivalentného nového zariadenia zrecyklujte produkt tým, že ho odovzdáte miestnemu dodávateľovi alebo ho zlikvidujete na určených zberných miestach. Ďalšie informácie nájdete na: www.recyclethis.info.



2006/66/ES (smernica o batériách): Tento produkt obsahuje batériu, ktorá sa v rámci Európskej únie nesmie likvidovať spolu s netriedeným komunálnym odpadom. Konkrétne informácie o batérii nájdete v dokumentácii produktu. Batéria je označená týmto symbolom, ktorý môže obsahovať písmená označujúce obsah kadmia (Cd), olova (Pb) alebo ortuti (Hg). Zrecyklujte batériu tým, že ju odovzdáte dodávateľovi alebo ju zlikvidujete na určenom zbernom mieste. Ďalšie informácie nájdete na: www.recyclethis.info.

Súlad s normami Industry Canada ICES-003

Toto zariadenie spĺňa požiadavky noriem CAN ICES-3 (B)/NMB-3(B).

Toto zariadenie je v súlade s normami RSS vyňatých z licencií úradu Industry Canada. Na prevádzku musia byť splnené tieto dve podmienky:

- (1) toto zariadenie nesmie spôsobovať rušenie a
- (2) toto zariadenie musí prijať akékoľvek rušenie vrátane rušenia, ktoré môže spôsobiť poruchy fungovania zariadenia.

Podľa predpisov úradu Industry Canada môže tento rádiový vysielač pracovať iba s anténou takého typu a maximálnym (alebo menším) zosilnením, aké pre daný vysielač schválil úrad Industry Canada. Na obmedzenie potenciálneho rádiového rušenia ostatných používateľov by sa typ antény a jej zosilnenie mali zvoliť tak, aby ekvivalentný izotropne vyžarovaný výkon (e. i. r. p.) nebol väčší, ako je potrebný na úspešnú komunikáciu. Namontujte a prevádzkujte toto zariadenie tak, aby bola vzdialenosť medzi vysielačom a vaším telom najmenej 20 cm.

Bezpečnostné pokyny

Tieto pokyny slúžia na zabezpečenie správneho používania produktu používateľom s cieľom predchádzať vzniku nebezpečenstva alebo majetkovým stratám.

Právne predpisy a nariadenia

- Používanie produktu musí byť v prísnom súlade s miestnymi elektroinštalačnými bezpečnostnými predpismi.

Preprava

- Pri preprave ponechajte zariadenie v pôvodnom alebo podobnom balení.
- Po rozbalení si všetky obaly odložte na budúce použitie. V prípade výskytu poruchy bude potrebné, aby ste zariadenie vrátili do výrobcovi v pôvodnom obale. Pri preprave bez pôvodného obalu môže dôjsť k poškodeniu zariadenia a spoločnosť za to nebude niesť žiadnu zodpovednosť.
- Chráňte zariadenie pred pádom alebo nárazom. Zariadenie chráňte pred magnetickým rušením.

Zdroj napájania

- Vstupné napätie by malo spĺňať podmienky veľmi nízkeho napätia (5 V jednosmerný prúd, 2 A) podľa normy IEC61010-1. Podrobné informácie nájdete v technických špecifikáciách.
- Skontrolujte, či je zástrčka správne pripojená k napájacej zásuvke.
- K jednému napájaciemu adaptéru NEPRIPÁJAJTE viacero zariadení, aby nedošlo k prehriatiu alebo riziku požiaru v dôsledku preťaženia.

Batéria

- Nesprávne používanie alebo výmena batérie môžu viesť k nebezpečenstvu výbuchu. Batériu nahrádzajte iba rovnakým alebo ekvivalentným typom. Batéria je typu E97-13-1S1P26650. Použité batérie zlikvidujte podľa pokynov výrobcu batérie.
- S dodanou nabíjačkou nenabíjajte iné typy batérií. Počas nabíjania skontrolujte, či sa do 2 m od nabíjačky nenachádza žiadny horľavý materiál.
- Pri dlhodobom uskladnení batériu každý polrok úplne nabite, čím zaistíte jej kvalitu. V opačnom prípade môže dôjsť k poškodeniu.
- Batériu NEDÁVAJTE do blízkosti zdrojov tepla alebo ohňa. Vyvarujte sa priameho slnečného žiarenia.
- Batériu NEPREHĽTAJTE, aby nedošlo k popáleniu chemikáliami.
- Batériu NEDÁVAJTE do dosahu detí.

Údržba

- Ak produkt nepracuje správne, obráťte sa na predajcu alebo na najbližšie servisné stredisko. Nepreberáme žiadnu zodpovednosť za problémy spôsobené neoprávnenou opravou alebo údržbou.
- Niekoľko komponentov zariadenia (napr. elektrolytický kondenzátor) si vyžaduje pravidelnú výmenu. Priemerná doba životnosti sa líši, preto odporúčame pravidelnú kontrolu. So žiadosťou o ďalšie podrobnosti sa obráťte na predajcu.
- V prípade potreby zariadenie jemne utrite čistou handričkou a malým množstvom etanolu.
- Ak produkt nepracuje správne, obráťte sa na predajcu alebo na najbližšie servisné stredisko. Nepreberáme žiadnu zodpovednosť za problémy spôsobené neoprávnenou opravou alebo údržbou.

Prevádzkové prostredie

- Zariadenie NEVYSTAVUJTE extrémne horúcemu, chladnému, prašnému, korozívnemu, slanému alkalickému alebo vlhkému prostrediu. Zabezpečte, aby prevádzkové prostredie spĺňalo požiadavky zariadenia. Prevádzková teplota zariadenia by mala byť -10 °C až 50 °C (14 °F až 122 °F) a prevádzková vlhkosť by mala byť 90 % alebo nižšia.
- Toto zariadenie sa môže bezpečne používať iba v oblastiach s nadmorskou výškou nižšou ako 2000 metrov.
- Zariadenie umiestnite v suchom a dobre vetranom prostredí.
- Zariadenie NEVYSTAVUJTE silnému elektromagnetickému žiareniu ani prašnému prostrediu.
- Šošovkou NEMIERTE na slnko ani na žiadny iný silný zdroj svetla.
- Pri používaní akéhokoľvek laserového vybavenia zabezpečte, aby šošovka zariadenia nebola vystavená laserovému lúču, inak sa môže vypáliť.

Núdzový režim

- Ak zo zariadenia vychádza dym, zápach alebo hluk, ihneď vypnite napájanie, odpojte napájací kábel a obráťte sa na servisné stredisko.

Laser



Upozornenie: Laserové žiarenie vysielané zo zariadenia môže spôsobiť zranenie očí, popálenie pokožky alebo zapálenie horľavých látok. Pred zapnutím funkcie dodatočného osvetlenia skontrolujte, či sa pred laserovou šošovkou nenachádza žiadna osoba ani horľavá látka.

Adresa výrobcu

No.555 Qianmo Road, Binjiang District, Hangzhou 310052, China
Hangzhou Hikvision Digital Technology Co., Ltd



See Far, Go Further