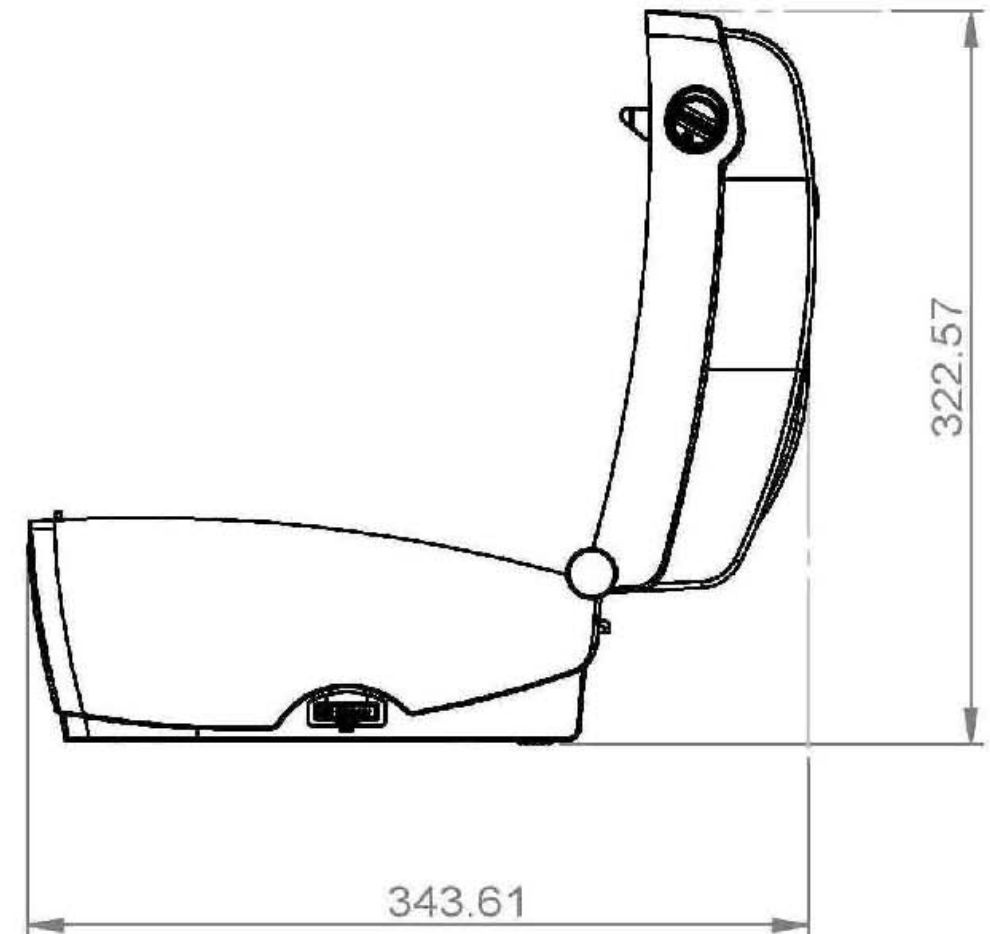
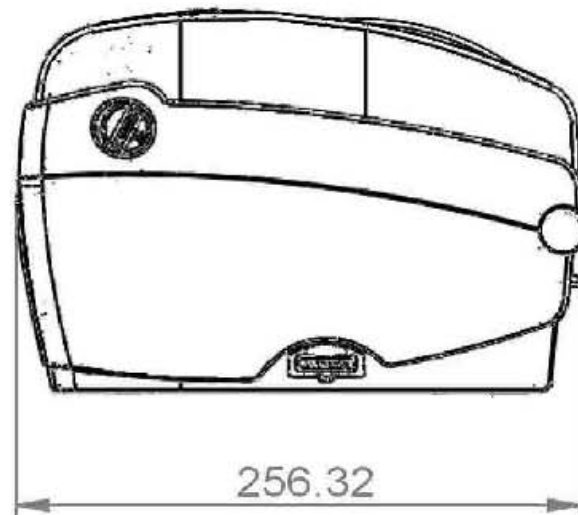
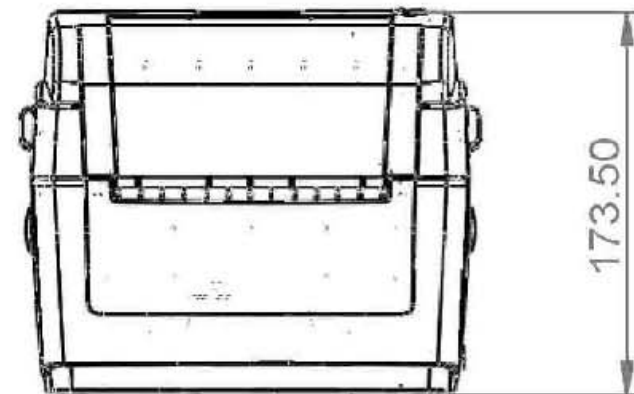
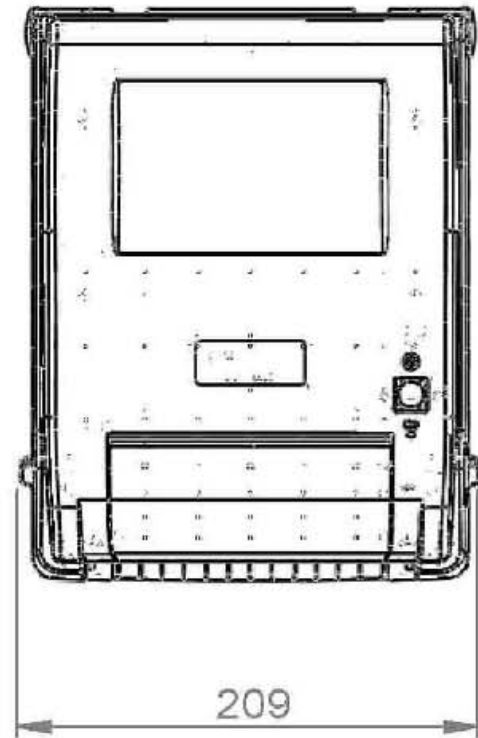


SW2009



Revision level		Revision Record	Changed	Date	Approved	Date
Drawing	Part					
00	-	SEE ECN# 011477	TJM	01/28/2010	TJM	01/28/2010



NOT TO SCALE
UNITS: mm

NOT TO SCALE
UNITS: mm

Notes ALL DIMENSIONS PROVIDED FOR REFERENCE ONLY	Material	Units	The copyright of this drawing is reserved by HellermannTyton. It is issued on condition that it is not reproduced, copied, or disclosed to a third party, either wholly or in part, without the consent of HellermannTyton.	Drawn	TJM	01/28/2010	Article/Type-No	556-00230	Scale	1:1	
	TT230SM PRINTER	mm		Dimension without tolerances details to:	Approved	TJM	01/28/2010	Title	TT230SM PRINTER	Project Number	PRP09-0702
				 North America Email: corp@htamericas.com Web: www.hellermann.tyton.com			Drawing-No	Production : Phase	Format	B	
										TS09-0702-001CST	