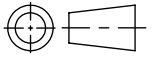
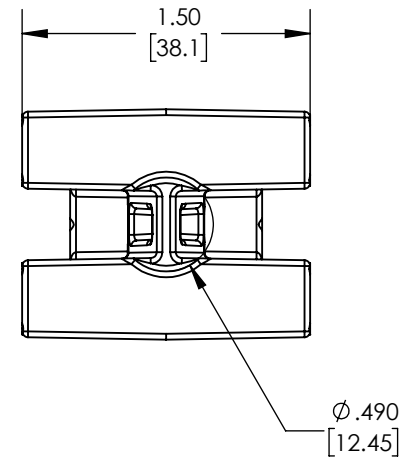
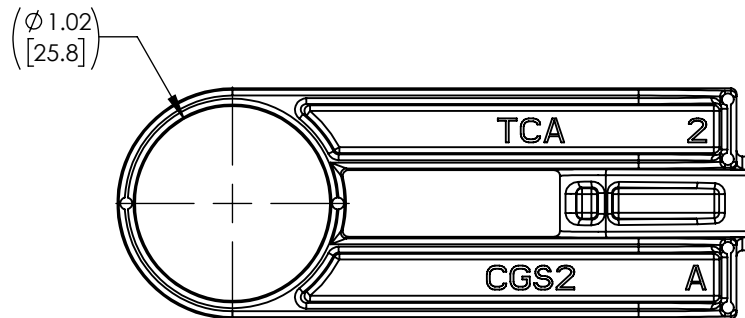
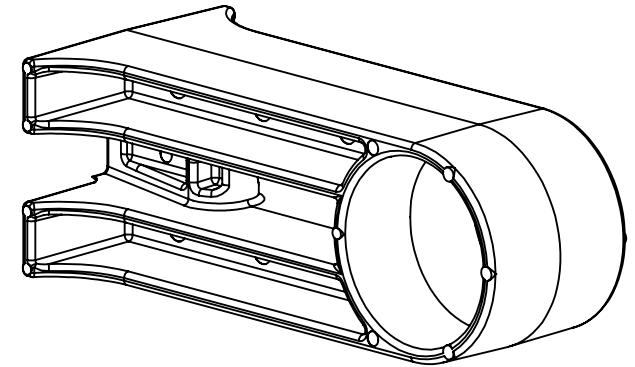
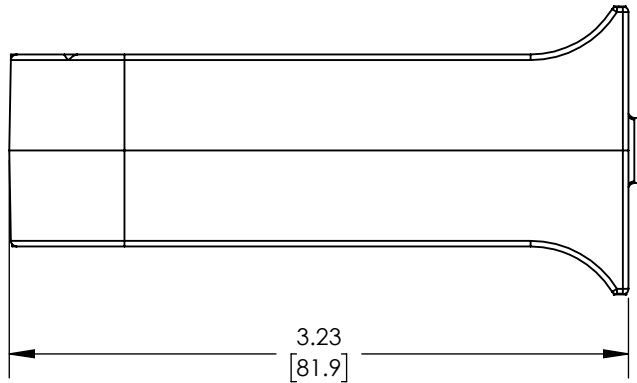


SW

**SPECIAL FEATURES:**

1. DESIGNED FOR USE WITH BT105 OR BT130 TIES
2. HOLE LOCATING PROTRUSION FOR 1/2" MOUNTING HOLE

Revision level			Revision Record	Changed	Date	Approved	Date
Drawing	State	Part					
03.1	Design Release	-	SEE ECN# 014912	CTF	02/05/2019	KAC	02/05/2019



Material
PA66HIRHSUV

Units: inches

Dimension without tolerances details to:

.xxxx = ± .0005
.xxx = ± .005
.xx = ± .01
.x = ± .03
None = ± .06
∠ = ± 0.5°

Dimension Formatted in/[mm]

The copyright of this drawing is reserved by HellermannTyton. It is issued on condition that it is not reproduced, copied, or disclosed to a third party, either wholly or in part, without the consent of HellermannTyton.

Drawn SAD 11/29/06
Approved GGG 11/30/06

HellermannTyton

North America
Email: corp@htamericas.com
Web: www.hellermann.tyton.com

Article/Type-No CGS2

Title STANDOFF CABLE GUIDE

Drawing-No

PRODUCTION : Phase

MT06-016-002CST

Scale 1:1

Project Number

PRP 06-016

Format AH

Sheet 1/1

03.1