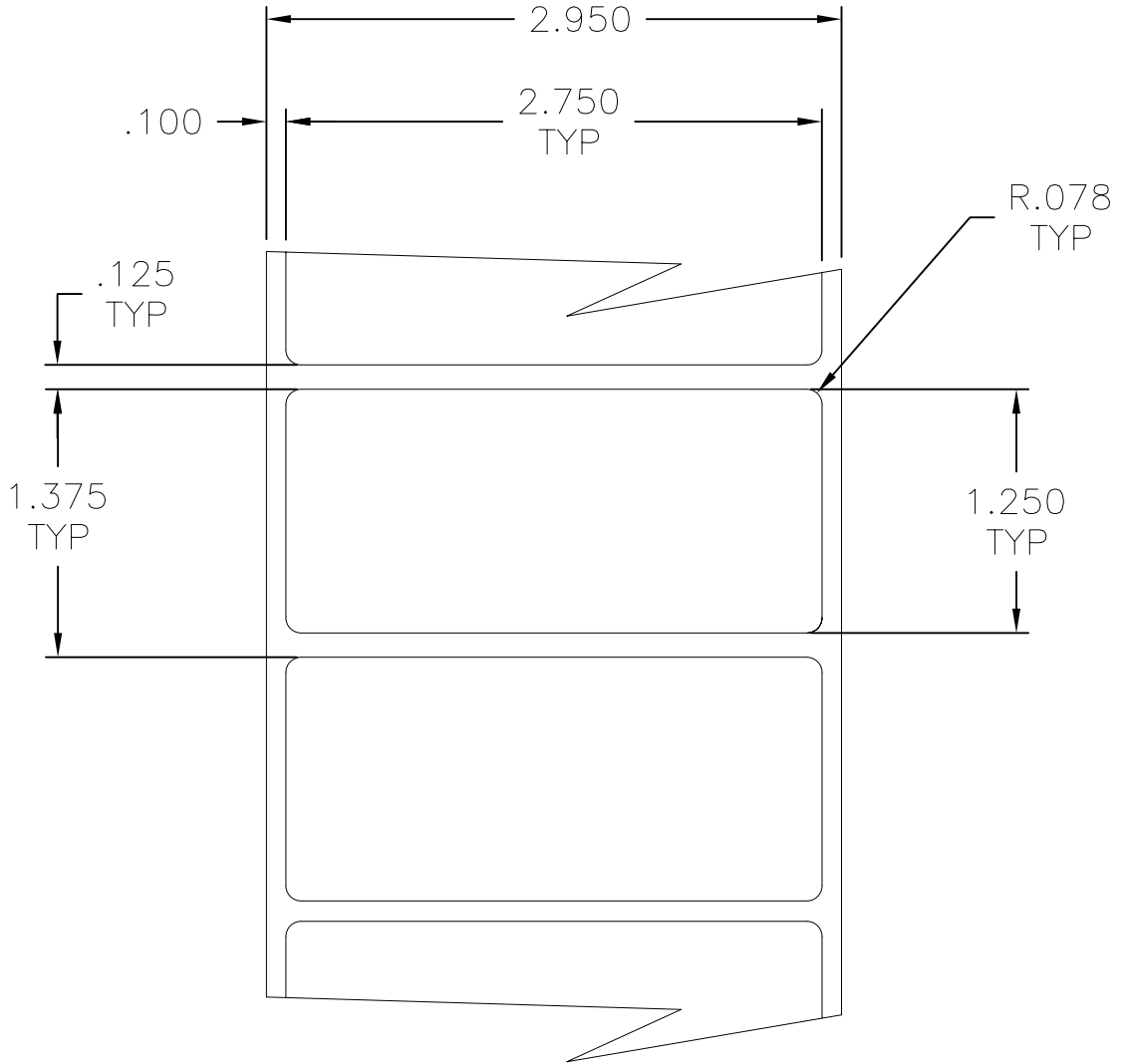


PRO-TEK™

name	date	city, state

NOTES



3,000 LABELS PER ROLL
1 ACROSS

PART NUMBER	MATERIAL
TAG72T1-795	795 - METALIZED POLYESTER
TAG72T1-822	822 - WHITE POLYESTER



REVISION	D	level	$\triangle B$
	A	date	09/22/99
	W	by	AAM
	G	ECN #	001482
part level		A	

DIMENSIONS	T	.XXXX=	
	O	.XXX=	$\pm .010$
	L	.XX=	
	E	.X=	
	R	\angle =	
unless otherwise specified		units inches	

PART	number	SEE CHART	phase	PRODUCTION
	name	TAG72T1 THERMAL TRANSFER BLANK LABEL		
	material	SEE CHART		

DRAWING	FORMAT	AV	version	K	CAD	ACAD	scale	1X
	computer file number	LA/CST/3002008B						
	drawn	K.A.C.	checked	K.A.C.	approved			
	date	04/27/94	checked	10/11/99	approved			
type	DETAIL						sheet	1 of 1
number	LA3002008DTL							