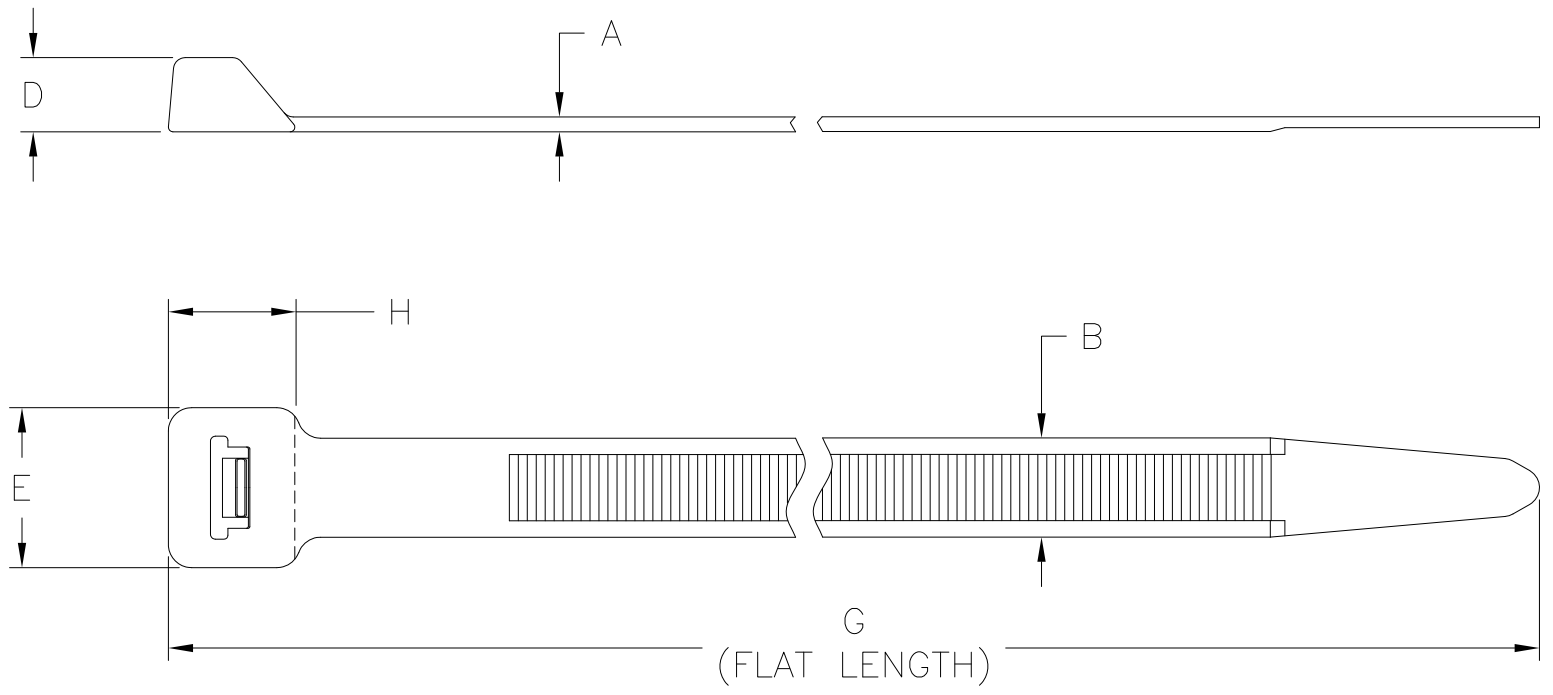


Revision level		Revision Record	Changed	Date	Approved	Date
part	drawing					
—	07					



Type	Cable Range (mm)	Material	A	B	D	E	G	H	Min Loop Tensile Strength (newtons)
T255S	12.5 to 50	PA66 PA66HIRHSUV	1.8±0.2	12.6±0.3	9.3 ±0.3	20.0 ±0.5	225.0 ±5.0	15.5 ±1.2	1115

SEE CHART

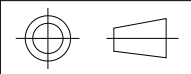
Material

Dimension tolerances unless otherwise specified
 .XXXX = ± .0130
 .XXX = ± .130
 .XX = ± .30
 .X = ± .8
 ∠ = ± 0.5 °

Dimension Units mm

PERFORMANCE SPECIFICATION

ACAD MECH
2010



Drawn A.A.M. 12/06/00
 Approved K.A.C. 06/17/13

Scale 1:1
 Title T255S 250 LB CABLE TIE WITHOUT BUCKLE MOUNT
 Computer File Number CT\CST\2252003_07

ALL PROPRIETARY RIGHTS IN THE SUBJECT MATTER SHOWN ON THIS DRAWING ARE EXCLUSIVE PROPERTY OF HELLERMANNTYTON

HellermannTyton

7930 N. Faulkner Rd.
 Milwaukee, WI 53224
 Ph: (414) 355-1130
 Fx: (414) 362-8338

Drawing-No **CT2252003CST**
 Format AH
 Sheet 1 of 1