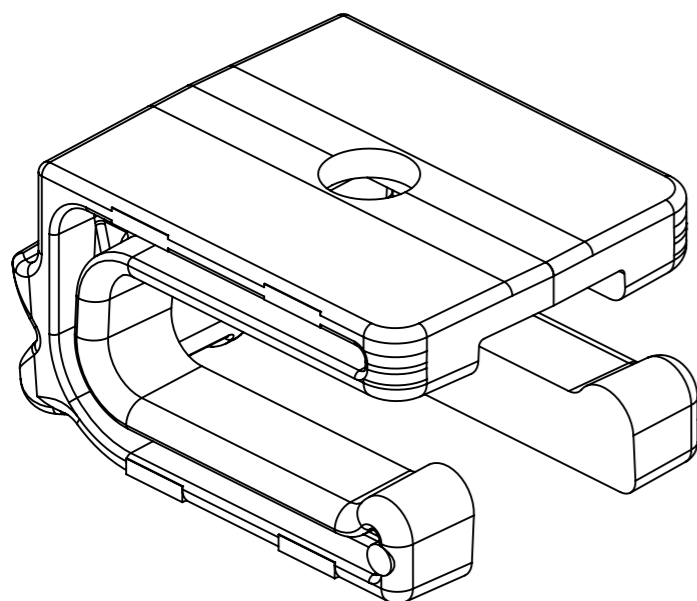
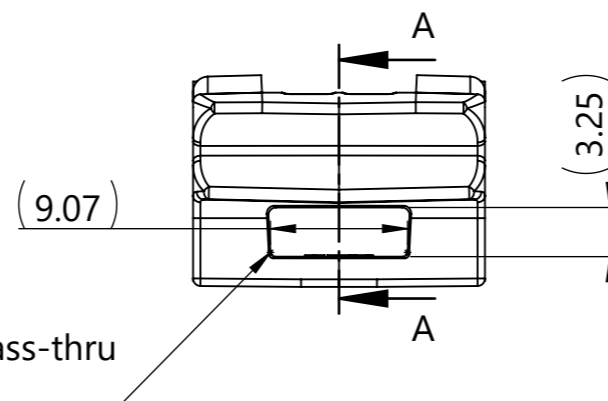
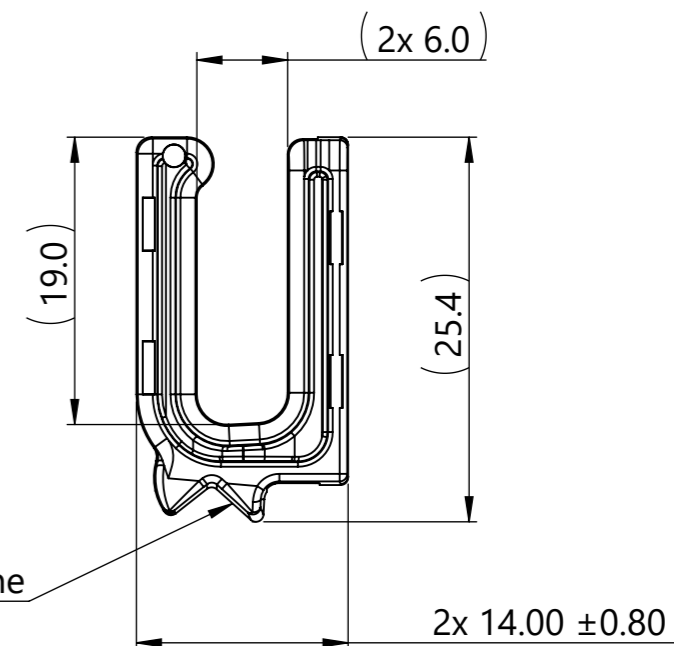
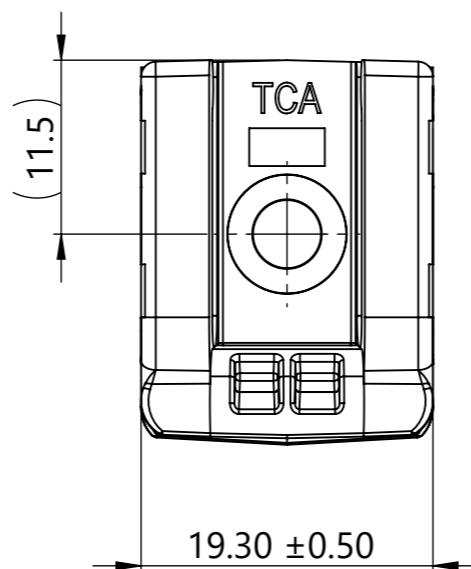


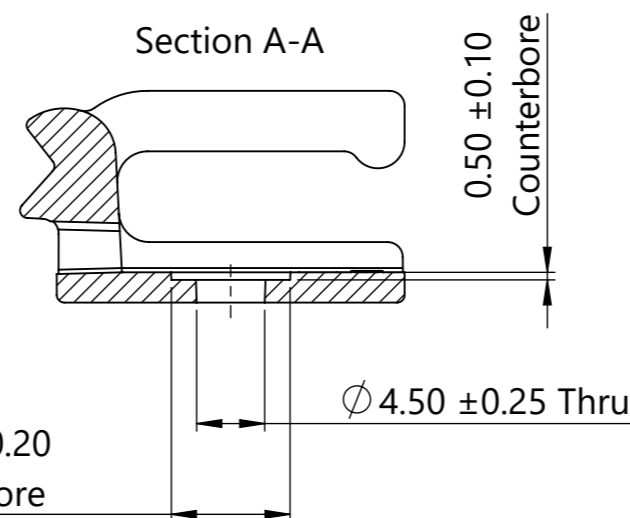
Vertical Face Orientation  
Scale 3:1



Downward Face Orientation  
Scale 3:1



Cable tie pass-thru  
See note 4



03.3

- Performance notes:
- PA66HIRHS(REC100), PA66STHS performance requirements are validated at dry as molded ( $\leq 0.5\%$  H<sub>2</sub>O by weight)
  - Load testing
    - Downward Face
      - 31 N [7 lbf] minimum without cable tie
      - 67 N [15 lbf] minimum with cable tie
    - Vertical Face
      - 67 N [15 lbf] minimum without cable tie
  - Mounting screw size:
    - M4
    - #8 [0.164in]
  - Accommodates cable tie series: T18 - T120

- Notes:
- Material: See chart
  - Material color: See chart
  - Maximum percent regrind permissible: 0%
  - Maximum allowable flash to be: 0.25mm
  - Maximum allowable mismatch to be: 0.10mm

03.3

03.3

Part Description	Material	Color
CTCM6CZS-PA66HIRHS(REC100)-BK	PA66HIRHS(REC100)	Black
CTCM6CZS-PA66STHS-BK	PA66STHS	Black

Revision level		
Drawing	State	Part
03.3	Design Release	-
Changed	Date (YYYY/MM/DD)	
Mann	2024/07/08	
Approved	Date (YYYY/MM/DD)	
Uhler	2024/07/11	

Revision Record		
ECN	State	Part
311244	-	-

All drawing revision are stored in CAD PDM database

The copyright of this drawing is reserved by HellermannTyton.

Drawn: Mann, Date: 2023/07/20  
 Approved: Toll, Date: 2023/08/07  
**HellermannTyton**  
 www.HellermannTyton.com

Title: CTCM6CZS 6mm Cradle with Screw Mount and CutZone  
 Drawing-No: 23-0156-001-CSU  
 Scale: 2:1  
 Global Project Number: 23-0156  
 Format: A3  
 Sheet: 1/1