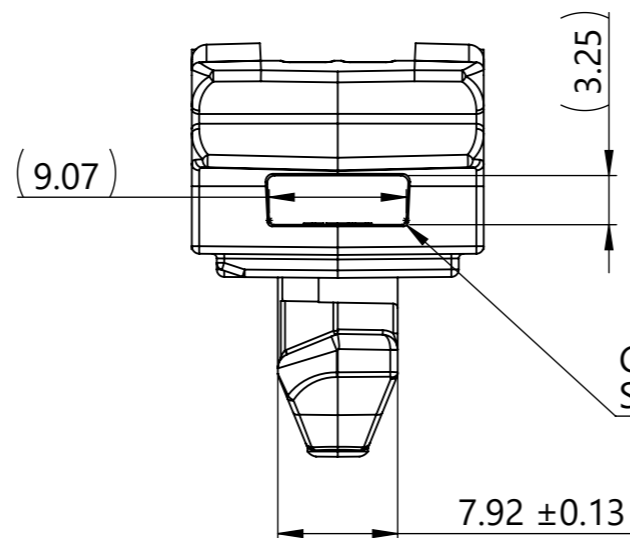
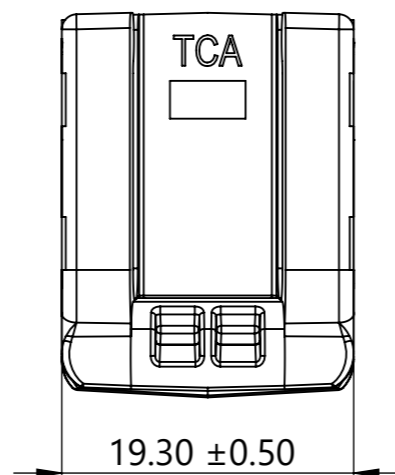
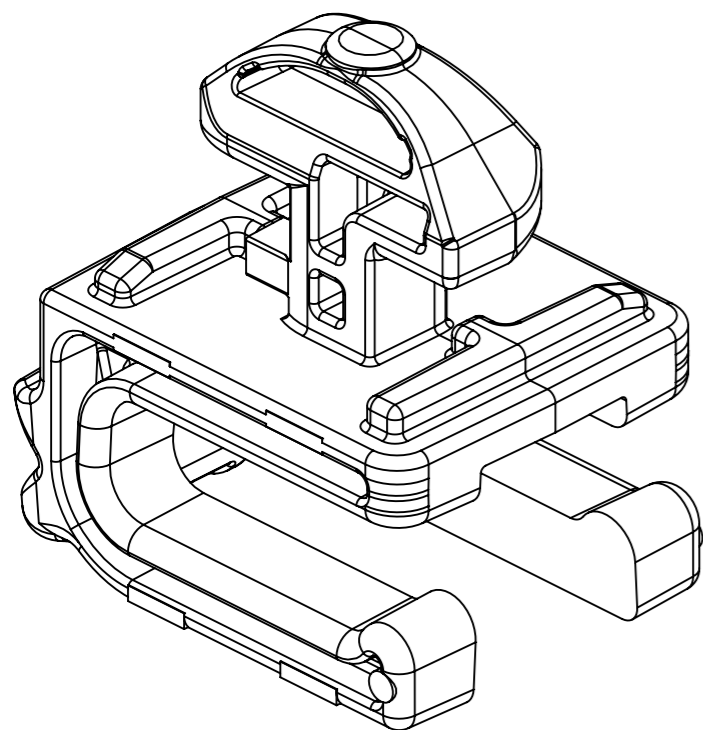
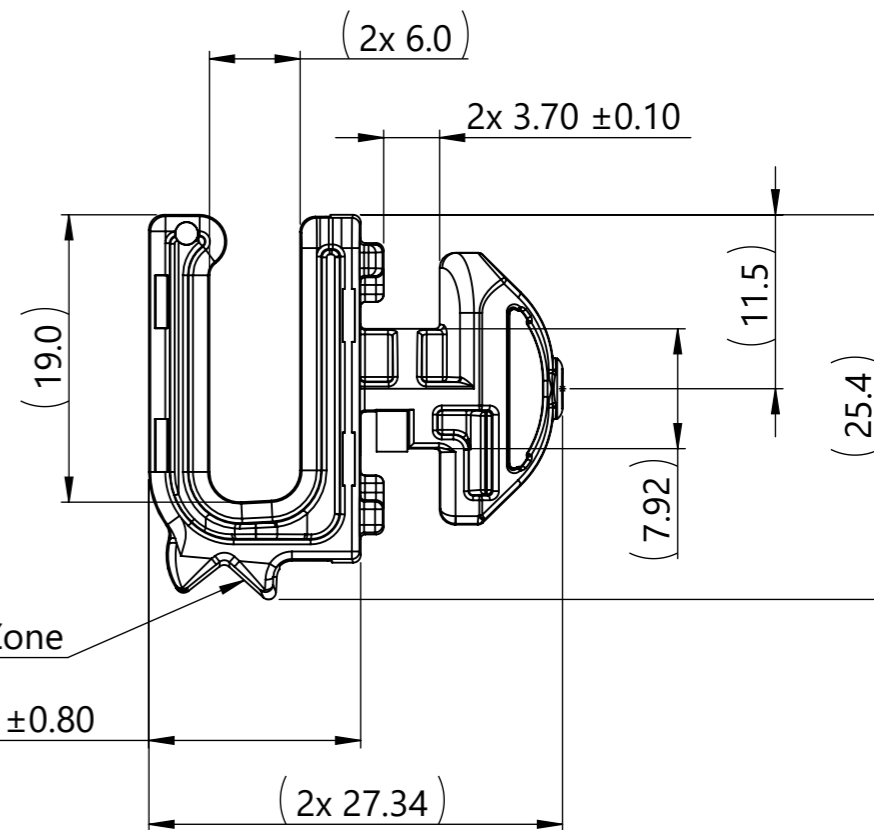


Vertical Face Orientation
Scale 3:1



Cable tie pass-thru
See note 4



Downward Face Orientation
Scale 3:1

03.3

- Performance notes:
- PA66HIRHS(REC100), PA66STHS performance requirements are validated at dry as molded ($\leq 0.5\%$ H₂O by weight)
 - Load testing
 - Downward Face
 - 31 N [7 lbf] minimum without cable tie
 - 67 N [15 lbf] minimum with cable tie
 - Vertical Face
 - 67 N [15 lbf] minimum without cable tie
 - Applicable aluminum framing T-slot width: 8mm [.320in]
 - Accommodates cable tie series: T18 - T120

Notes:

- Material: See chart
- Material color: See chart
- Maximum percent regrind permissible: 0%
- Maximum allowable flash to be: 0.25mm
- Maximum allowable mismatch to be: 0.10mm

03.3

03.3

Part Description	Material	Color
CTCM6CZF-PA66HIRHS(REC100)-BK	PA66HIRHS(REC100)	Black
CTCM6CZF-PA66STHS-BK	PA66STHS	Black

Revision level			Revision Record	
Drawing	State	Part	ECN 311244	
03.3	Design Release	-		
Changed	Date (YYYY/MM/DD)			
Mann	2024/07/08			
Approved	Date (YYYY/MM/DD)			
Uhler	2024/07/11			

The copyright of this drawing is reserved by HellermannTyton.

All drawing revision are stored in CAD PDM database

Drawn	Date (YYYY/MM/DD)
Mann	2023/07/20
Approved	Date (YYYY/MM/DD)
Toll	2023/08/07

Units
mm
HellermannTyton
www.HellermannTyton.com

Title	CTCM6CZF 6mm Cradle with Frame Mount and CutZone	Scale	2:1
Global Project Number	23-0154	Format	A3
Drawing-No	23-0154-001-CSU	Sheet	1/1