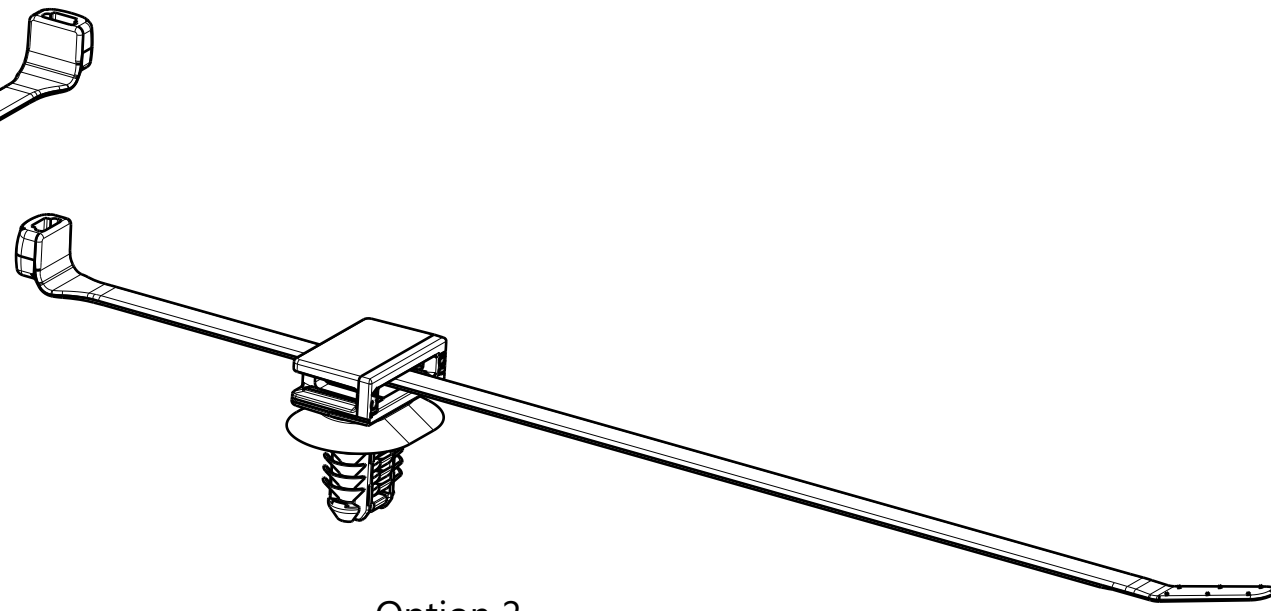


Option 1
Assembled example
for reference only



Option 2
Assembled example
for reference only

Reference:

- Cable tie
1. Material: See chart
 2. Material color: See chart

Performance requirements at 2.4% moisture by weight:

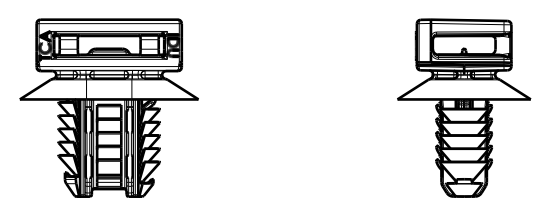
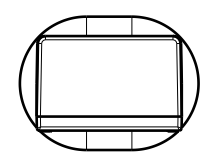
1. Cable tie min loop tensile strength: 225 newtons (50 lbf)

Mount

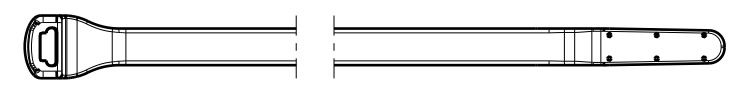
1. Material: See chart
2. Material color: See chart
3. Sheet metal thickness range: 0.60mm - 6.75mm
4. Applicable oval hole sizes:
 - A. 6.2 x 12.2mm +/-0.2
 - B. 6.5 x 12.5mm +0.2/-0.4
 - C. 6.5 x 13.0mm +/-0.2
 - D. 7.0 x 12.0mm +/-0.2

Performance requirements at dry as molded:

1. Fir tree push in force: 45 newtons (10 lbf) max in each applicable nominal oval hole size and a plate thickness of 1.8mm.
2. Fir tree pull out force: 110 newtons (25 lbf) min in each applicable nominal oval hole size and a plate thickness of 1.8mm.



Mount
Delivery condition: unassembled set



Cable tie
Delivery condition: unassembled set

Global Part Description	Bundle Range	Cable Ties			Mount		
		Drawing	Material	Color	Drawing	Material	Color
LPT50RSADFTOVAL-SET-PA66HS/PA66HIRHSUV-BK	4mm to 50mm	16-0362-001-CSU	PA66HS	Black	20-0891-001-CSU	PA66HIRHSUV	Black

Revision Level		
Drawing	State	Part
00.1	Design Release	
Changed	Date (YYYY/MM/DD)	
Rohde	2022/05/05	
Approved	Date (YYYY/MM/DD)	
Haftarski	2022/05/05	

Revision Record	
ECN 017001	

All drawing revisions are stored in CAD PDM database

The copyright of this drawing is reserved by HellermannTyton.

Drawn	Date (YYYY/MM/DD)
Rohde	2022/04/12
Approved	Date (YYYY/MM/DD)
Haftarski	2022/05/05

Title		Scale
LPT50R cable tie with oval fir tree mount		1:1
Drawing-No		Global Project Number
22-0119-101-CSU		22-0119
		Format
		A3
		Sheet
		1 / 1

HellermannTyton
www.HellermannTyton.com