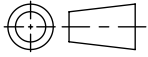
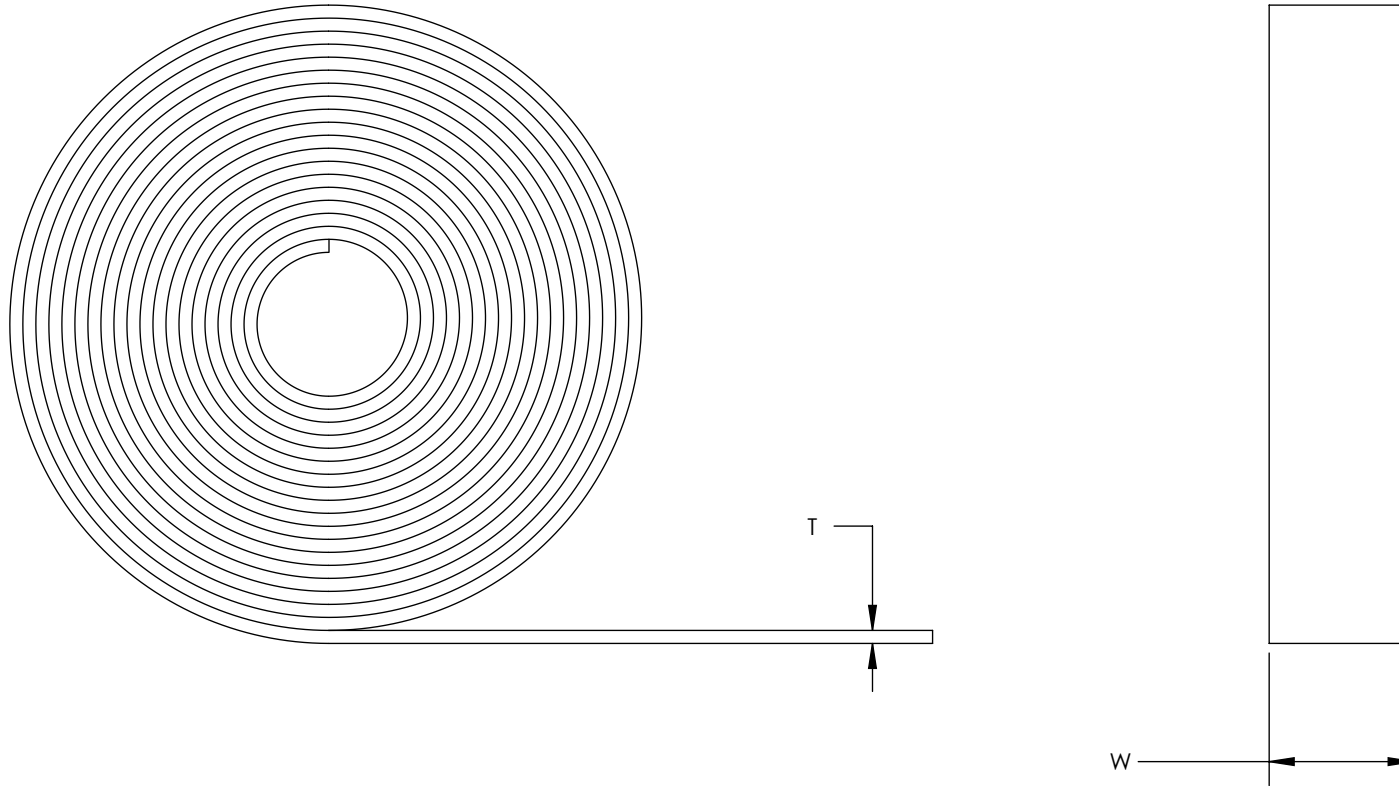


SW2015



Revision level			Revision Record	Changed	Date	Approved	Date
Drawing	State	Part					
00.0	Design Release		SEE ECN# 014402	CAS	4/18/2018	KAC	4/18/2018



- NOTES:
1. ADHESION: 17 OZ/INCH
 2. TENSILE STRENGTH: 20 LBS/INCH
 3. ELONGATION: 200%
 4. BREAKDOWN VOLTAGE: 8,600 V
 5. OPERATING TEMPERATURE: 0°F TO +194°F (-18°C TO +90°C)
 6. UL 510
 7. MIL-STD 1-24391-A

GLOBAL PART DESCRIPTION	TYPE	COLOR	THICKNESS (T)	WIDTH (W)	ROLL LENGTH	PKG. QTY.
ETCW66-PVC-BK	ETCW660	BLACK	.008	.75	66 FT	10 ROLLS

Material FLEXIBLE PVC	Units: inches	The copyright of this drawing is reserved by HellermannTyton. It is issued on condition that it is not reproduced, copied, or disclosed to a third party, either wholly or in part, without the consent of HellermannTyton.	Drawn	CAS	4/18/2018	Article/Type-No	ETCW660	Scale	1:1
	Dimension without tolerances details to: .xxxx = ±.0005 .xxx = ±.005 .xx = ±.01 .x = ±.03 None = ±.06 ∠ = ±0.5° Dimension Formatted in/[mm]		Approved	KAC	4/18/2018	Title	HEAVY DUTY VINYL COLD WEATHER ELECTRICAL TAPE	Project Number	PRP 18-1187
	<p>North America Email: corp@htamericas.com Web: www.hellermann.tyton.com</p>			Drawing-No	PRODUCTION : Phase		Format	AH	
				18-1187-001-CSU			Sheet	1/1	