
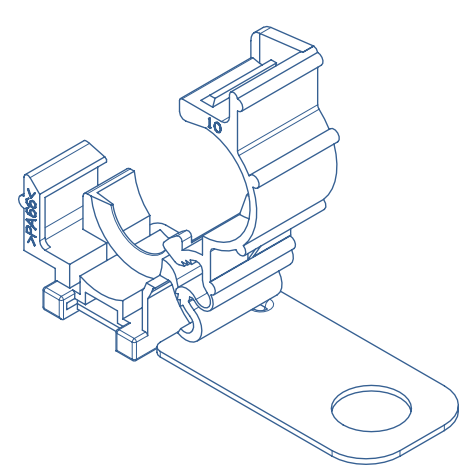
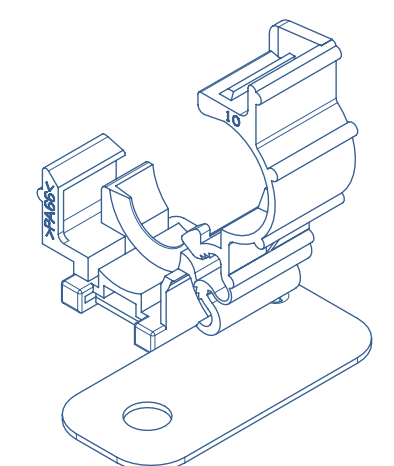


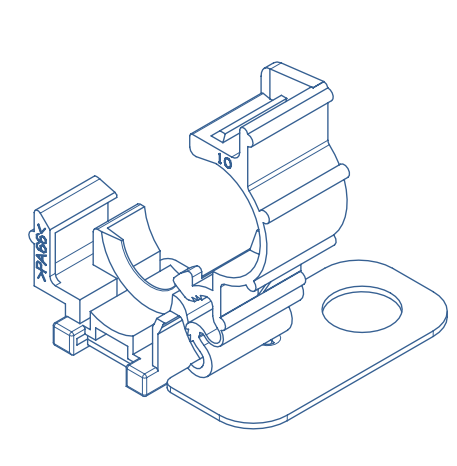
SYMBOL DEFINITION		MISSING SYMBOLS		Revision Level			Revision Record		Changed	Date	Approved	Date
A DIMENSION WITHOUT AN INSPECTION REPORT SYMBOL  DOES NOT REQUIRE INSPECTION. IT MAY BE CONTROLLED ON THE INDIVIDUAL COMPONENT DRAWING.		TOTAL NO. OF INSPECTIONS REQUIRED	16	Drawing	24.0	State	Design Release	Part	SEE ECN#	014085	RJE	08/16/17
		LAST NO. USED	16									



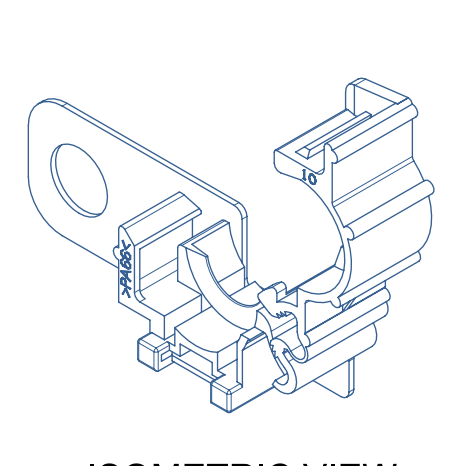
ISOMETRIC VIEW



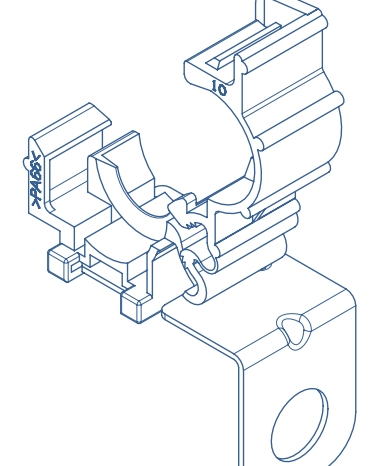
ISOMETRIC VIEW



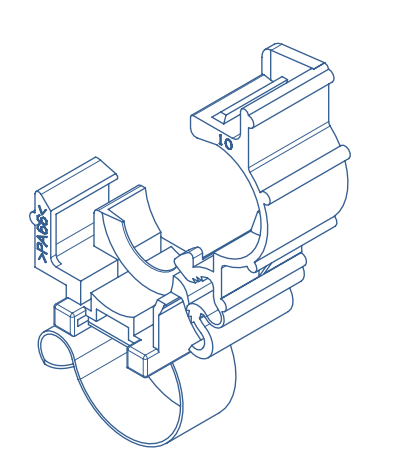
ISOMETRIC VIEW



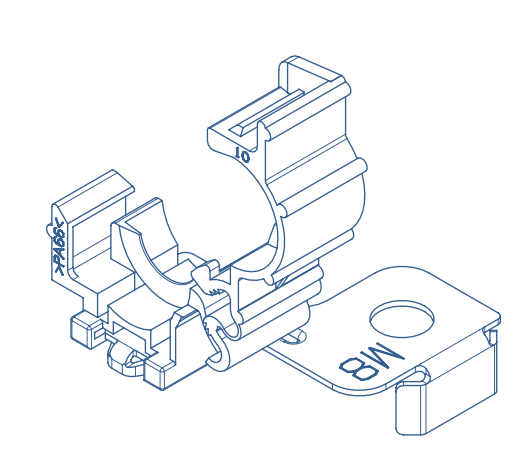
ISOMETRIC VIEW



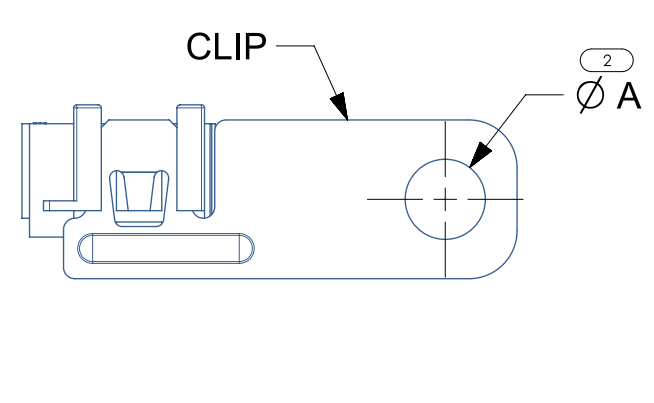
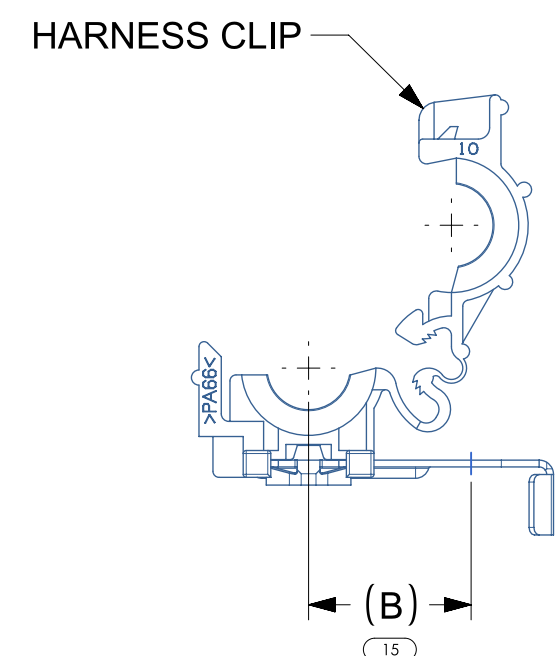
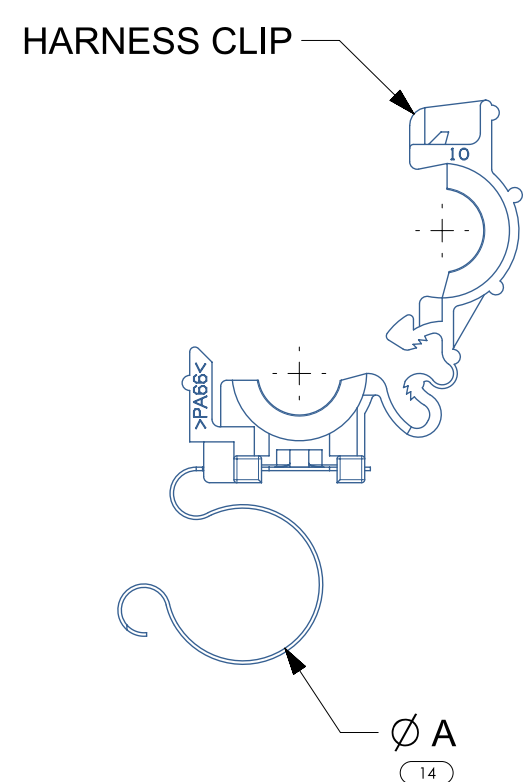
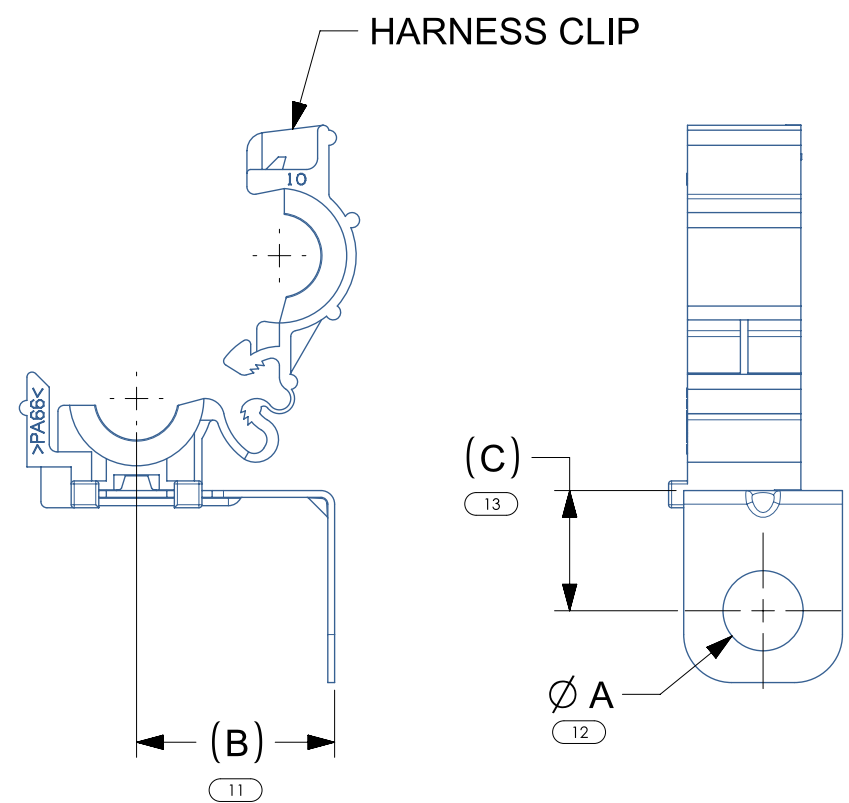
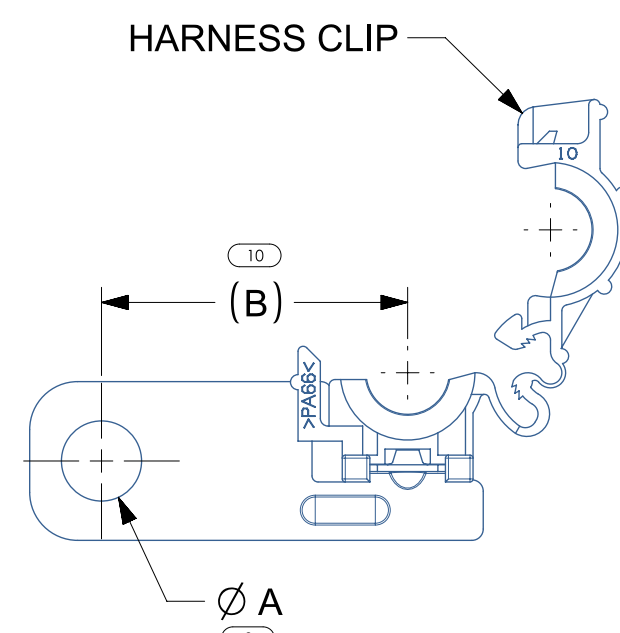
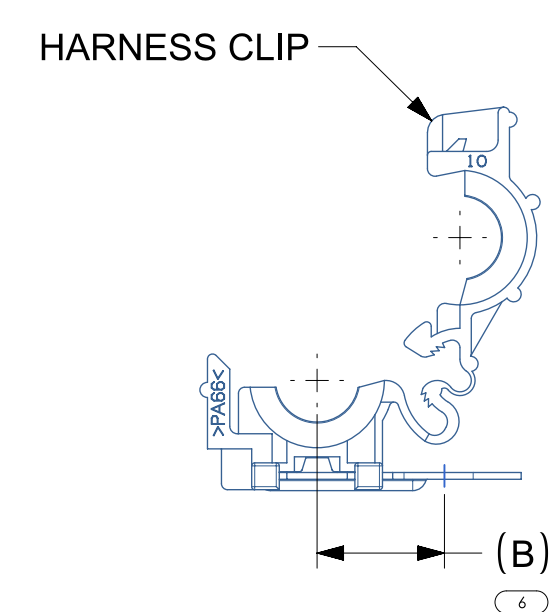
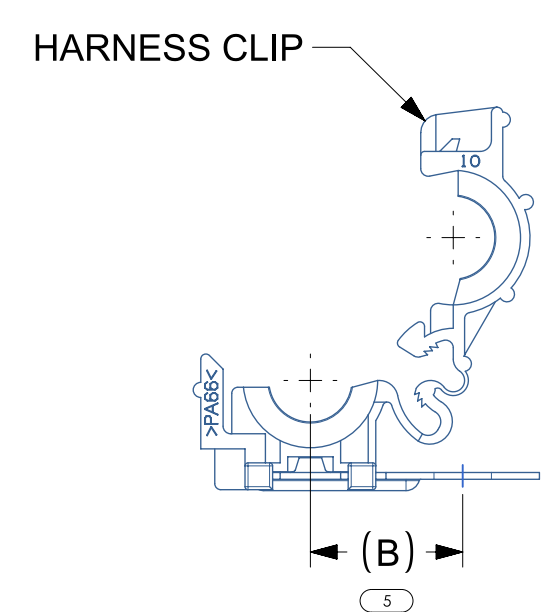
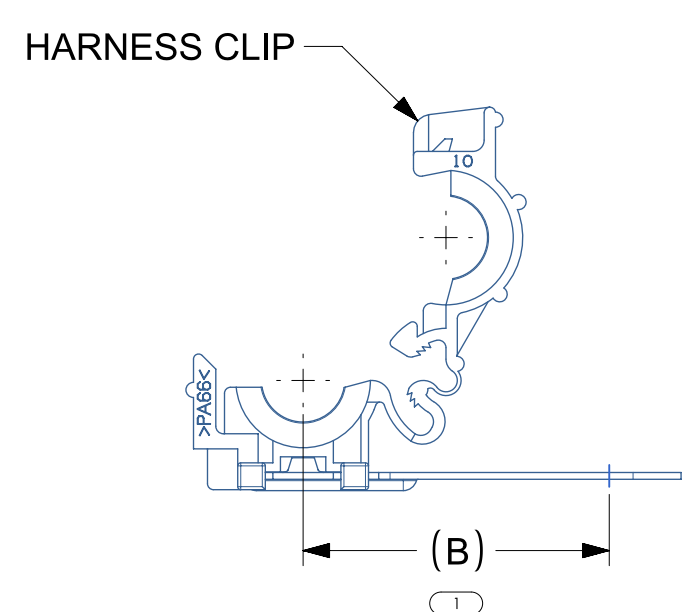
ISOMETRIC VIEW



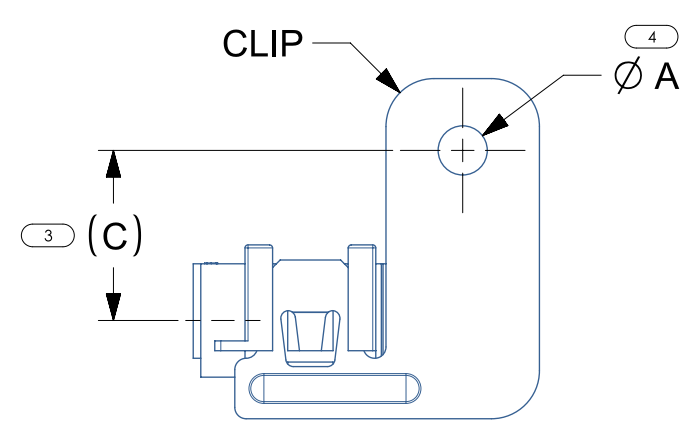
ISOMETRIC VIEW



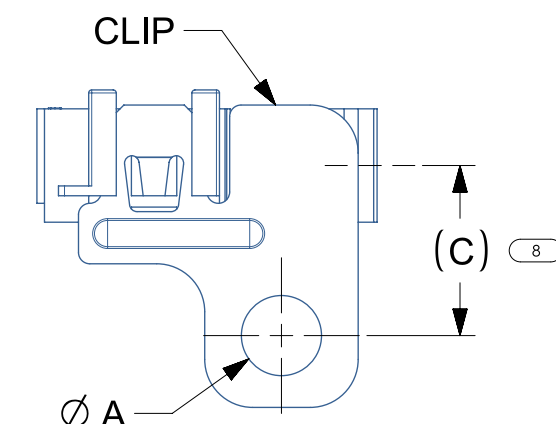
ISOMETRIC VIEW



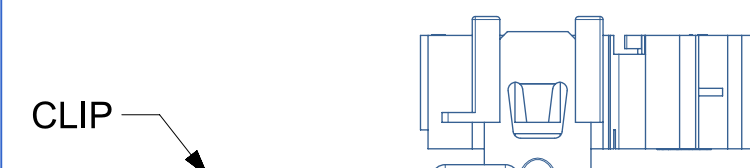
TYPE 101



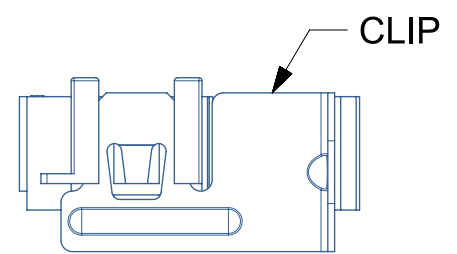
TYPE 102



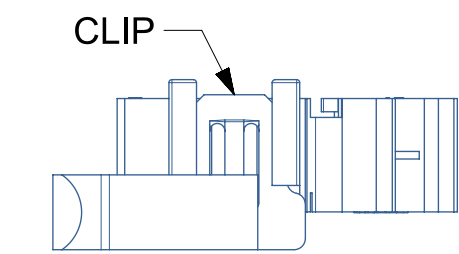
TYPE 103



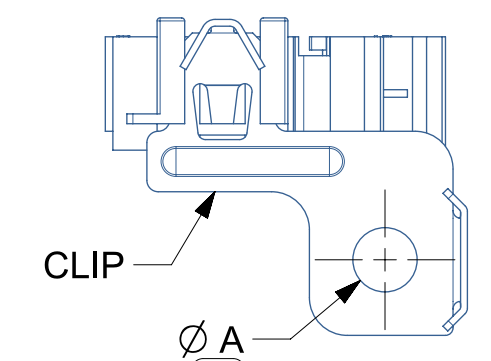
TYPE 104



TYPE 105



TYPE 106



TYPE 107

NOTES:

- UNLESS OTHERWISE SPECIFIED AND/OR INDICATED:
DIMENSIONS ARE TO FACE OF VIEW SHOWN AND AUTOMATICALLY ROUNDED BY COMPUTER FOR INSPECTION (SEE MATH MODEL FOR PRECISE DIMENSIONS). FOR ALL OTHER DIMENSIONS NOT SHOWN, BUT REQUIRED FOR TOOL BUILD, SEE MATH MODEL FOR PRECISE TOOL PATH DATA.
- OBsolete part(s) contain a hexavalent chrome coating, do not use this part on new applications, hexavalent chrome is a band substance. If this part is required for current or future business or for service requirements, contact the product line engineer of materials engineering to get a new part that is free from hexavalent chrome. July 1, 2007 for service requirements.
- This product is not categorized as an appearance item. Minor imperfections including, but not limited to, flow marks, color blemishes, gate vestiges, and soft flash that do not affect the fit, form, or function of the part are permissible per spec: S-QA-10.3-9

TYPE	ASSY	PART NUMBER	HARNESS CLIP	CLIP	MOUNTING BOLT	Ø A	B	C
101	17-2096	15495737	15304667	15477653	M10	10.6±0.1	40.5	
101	17-2099	15495767	15304667	15477665	M6	6.5±0.1	40.5	
102	17-2093	13548354	15304667	15477659	M6	6.5±0.1	20.15	22.0
103	17-2094	13729312	15304667	15477666	M10	10.6±0.1	16.85	22.0
104	17-2098	15495761	15304667	15477664	M10	10.6±0.1	40.5	
105	17-2097	15495756	15304667	15477660	M10	10.6±0.1	26.2	15.9
106	17-2095	13763471	15304667	15495861		20.2 ^{+0.3} _{-0.2}		
106	17-2101	15495852	15304667	15477647		25.0 ^{+0.3} _{-0.2}		
107	17-2100	15495835	15304667	15477671	M8	8.5±0.1	21.5	

DIMENSIONS ENCLOSED IN () INDICATE REFERENCE DIMENSIONS AND NO TOLERANCE LIMITS ARE ESTABLISHED.

THIS DRAWING SUPERCEDES DELPHI DWG: 12034064 REV 23

Material	Units	millimeters	Approved	RJE	08/16/17	Article/Type-No	SEE CHART	Scale	1:1
SEE CHART	Tolerance defined on each dimension	The copyright of this drawing is reserved by HellermannTyton. It is issued on condition that it is not reproduced, copied or disclosed to a third party, either wholly or in part, without the consent of HellermannTyton.	Approved	EJH	08/16/17	Title	TAXI ASM MOUN CLIP - CDT	Project Number	17-2093
HellermannTyton							Production	Phase	Format
North America Email: corp@htamericas.com Web: www.hellermann-tyton.com							17-2093-001-CSU		Sheet 1 / 1