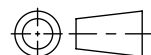
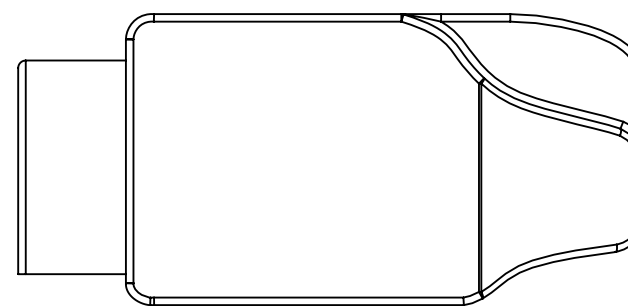
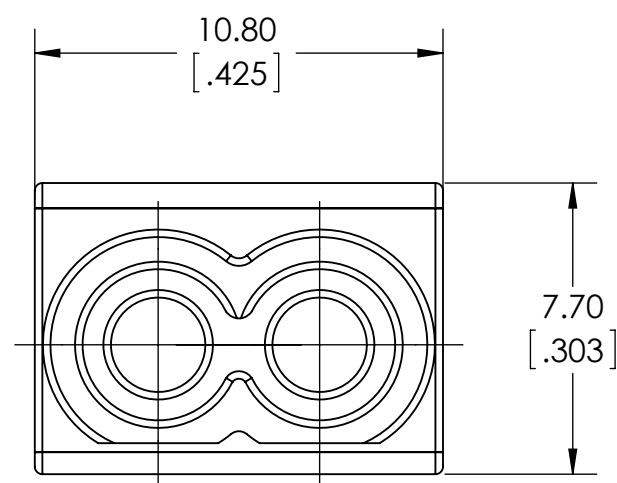
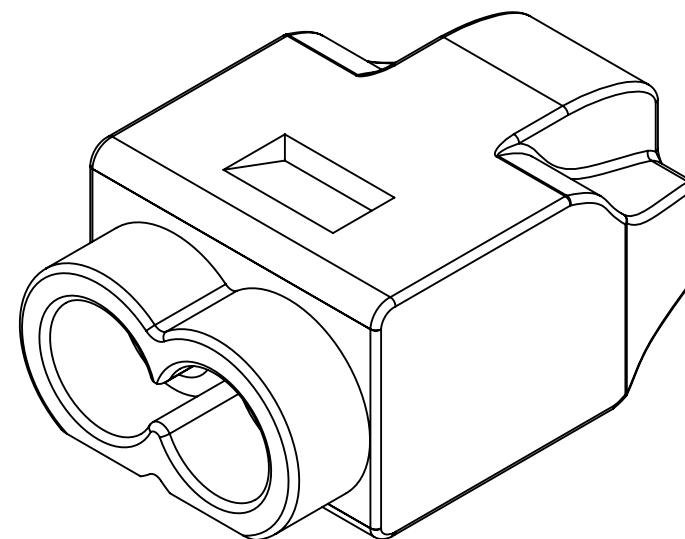
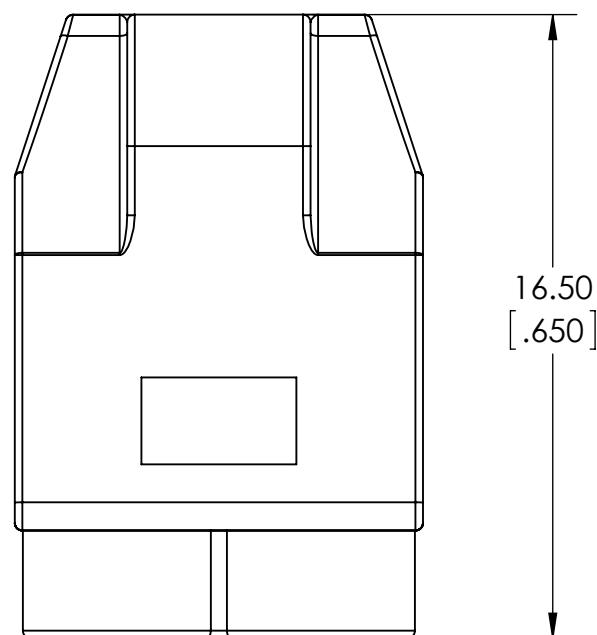


SW2015



Revision level			Revision Record	Changed	Date	Approved	Date
Drawing	State	Part					
00.1	Design Release	-	SEE ECN# 013916	CAS	6/15/2017	KAC	6/15/2017



STRIPPING LENGTH:

11MM(.45 IN)

WIRE RANGE:

22-12 AWG SOLID CU / 22 - 14 AWG STRANDED

0.5 TO 2.5MM² SOLID CU / 1.0 TO 2.5MM² STRANDED

FLAMMABILITY:

UL94 V0

WORKING TEMP:

-30°C (-22°F) TO 85°C (185°F)

VOLTAGE:

450V (VDE) 85°C


600V (CULUS) 105°C

CERTIFICATIONS:

UL E316080

KEMA-KEUR, VDE, FIMKO,

ENEC, CEBC, NEMKO, DEMKO

Notes	Material POLYCARBONATE COLOR: YELLOW	Units: millimeters Dimension without tolerances details to: .xxx = ±.013 .xx = ±.13 .x = ±.3 None = ±.8 ∠ = ±0.5° Dimension Formatted mm/[in]	The copyright of this drawing is reserved by HellermannTyton. It is issued on condition that it is not reproduced, copied, or disclosed to a third party, either wholly or in part, without the consent of HellermannTyton.	Drawn	CAS	6/15/2017	Article/Type-No HCPM-2	Scale	2:1			
				Approved	KAC	6/15/2017		Title	HELACON PLUS MINI PUSH-IN STYLE WIRE CONNECTOR, 2-PORT, YELLOW	Project Number	PRP17-1029	
				 North America Email: corp@htamericas.com Web: www.hellermann.tyton.com			Drawing-No	17-1029-001-CSU		PRODUCTION : Phase	Format	B
							Sheet	1/1				