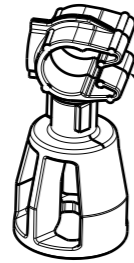
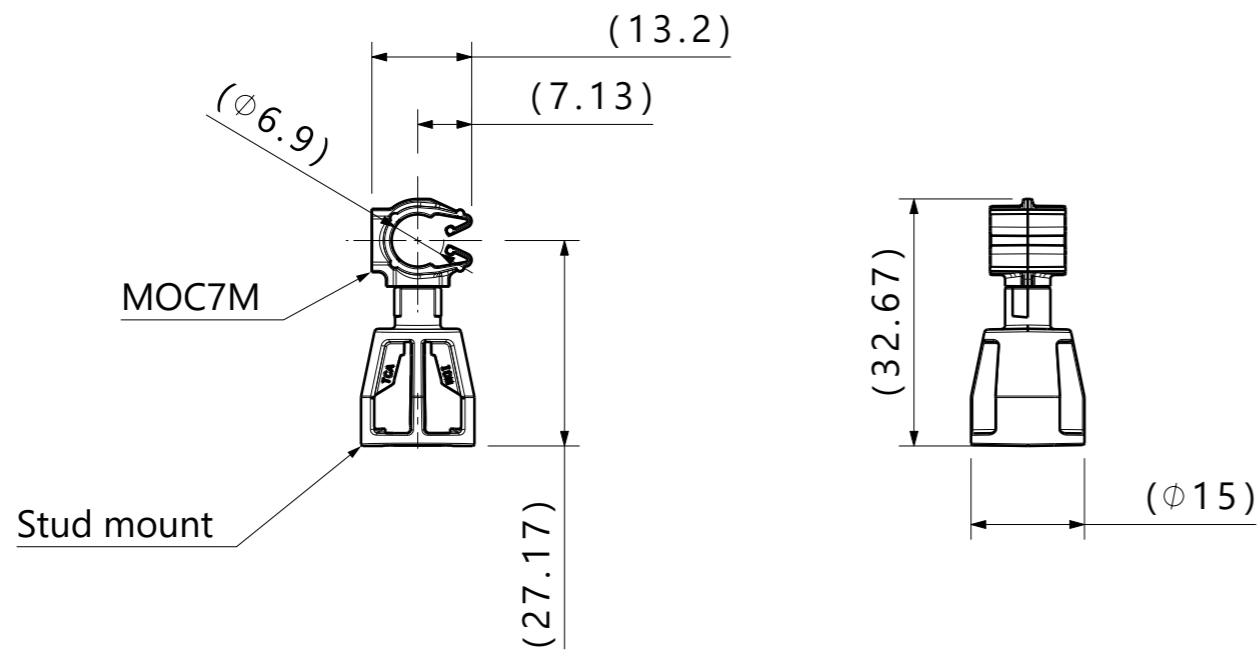
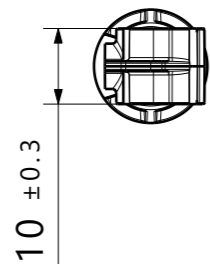


Isometric view



Isometric view
Rotated

Clip rotates
360 degrees



Reference:

Performance requirements at dry as molded:

1. Stud mount push on force: 45 newtons (10 lbf) max on each applicable stud size.
2. Stud mount pull off force: 110 newtons (25 lbf) min on each applicable stud size.

Notes:

1. Material: See chart
2. Material color: See chart
3. Maximum percent regrind permissible: 25%
4. Max allowable flash to be: 0.25mm
5. Max allowable mismatch to be: 0.1mm
6. Applicable stud size:

- A. M5 x 0.8
- B. T5
- C. M6 x 1
- D. T6

* Recommended sizes may differ depending on the application, product requirements, and materials used.

** Rotational orientation of clips upon delivery is not controlled

*** Patent: US D840,799 S, EU 003864313, CN 304373914 S

Diameter Range*		
Harness	Hose	Hard Pipe/ Tube
6.5mm-7.5mm	6.0mm-7.5mm	7.0mm-8.0mm

Global Part Description	MOC7M***			Stud Mount		
	Drawing	Material	Color	Drawing	Material	Color
SMFMOC7M-PA66HIRHSUV-BK	16-0315-000-CSU	PA66HIRHSUV	Black	19-0295-001-CSU	PA66HIRHSUV	Black

Revision Level			Revision Record		The copyright of this drawing is reserved by HellermannTyton.	Drawn	Date (YYYY/MM/DD)	Title	Scale	
Drawing	State	Part	ECN 016567			All drawing revisions are stored in CAD PDM database	Klos		2021/09/22	MOC7M coupled with a M5/M6 stud mount
00.0	Design Release	-			Approved		Date (YYYY/MM/DD)		Global Project Number	
Changed	Date (YYYY/MM/DD)				Units mm	Karabon	2021/09/22	Drawing-No 19-1640-001-CSU	19-1640	
Klos	2021/09/22					HellermannTyton www.HellermannTyton.com			Format	
Approved	Date (YYYY/MM/DD)								A3	
Karabon	2021/09/22								Sheet	
								1 / 1		