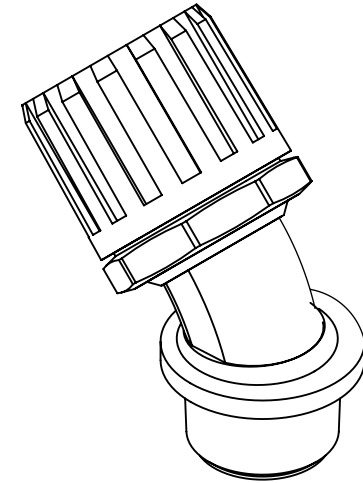
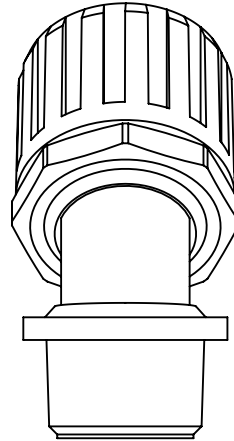
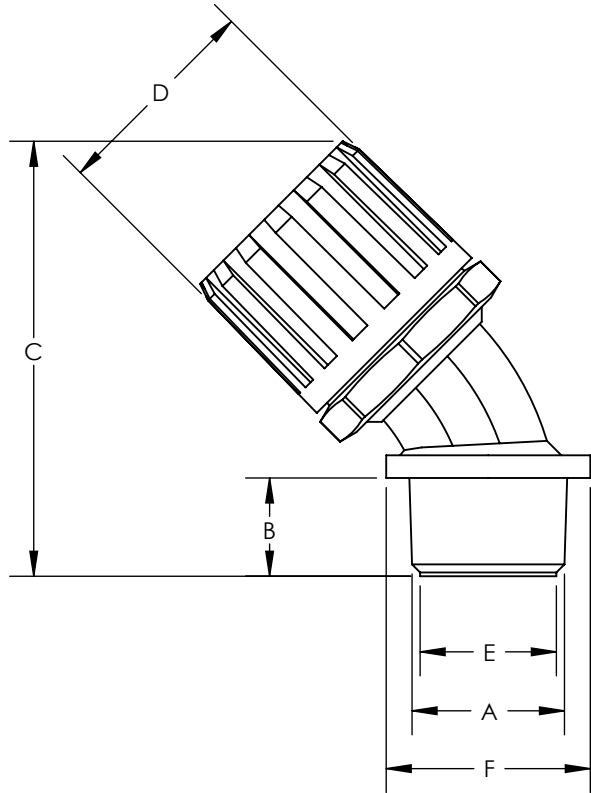


SW2014



Revision level			Revision Record	Changed	Date	Approved	Date
Drawing	State	Part					
00.0	Design Release		SEE ECN# 013597	GRW	10/25/2016	KAC	10/25/2016



Conduit Size		Euro Size	HellermannTyton Part Number	Manufacturer Reference Number	NPT Thread	Dimension (mm)									
in.	mm	(NW)				A	B		C		D		E		F (A/F)
					in.	mm	in.	mm	in.	mm	in.	mm	in.	mm	
3/8	16	12	HG038-45-0500	FPA16-050-45	1/2 NPT	0.51	13	1.77	45	1.14	29	0.55	14.0	1.06	27
1/2	21	16	HG050-45-0500	FPA21-050-45	1/2 NPT	0.51	13	1.89	48	1.26	32	0.55	14.0	1.06	27
3/4	28	20	HG075-45-0750	FPA28-075-45	3/4 NPT	0.59	15	2.28	58	1.73	44	0.75	19.0	1.26	32
1.00	34	25	HG100-45-1000	FPA34-100-45	1 NPT	0.63	16	2.56	65	2.01	51	0.96	24.5	1.57	40
1.50	54	30	HG150-45-1500	FPA54-150-45	1-1/2 NPT	0.63	16	3.54	82	2.99	63	1.54	39.0	2.36	60

Material  
PA66

Units: **inches**  
 Dimension without tolerances details to:  
 .xxxx = ±.0005  
 .xxx = ±.005  
 .xx = ±.01  
 .x = ±.03  
 None = ±.06  
 < = ±0.5°  
 Dimension Formatted in [mm]

The copyright of this drawing is reserved by HellermannTyton. It is issued on condition that it is not reproduced, copied, or disclosed to a third party, either wholly or in part, without the consent of HellermannTyton.

Drawn GRW 10/25/2016  
 Approved KAC 10/25/2016  
**HellermannTyton**  
 North America  
 Email: corp@htamericas.com  
 Web: www.hellermann.tyton.com

Article/Type-No HG-45 SERIES  
 Title **HELAGUARD 45 DEGREE NYLON ELBOW FITTING, NPT THREAD, IP66**  
 Drawing-No PRODUCTION : Phase  
**15-0827-001-CSU**

Scale 1:1  
 Project Number PRP 15-0827  
 Format AH  
 Sheet 1/1