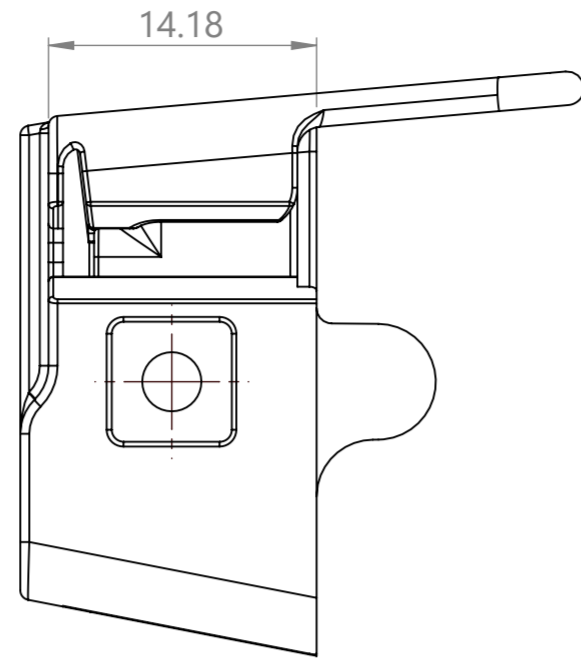
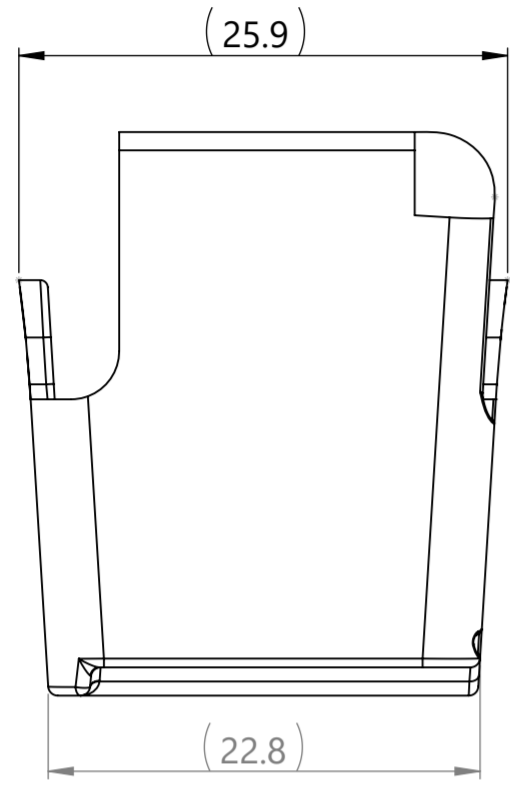
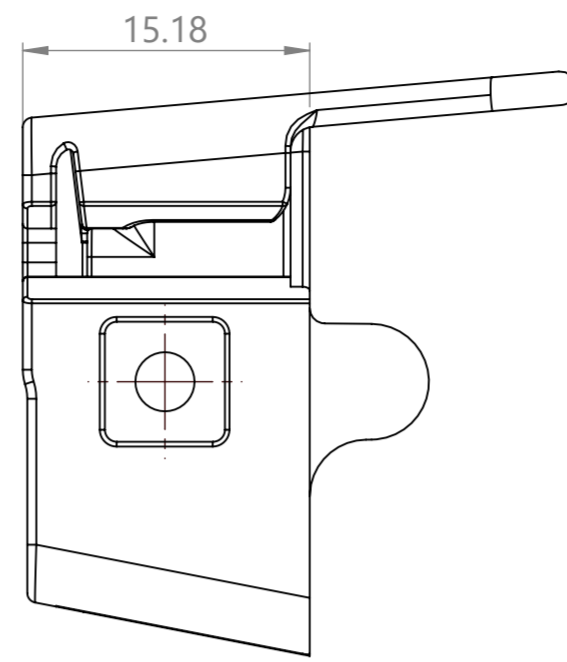


Alternate Nosepieces



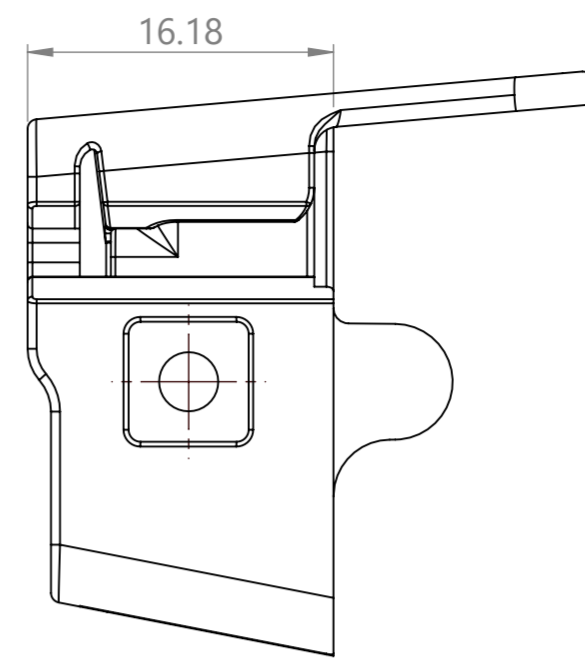
STANDARD

UNS Number: 104-10030



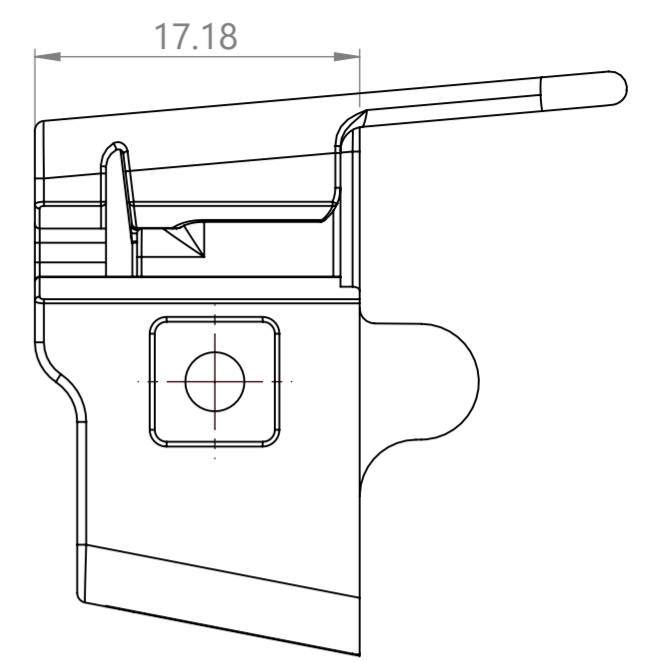
1MM OFFSET

UNS Number: 104-10126



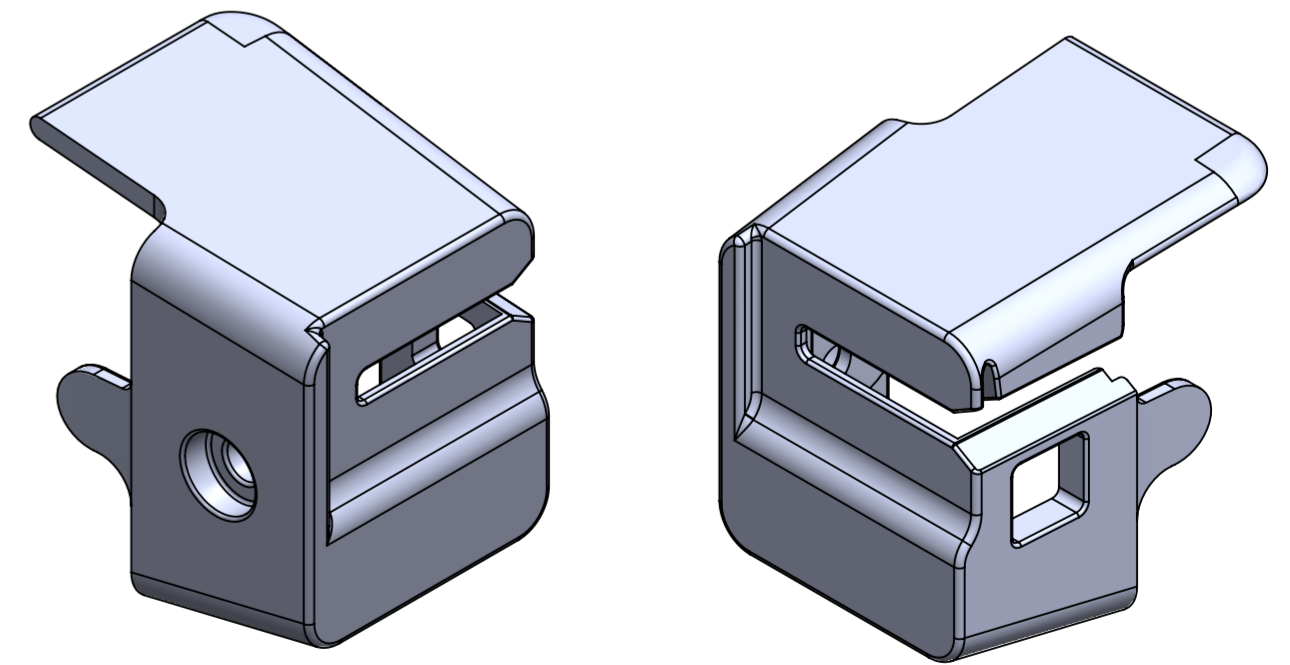
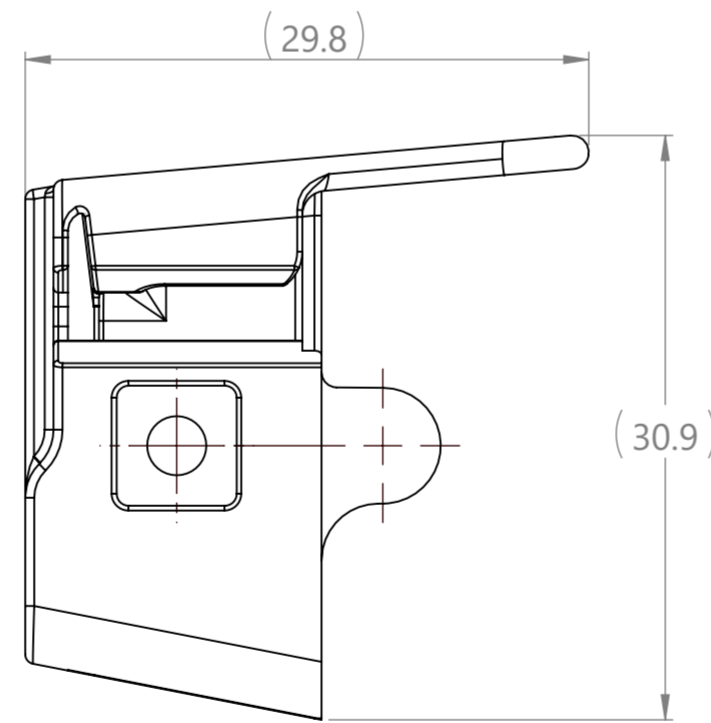
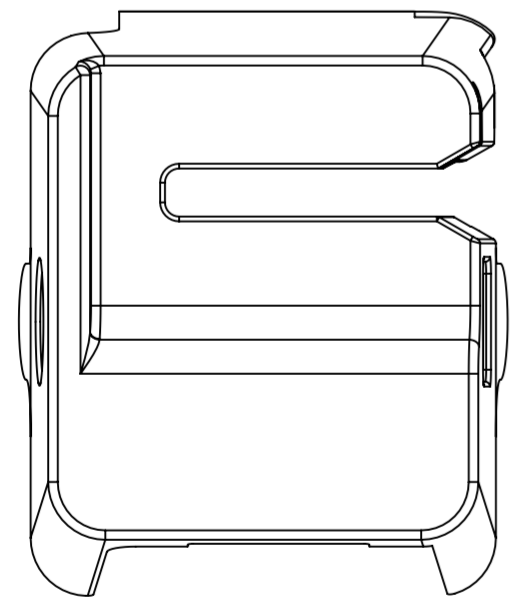
2MM OFFSET

UNS Number: 104-10127



3MM OFFSET

UNS Number: 104-10128



Revision level			Revision Record	
Drawing	State	Part		
01.2	Design Release	-		
Changed	Date (YYYY/MM/DD)			
Walter	2024/07/08			
Approved	Date (YYYY/MM/DD)			
Neitzell	2024/07/08			

The copyright of this drawing is reserved by HellermannTyton.

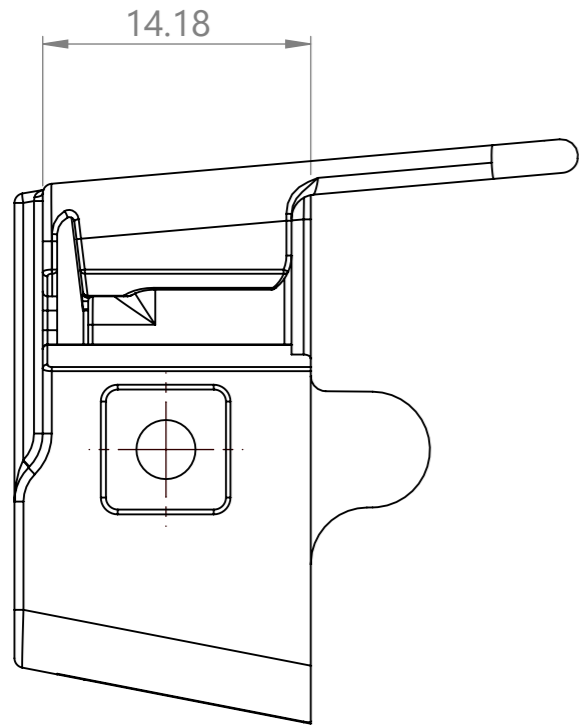
Drawn: Walter, Date: 2023/04/28
 Approved: Neitzell, Date: 2023/04/28

Units: **mm**

HellermannTyton
www.HellermannTyton.com

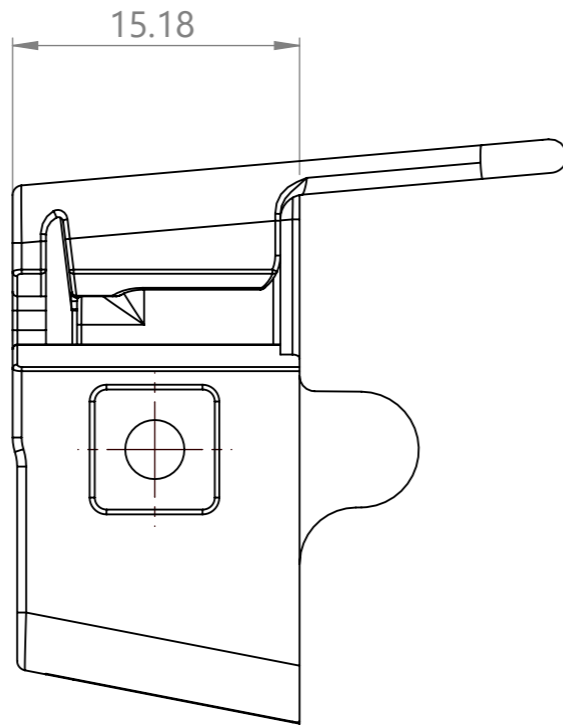
Title: Procut Nosepiece Customer Drawing		Scale: 2.5:1
Drawing-No: 18-2353-200-CSU		Global Project Number: 18-2353
Format: A2		Sheet: 1/2

01



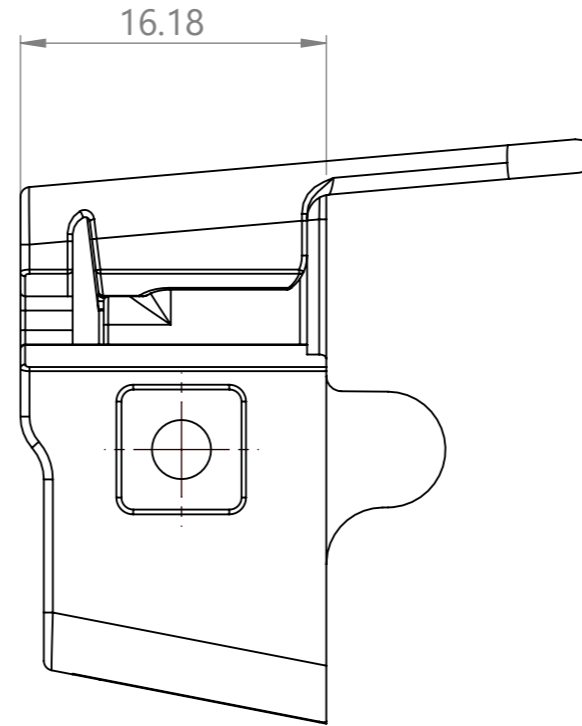
STANDARD

Manufacturing Part Number:
18-2353-200-001



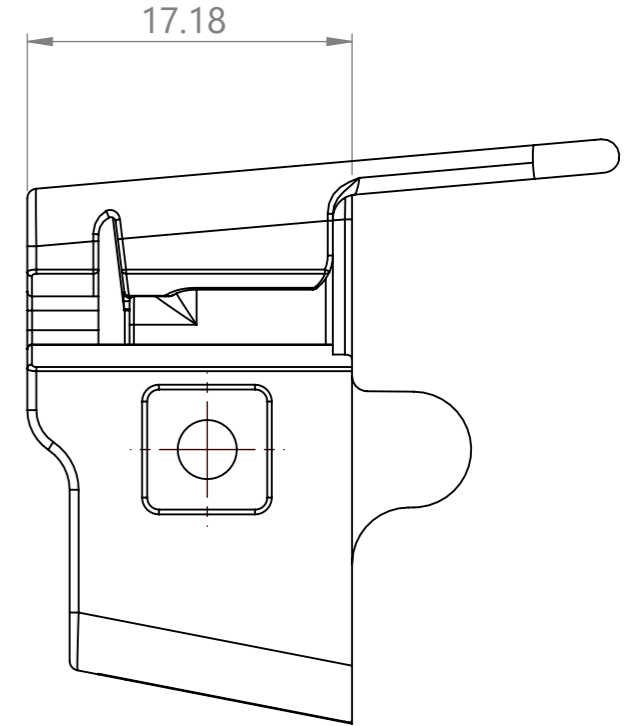
1MM OFFSET

Manufacturing Part Number:
18-2353-200-010



2MM OFFSET

Manufacturing Part Number:
18-2353-200-020



3MM OFFSET

Manufacturing Part Number:
18-2353-200-030

Revision level			Revision Record		 The copyright of this drawing is reserved by HellermannTyton.	Drawn	Date (YYYY/MM/DD)	Various Title Procut Nosepiece Customer Drawing	Scale
Drawing	State	Part	311303			 All drawing revision are stored in CAD PDM database	Walter		2023/04/28
01.2	Design Release	01			Approved		Date (YYYY/MM/DD)	Global Project Number	
Changed	Date (YYYY/MM/DD)				Neitzell		2023/04/28	18-2353	
Walter	2024/07/08						Format	A3	
Approved	Date (YYYY/MM/DD)				Units			Sheet	2/2
Neitzell	2024/07/08				mm	HellermannTyton www.HellermannTyton.com			