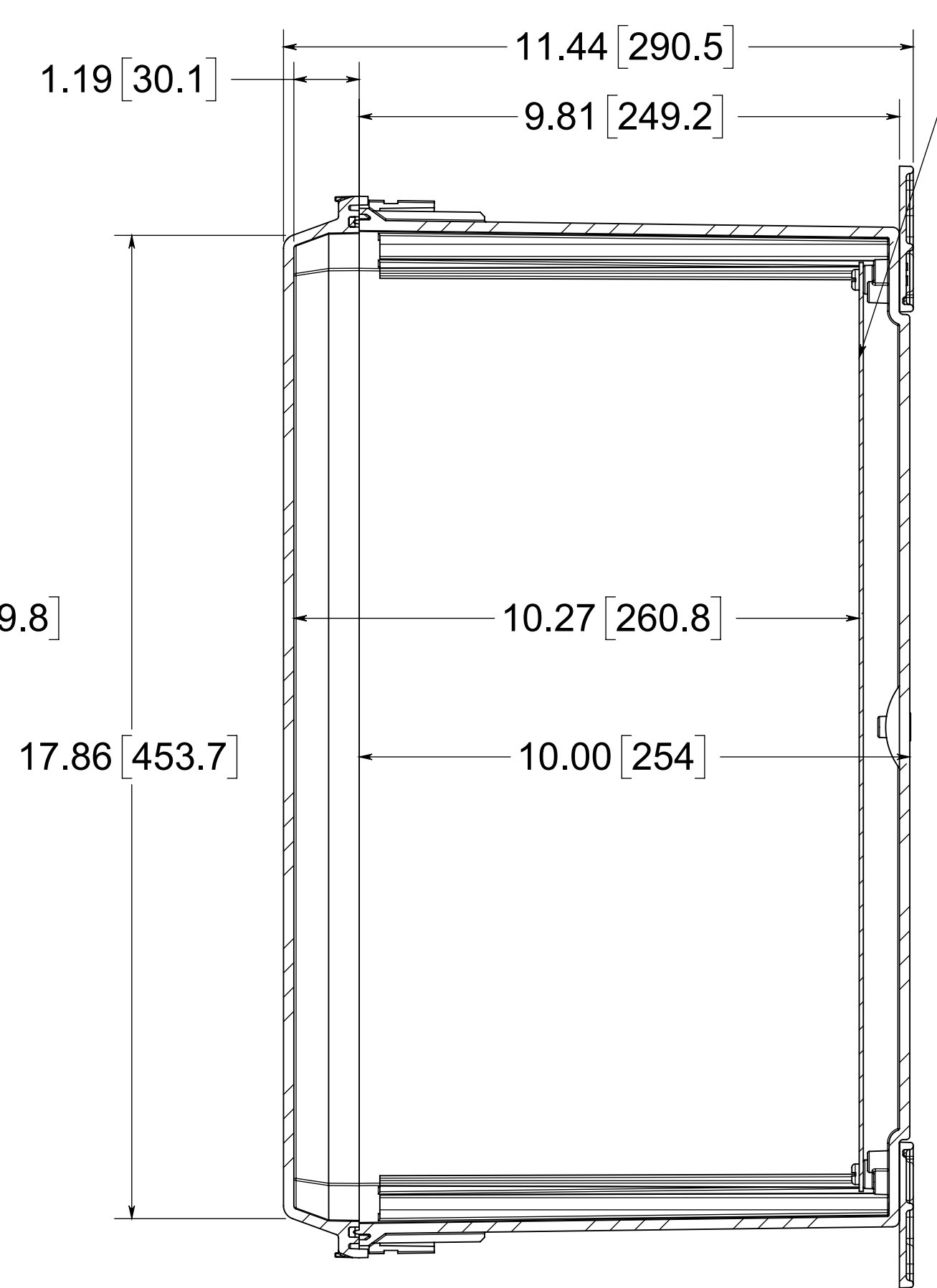
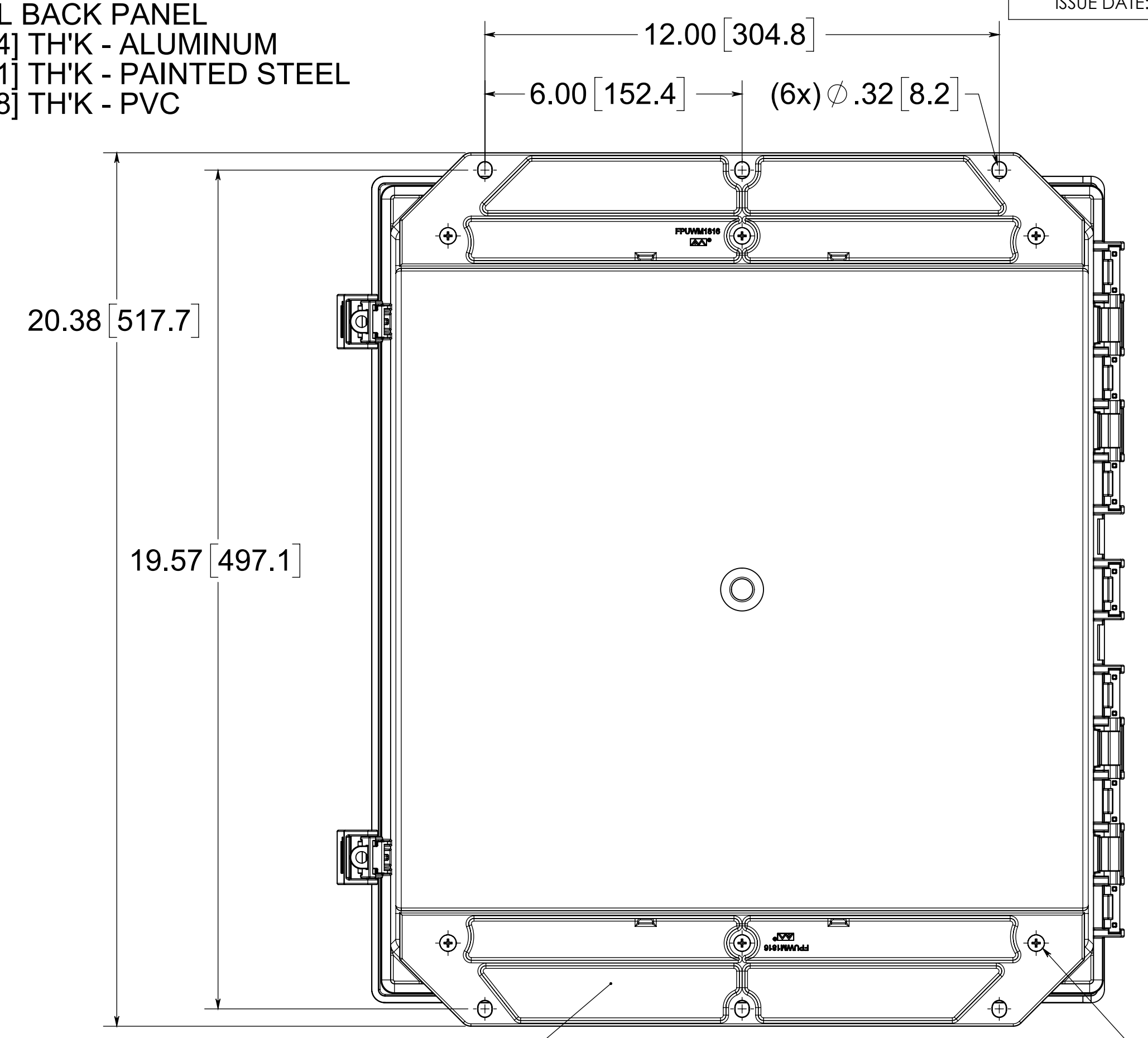


(4X) SNAP-IN  
POLYCARBONATE  
HINGE KNUCKLE



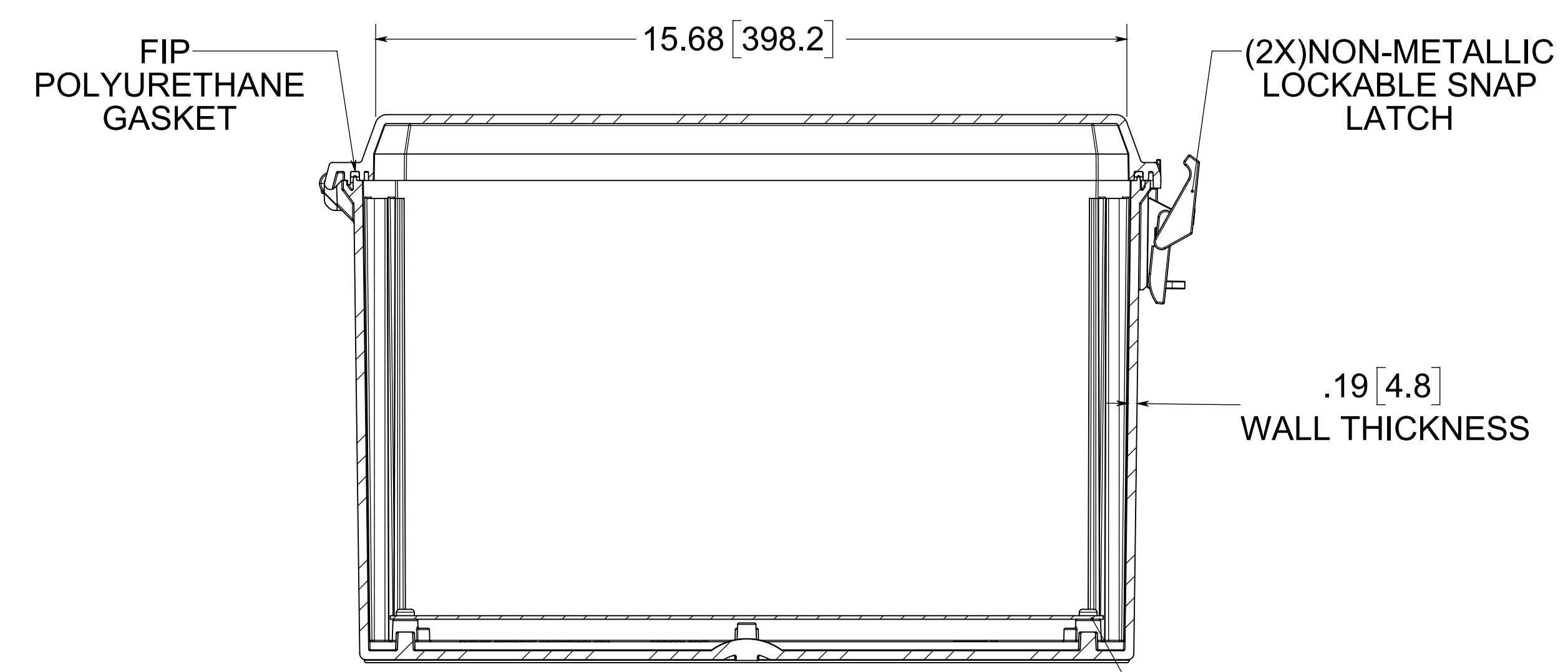
SECTION D-D

OPTIONAL BACK PANEL  
0.100 [2.54] TH'K - ALUMINUM  
0.075 [1.91] TH'K - PAINTED STEEL  
0.188 [4.78] TH'K - PVC



(2X) POLYCARBONATE  
FLANGE (GLUED)

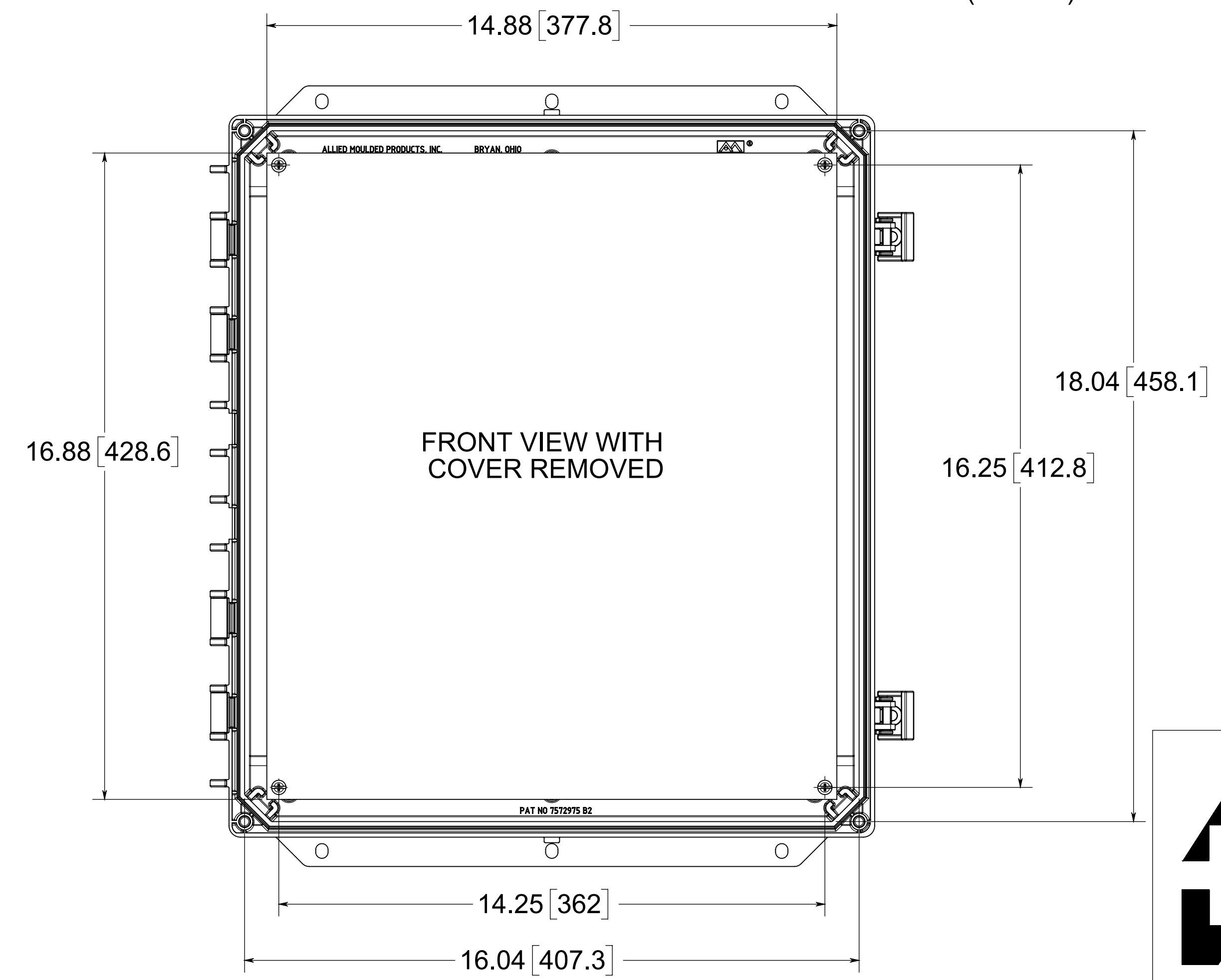
(6X) #10-32 BRASS INSERTS  
316 STAINLESS STEEL FLANGE  
AND FEET SCREWS



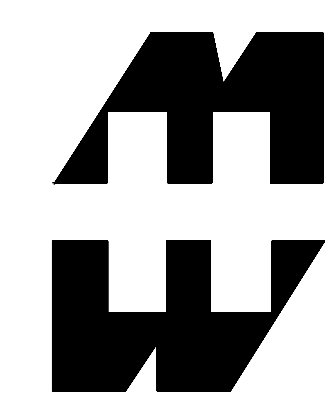
SECTION C-C

MATERIAL:  
BOX: INJECTION POLYCARBONATE  
STANDARD COVER: INJECTION POLYCARBONATE  
CLEAR COVER: INJECTION POLYCARBONATE

(4X) #10-32 BRASS  
INSERTS AND PLATED  
CARBON STEEL SCREWS



FRONT VIEW WITH  
COVER REMOVED



PART No. PCJ181610NLF

for more information visit  
[www.hammfg.com](http://www.hammfg.com)  
Data subject to change without notice  
Drawing Not to Scale